



spritzer

INSTRUCTIONS GUIDE | GUIDA ALLE ISTRUZIONI | GUIDE D'INSTRUCTIONS | BETRIEBSANLEITUNG | GUÍA DE INSTRUCCIONES | GUIA DE INSTRUÇÕES | HANDLEIDING | INSTRUKTIONSVEJLEDNING | ΚΑΥΤΤΟΠΑΣ |
INSTRUKTIONSVEJLEDNING | INSTRUKTIONSVEJLEDNING | LEIBBEININGAR | NAVODILA ZA UPORABO | NÁVOD NA POUŽITÍ | NÁVOD K POUŽITÍ | KEZELÉSI UTASÍTÁS | GHID DE INSTRUCȚIUNI | РУКОВОДСТВО С
ИНСТРУКЦИИ | VODIČ ZA UPUTE | ΟΔΗΓΟΣ ΟΔΗΓΙΩΝ | TALIMATLAR KILAVUZU | INSTRUKCJA OBSŁUGI | РУКОВОДСТВО ПО ЭКСПЛУАТАЦИИ | РУКОВОДСТВО ПО ЭКСПЛУАТАЦИИ | インストラクションガイ
ド | 지침 안내 | 지침 안내

FOR INDOOR AND OUTDOOR USE | PER USO INTERNO ED ESTERNO | POUR USAGE INTÉRIEUR ET EXTÉRIEUR | FÜR DEN INNEN- UND AUSSENBEREICH | PARA USO EN INTERIORES Y AL AIRE LIBRE |
PARA USO INTERIOR E EXTERIOR | VOOR BINNEN- EN BUITENGEBRUIK | SISÄ- JA ULKOKÄYTTÖÖN | TIL INDENDØRS OG UDENDØRS BRUG | TIL INDENDØRS OG UDENDØRS BRUG | TIL INDENDØRS
OG UDENDØRS BRUG | IL NOTKUNAR INNAN- OG UTANDYRA | ZA NOTRANJO IN ZUNANJO UPORABO | PRE VNÚTORNÉ A VONKAJŠIE POUŽITIE | PRO VNITŘNÍ I VENKOVNÍ POUŽITÍ | BELTÉRI
ÉS KÜLTÉRI HASZNÁLATRA | PENTRU UZ INTERIOR ȘI EXTERIOR | ЗА ВЪТРЕШНА И ВЪНШНА УПОТРЕБА | ZA UNUTARNJU I VANJSKU UPOTREBU | ΓΙΑ ΕΣΩΤΕΡΙΚΗ ΚΑΙ ΕΞΩΤΕΡΙΚΗ ΧΡΗΣΗ | İÇ VE DIŞ
MEKAN KULLANIMI İÇİN | DO UŻYCIA WEWNĄTRZ I NA ZEWNĄTRZ | ДЛЯ ВНУТРЕННЕГО И НАРУЖНОГО ИСПОЛЬЗОВАНИЯ | ДЛЯ ВНУТРЕННЕГО И НАРУЖНОГО ИСПОЛЬЗОВАНИЯ | 屋内・屋外
兼用 | 실내 및 실외용

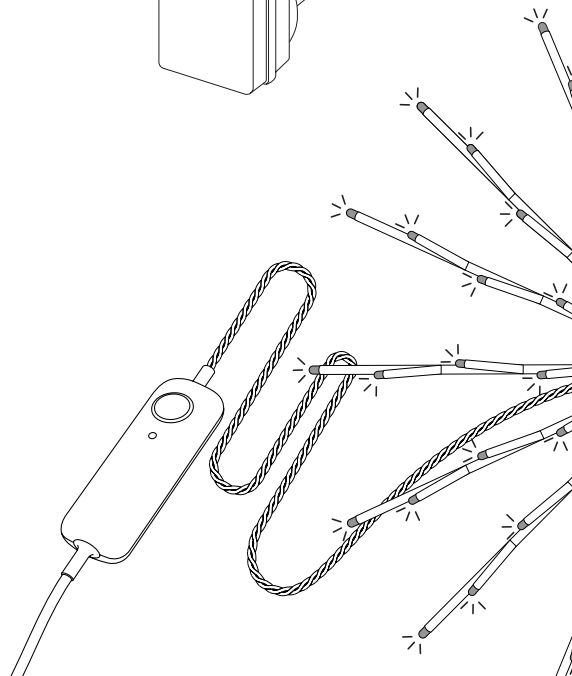
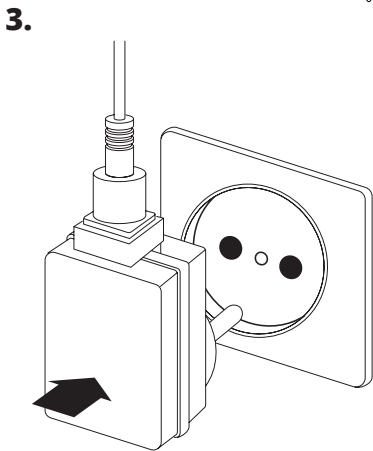
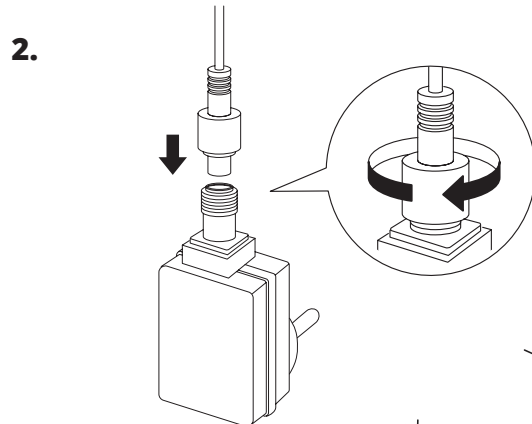
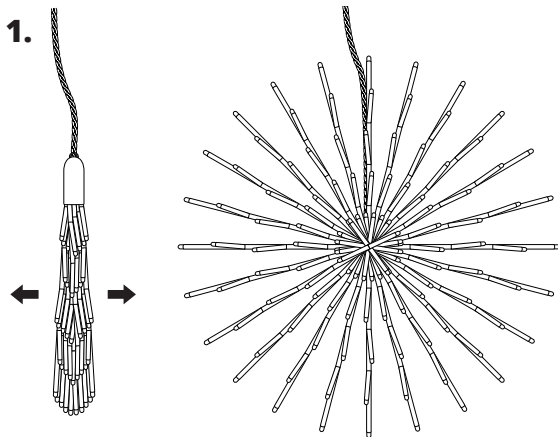
LEDWORKS S.R.L.
Via Tortona, 37 - 20144
Milano - Italy



DOWNLOAD THE TWINKLY APP AND FOLLOW THE SETUP PROCESS IN THE APP | SCARICATE L'APP TWINKLY E SEGUITE LA PROCEDURA DI CONFIGURAZIONE NELL'APPLICAZIONE | TÉLÉCHARGEZ L'APPLICATION TWINKLY ET SUIVEZ LE PROCESSUS D'INSTALLATION DANS L'APPLICATION. | LADEN SIE DIE TWINKLY-APP HERUNTER UND FOLGEN SIE DEM EINRICHTUNGSPROZESS IN DER APP | DESCARGA LA APLICACIÓN TWINKLY Y SIGUE EL PROCESO DE CONFIGURACIÓN DE LA APLICACIÓN | DESCARREGAR A APLICAÇÃO TWINKLY E SEGUIR O PROCESSO DE CONFIGURAÇÃO NA APLICAÇÃO | DOWNLOAD DE TWINKLY APP EN VOLG HET INSTALLATIEPROCES IN DE APP | DOWNLOAD TWINKLY-APPEN, OG FØLG OPSÆTNINGSPROCESSEN I APPEN | LATAA TWINKLY-SOVELLUS JA NOUDATA SOVELLUKSEN ASENNUSPROSESSIA | LADDA NER TWINKLY-APPEN OCH FÖJ INSTALLATIONSPROCESSEN I APPEN | LAST NED TWINKLY-APPEN OG FØLG INSTALLASJONSPROCESSEN I APPEN | SÆKTU TWINKLY APPID OG FYLGDU UPPSETNINGARFERLINU Í APPINU | PRENESITE APLIKACIJO TWINKLY IN SLEDITE POSTOPKU NAMESTITVE V APLIKACIJI | STIAHNITE SI APLIKÁCIU TWINKLY A POSTUPUJTE PODLA POSTUPU NASTAVENIA V APLIKÁCIÍ | STÁHNĚTE SI APLIKACI TWINKLY A POSTUPUJTE PODLE POSTUPU NASTAVENÍ V APLIKACI | TÖLTSE LE A TWINKLY ALKALMAZÁST, ÉS KÖVESSE A BEÁLLÍTÁSI FOLYAMATOT AZ ALKALMAZÁSBAN | DESCĂRCĂȚI APLICĂȚIA TWINKLY ȘI URMAȚI PROCESUL DE CONFIGURARE DIN APLICĂȚIE | ИЗТЕГЛЕТЕ ПРИЛОЖЕНИЕТО TWINKLY И СЛЕДВАЙТЕ ПРОЦЕСА НА НАСТРОЙКА В ПРИЛОЖЕНИЕТО | PREUZMI TE TWINKLY APLIKACIJU I SLIJEDITE POSTUPAK POSTAVLJANJA U APLIKACIJI | KATEBAZTE THN ΕΦΑΡΜΟΗ TWINKLY ΚΑΙ ΑΚΟΛΟΥΘΗΣΤΕ ΤΗ ΔΙΑΔΙΚΑΣΙΑ ΕΓΚΑΤΑΣΤΑΣΗΣ ΣΤΗΝ ΕΦΑΡΜΟΗ | TWINKLY UYGULAMASINI INDIRIN VE UYGULAMADAKI KURULUM SÜRECİNİ TAKIP EDİN | ROBIERZ APLIKACJĘ TWINKLY I POSTĘPŲ ZGODNIE Z PROCESEM KONFIGURACJI W APLIKACJI | ЗАВАНТАЖИТИ ДОДАТОК TWINKLY ТА СЛІДУВАТИ ПРОЦЕСУ НАЛАШТУВАННЯ В ДОДАТКУ | ЗАГРУЗИТЕ ПРИЛОЖЕНИЕ TWINKLY И СЛЕДУЙТЕ ПРОЦЕДУРЕ НАСТРОЙКИ В ПРИЛОЖЕНИИ | TWINKLYアプリをダウンロードし、アプリ内のセットアップ手順に従ってください。 | 트윙클 앱을 다운로드하고 앱에서 설정 과정을 따르세요.

physical setup

PHYSICAL SET-UP / CONFIGURAZIONE FISICA / CONFIGURATION PHYSIQUE / PHYSISCHE EINRICHTUNG / FYSIEKE OPSTELLING / MONTAJE FÍSICO / CONFIGURAÇÃO FÍSICA / FYSISK OPSÆTNING / FYYSINEN KOKOONPANO / FYSISK UPPBYGGNAD / FYSISK OPPSETT / LÍKAMLEG UPPSETNING / FIZIČNA POSTAVITEV / FYZICKÉ NASTAVENIE / FYZICKÉ NASTAVENÍ / FIZIKAI BEÁLLÍTÁS / CONFIGURATIE FIZICĂ / ФИЗИЧЕСКА НАСТРОЙКА / FIZIČKO POSTAVLJANJE / ФУЗИКН ЕГКАТАΣΤΑΣΗ / FIZIKSEL KURULUM / USTAWIENIE FIZYCZNE / ФІЗИЧНЕ НАЛАШТУВАННЯ / ФИЗИЧЕСКАЯ УСТАНОВКА / 物理セットアップ/물리적 설정



- EN** 1. Open your Twinkly Spritzer in all directions, then hang it from a high place.
2. Connect the Twinkly Spritzer to the power adapter.
3. Plug the power adapter into a power socket, and the lights will switch on.
- IT** 1. Apri il tuo Twinkly Spritzer in tutte le direzioni e appendilo in un posto alto.
2. Collega Twinkly Spritzer all'alimentatore.
3. Collega l'alimentatore a una presa di corrente e le luci si accenderanno.
- FR** 1. Ouvrez votre Twinkly Spritzer dans toutes les directions, puis accrochez-le à un endroit élevé.
2. Connectez le Twinkly Spritzer à l'adaptateur secteur.
3. Branchez l'adaptateur secteur dans une prise de courant et les lumières s'allumeront.
- DE** 1. Öffnen Sie Ihren Twinkly Spritzer in alle Richtungen und hängen Sie ihn dann von einer hochgelegenen Stelle auf.
2. Schließen Sie den Twinkly Spritzer an das Netzteil an.
3. Stecken Sie das Netzteil in eine Steckdose und das Licht wird eingeschaltet.
- NL** 1. Open je Twinkly Spritzer in alle richtingen en hang hem hoog op.
2. Sluit de Twinkly Spritzer aan op de voedingsadapter.
3. Steek de voedingsadapter in een stopcontact, de lampjes gaan aan.
- ES** 1. Abre tu Twinkly Spritzer en todas las direcciones, luego cuélgalo de un lugar alto.
2. Conecta el Twinkly Spritzer al adaptador de corriente.
3. Conecta el adaptador de corriente a una toma de corriente y las luces se encenderán.
- PT** 1. Abra o seu Twinkly Spritzer em todas as direcções, depois pendure-o num lugar alto.
2. Ligue os Twinkly Spritzer ao adaptador de energia.
3. Ligue o adaptador de corrente a uma tomada, e as luzes acender-se-ão.
- DA** 1. Åbn din Twinkly Spritzer ud i alle retninger, og hæng den derefter ned fra et højt sted.
2. Tilslut Twinkly Spritzer til strømadapteren.
3. Sæt strømadapteren i en stikkontakt, og lysene tændes.
- FI** 1. Ava Twinkly Spritzer joka suuntaan ja ripusta se sitten korkealle.
2. Liitä Twinkly String virtasovittimeen.
3. Kytkä sovittin pistorasiaan. Valot syttyvät.
- SV** 1. Öppna din Twinkly Spritzer i alla riktningar och häng den från en hög plats.
2. Anslut Twinkly Spritzer till strömadaptern.
3. Anslut strömadaptern till eluttaget så att lamporna tänds.
- NO** 1. Åpne Twinkly Spritzer i alle retninger, og heng det så fra et høyt sted.
2. Koble Twinkly Spritzer til strømadapteren.
3. Koble strømadapteren inn i en stikkontakt, og lysene slås på.
- IS** 1. Opnaðu Twinkly Spritzer í allar áttir og hengdu síðan af háum stað.
2. Tengdu Twinkly Spritzer við straumbreytning.
3. Settu straumbreytningu í samband við innstungu og þá kviknar á ljósumum.
- SL** 1. Odprite Twinkly Spritzer v vse smeri in ga nato obesite na visok položaj.
2. Priključite izdelek Twinkly Spritzer na napajanje.
3. Priključite napajalnik električno utičnico in lučke se bodo prižgale.
- SK** 1. Otvorte Twinkly Spritzer vo všetkých smeroch, potom ho zaveste z vyvýšeného miesta.
2. Pripojte Twinkly Spritzer k napájaciemu adaptéru.
3. Zapojte napájací adapter do elektrickej zásuvky a svetlá sa rozsvetia.
- CS** 1. Otevřete Twinkly Spritzer do všech směrů. Pak jej zavěste na vyvýšené místo.
2. Připojte Twinkly Spritzer k napájecímu adaptéru.
3. Zapojte napájecí adapter do elektrické zásuvky a světla se rozsvítí.
- HU** 1. Nyissa ki a Twinkly Spritzert minden irányba, majd akassza fel egy magas helyre.
2. Csatlakoztassa a Twinkly Spritzer et a hálózati adapterhez.
3. Dugja be a hálózati adaptert egy csatlakozóaljzatba, és a lámpák kigyulladnak.
- RO** 1. Deschide Twinkly Spritzer în toate direcțiile, apoi atârna-l de undeoa de sus.
2. Conectează Twinkly Spritzer la adaptorul de alimentare.
3. Conectează adaptorul de alimentare la o priză și luminile se vor aprinde.
- BG** 1. Отворете Twinkly Spritzer във всички посоки, след което го окачете някъде над главата.
2. Съвържете Twinkly Spritzer към захранващия адаптер.
3. Включете захранващия адаптер в електрически контакт и светлините ще се включат.
- HR** 1. Otvorite Twinkly Spritzer u svim smjerovima, a zatim ga objesite odnekud iznad.
2. Povežite Twinkly Spritzer na adapter za napajanje.
3. Priključite adapter za napajanje u utičnicu i svjetla će se uključiti.
- GR** 1. Ανοίξτε το Twinkly Spritzer προς όλες τις κατευθύνσεις και, στη συνέχεια, κρεμάστε το από κάποιο ψηλό.
2. Συνδέστε τα Twinkly Spritzer στον προσαρμογέα ρεύματος.
3. Συνδέστε τον προσαρμογέα ρεύματος σε μια πρίζα και τα φώτα θα αναφύουν.
- TR** 1. Twinkly Spritzer'i her yöne doğru açın, ardından başınızın üzerinde bir yere asın.
2. Piritili İpleri güç adaptörüne bağlayın.
3. Güç adaptörünü bir elektrik prizine takın ve ışıklar yanacaktır.
- PL** 1. Otworzyć Twinkly Spritzer we wszystkich kierunkach, następnie powiesić ją wysoko.
2. Podłączyć produkt do Twinkly Spritzer zasilacza.
3. Podłączyć zasilacz do gniazdzka elektrycznego, światła zaświecą się.
- UA** 1. Розгорніть Twinkly Spritzer в усіх напрямках, а потім звісьте ці вогні з точки кріплення, розташованої на висоті.
2. Під'єднайте Twinkly Spritzer до адаптера живлення.
3. Під'єднайте адаптер живлення до електромережі, і вогні вимкнутьься.
- RU** 1. Расправьте Twinkly Spritzer во всех направлениях, затем прикрепите к высокому месту так, чтобы он свисал вниз.
2. Подключите Twinkly Spritzer к адаптеру питания.
3. Подключите адаптер питания к розетке, чтобы включить гирляндy.
- JP** 1. Twinkly Spritzerを四方に開き、頭上のどこから吊るします。
2. Twinkly Spritzerを電源アダプターに接続します。
3. 電源アダプターをコンセントに差し込み、ライトが点灯します。
- KR** 1. 트윙클리 스프리저를 사방으로 열고 머리 위 어딘가에 걸어주세요.
2. 트윙클리 스트링을 전원 어댑터에 연결합니다.
3. 전원 어댑터를 전원 콘센트에 꽂으면 조명이 켜집니다.

attention

EN Read and follow all safety instructions.

1. READ AND FOLLOW ALL SAFETY INSTRUCTIONS.
2. Do not mount or place near gas or electric heaters, fireplaces, candles, or other similar sources of heat.
3. The external flexible cable or cord of this luminaire cannot be replaced; if the cord is damaged, the luminaire shall be destroyed. The light source of this luminaire is not replaceable; when the light source reaches its end of life the whole luminaire shall be replaced.
4. This article is not suitable for room illumination and it is only for decoration purpose.
5. Do not secure the wiring of the product with staples or nails, or place on sharp hooks or nails.
6. Do not let lamps rest on the supply cord or on any wire.
7. Unplug the product when leaving the house, or when retiring for the night, or if left unattended.
8. This is an electric product — not a toy! To avoid the risk of fire, burns, personal injury, and electric shock it should not be played with or placed where small children can reach it.
9. Do not use this product for other than its intended use.
10. Do not hang ornaments or other objects from the cord, wire, or light string.
11. Do not cover the product with cloth, paper, or any material not part of the product when in use.
12. Do not close doors or windows on the product or extension cords as this may damage the wire insulation.
13. Read and follow all instructions that are on the product or provided with the product.
14. SAVE THESE INSTRUCTIONS.
15. Do not connect the chain to the supply while it is in the packing.
16. Where breakage or damage to lamps occurs the chain must not be used/energised but disposed of safely.
17. The lamps are not replaceable.
18. WARNING – RISK OF ELECTRIC SHOCK IF LAMPS ARE BROKEN OR MISSING. DO NOT USE.

Use and care instructions

- a. When the product is placed on a live tree, the tree should be well maintained and fresh. Do not place on live trees in which the needles are brown or break off easily. Keep the live tree holder filled with water.
- b. If the product is placed on a tree, the tree should be well-secured and stable.
- c. Before using or reusing, inspect the product carefully. Discard any products that have cut, damaged, or frayed wire insulation or cords, cracks in the lamp holders or enclosures, loose connections, or exposed copper wire.
- d. When storing the product, carefully remove the product from wherever it is placed, including trees, branches, or bushes, to avoid any undue strain or stress on the product conductors, connections, and wires.
- e. When not in use, store neatly in a cool, dry location protected from sunlight.
- f. Operation is subject to the following two conditions: (1) this device may not cause interference, and (2) this device must accept any interference, including interference that may cause undesired operation of the device

WARNING - To reduce the risk of fire and electric shock:

- a. Do not install on trees having needles, leaves or branch coverings of metal or materials which look like metal.
- b. Do not mount or support wires in a manner that can cut or damage wire insulation.

Class A Disclaimer: This equipment has been tested and found to comply with the limits for a Class A digital device, pursuant to Part 15 of the FCC Rules. These limits are designed to provide reasonable protection against harmful interference in a residential installation. This equipment generates, uses and can radiate radio frequency energy and, if not installed and used in accordance with the instructions, may cause harmful interference to radio communications. However, there is no guarantee that interference will not occur in a particular installation. If

ATTENTION / ATTENZIONE / ATTENTION / ACHTUNG / ATENCIÓN / ATENÇÃO / AANDACHT / HUOMIO / ВЕМЕРК / OBS / MERK FØLGENDE / ATHUGID / POZOR / UPOZORNENIE / POZOR / FIGYELEM / ATENŢIE / ВНИМАНИЕ / PAŽNJA / ΠΡΟΣΟΧΗ / ΔΙΚΚΑΤ / ATENŢIE / UWAGA / ΥΒΑΦΑ / ВНИМАНИЕ / 注目度 / 관심

this equipment does cause harmful interference to radio or television reception, which can be determined by turning the equipment off and on, the user is encouraged to try to correct the interference by one or more of the following measures:

- Reorient or relocate the receiving antenna.
- Increase the separation between the equipment and receiver.
- Connect the equipment into an outlet on a circuit different from that to which the receiver is connected.
- Consult the dealer or an experienced radio/television technician for help.

Compatibility Disclaimer

Wireless performance is dependent on your device's Bluetooth/WiFi wireless technology, please refer to your device's manufacturer. Ledworks SRL will not be liable for any lost of data or leakages resulting from the use of these devices. Consult the dealer or an experienced radio/television technician for help.



WARNING!

Do not connect the light string to the power supply while it is in the packaging. The connecting cable cannot be repaired or replaced. THE LAMPS ARE NOT REPLACEABLE. The lighting chain must not be used without all gaskets being in place. Lighting chains don't intend for interconnection. Do not connect this light string electrically to devices from another manufacturer. CAUTION! Strangulation hazard. Keep out of reach of young children.



The crossed-out wheeled bin symbol indicates that the item should be disposed of separately from household waste. The item should be handed in for recycling in accordance with local environmental regulations for waste disposal.

The manufacturer, Ledworks Srl, declares that this device complies with the (LVD) 2014/35/EU, (RED) 2014/53/EU, (EMC) 2014/30/EU, (RoHS) 2011/65/EU, (REACH) 1907/2006 directives. The full text of the EU declaration of conformity is available at the following Internet address: www.twinkly.com/certifications

System Requirement

The minimum system requirement for mobile phones are iOS 11 and Android 5 Check the app store for the latest update to ensure the best performance.

Premium grade LED diodes

To ensure high color rendering, Twinkly products only use high-quality LEDs. Twinkly's RGB and RGB+W products are produced according to quality principles and processes that allow us to obtain a high degree of primary color purity. The minimum excitation purity values of the Blue, Green and Red components are shown within the table below.

Bluetooth Licensing

The Bluetooth Bluetooth® word mark and logos are registered trademarks owned by Bluetooth SIG, Inc. and any use of such marks by Ledworks SRL is under license. Other trademarks and trade names are those of their respective owners.

Operating RF for 802.11 b/g/n Wi-Fi / Bluetooth V4.2 BR/EDR/LE

Frequency 2402/2480 Mhz
Max output Power <100mW

Color Purity values

Blue > 90%
Green > 65%
Red > 95%

* values apply only to RGB (STP) and RGBW (SPP) products, not AWW (GOP) products

IT Leggi e segui tutte le istruzioni di sicurezza.

- LEGGI E SEGUI TUTTE LE AVVERTENZE DI SICUREZZA.
- Non montare o collocare il prodotto vicino a riscaldatori a gas o elettrici, caminetti, candele o altre fonti di calore simili.
- Il cavo flessibile esterno di questo apparecchio non può essere sostituito; se il cavo è danneggiato, l'apparecchio deve essere distrutto. La sorgente luminosa di questo apparecchio non è sostituibile; quando la sorgente luminosa giunge a fine vita, l'intero apparecchio deve essere sostituito.
- Questo articolo non è adatto per l'illuminazione degli ambienti ed è solo a scopo decorativo.
- Non fissare il cablaggio del prodotto con graffette o chiodi, o collocarlo su ganci appuntiti o chiodi.
- Non lasciare che le lampadine poggino sul cavo di alimentazione o su qualsiasi filo.
- Scollega il prodotto quando esci di casa, quando vai a dormire o se lo lasci incustodito.
- Questo è un prodotto elettrico, non un giocattolo. Per evitare il rischio d'incendi, ustioni, lesioni personali e scosse elettriche deve essere maneggiato con cautela e collocato in un punto in cui i bambini piccoli non possano raggiungerlo.
- Non utilizzare questo prodotto per un uso diverso da quello previsto.
- Non appendere ornamenti o altri oggetti al cavo o al filo luminoso.
- Non coprire il prodotto con panni, carta o altro materiale che non fa parte del prodotto durante l'uso.
- Non chiudere porte o finestre sul prodotto o prolunghie poiché ciò potrebbe danneggiare l'isolamento dei cavi.
- Leggi e segui tutte le istruzioni indicate sul prodotto o fornite con il prodotto.
- CONSERVA QUESTE ISTRUZIONI.
- Non collegare il filo luminoso alla rete mentre è nella confezione.
- In caso di rottura o danneggiamento delle lampadine, il filo luminoso non deve essere utilizzata/alimentata ma smaltita in modo sicuro.
- Le lampadine non sono sostituibili.
- AVVERTENZA: SE LE LAMPADINE SONO ROTTE O MANCANTI, VI È RISCHIO DI SCOSSA ELETTRICA. NON USARE.

Istruzioni per l'uso e la cura

- Quando il prodotto è posto su un albero vivo, l'albero deve essere ben mantenuto e fresco. Non collocare su alberi vivi in cui gli aghi sono marroni o si spezzano facilmente. Tieni il porta-albero vivo pieno d'acqua.
- Se il prodotto viene posto su un albero, l'albero deve essere ben fissato e stabile.
- Prima dell'uso o del riutilizzo, ispeziona attentamente il prodotto. Elimina tutti i prodotti che hanno l'isolamento o i cavi tagliati, danneggiati o sfiliacati, crepe nei portalampeade o negli involucri, le connessioni allentate o il filo di rame esposto.
- Durante la conservazione del prodotto, rimuovilo con cura da qualsiasi luogo in cui è collocato, compresi alberi, rami o cespugli, per evitare qualsiasi sforzo o sollecitazione eccessiva sui conduttori, sulle connessioni e sui fili del prodotto.
- Quando il prodotto non è in uso, conservalo con cura in un luogo fresco e asciutto, al riparo dalla luce solare.
- Il funzionamento è soggetto alle seguenti due condizioni: (1) il dispositivo non può causare interferenze e (2) deve accettare qualsiasi interferenza, comprese quelle che possono causare un funzionamento indesiderato del dispositivo.

ATTENZIONE - Per ridurre il rischio di incendio e scosse elettriche:

- Non installarlo su alberi con aghi, foglie o rami di metallo o materiali che assomigliano al metallo.
- Non montare o sostenere i fili in modo da tagliare o danneggiare il materiale isolante.

Dichiarazione di non responsabilità di classe A: questa apparecchiatura è stata testata e trovata conforme ai limiti per un dispositivo digitale di Classe A, in conformità alla Parte 15 delle Norme FCC. Questi limiti sono progettati per fornire una protezione ragionevole contro interferenze dannose in un'installazione residenziale. Questa apparecchiatura genera, utilizza e può irradiare energia in radiofrequenza e, se non installata e utilizzata secondo le istruzioni, può causare interferenze dannose alle comunicazioni radio. Tuttavia, non vi è alcuna garanzia che non si verifichino interferenze in una particolare installazione. Se questa apparecchiatura

causa interferenze dannose alla ricezione radio o televisiva, che possono essere determinate spegnendo e riaccendendo l'apparecchio, l'utente è incoraggiato a provare a correggere l'interferenza adottando una o più delle seguenti misure:

- Riorientare o riposizionare l'antenna ricevente.
- Aumentare la separazione tra l'apparecchiatura e il ricevitore.
- Collegare l'apparecchiatura a una presa su un circuito diverso da quello a cui è collegato il ricevitore.
- Consultare il rivenditore o un tecnico radiotelevisivo esperto per assistenza.

Esclusione di compatibilità

Le prestazioni wireless dipendono dalla tecnologia Bluetooth/WiFi del dispositivo; consultare il produttore del dispositivo. Ledworks SRL non sarà responsabile di eventuali perdite di dati o dispersioni derivanti dall'uso di questi dispositivi.

ATTENZIONE!

Non collegare l'illuminazione alla corrente elettrica quando è ancora nella confezione. Il cavo di collegamento non può essere riparato o sostituito. LE LAMPADINE NON SONO SOSTITUIBILI. La catena di luci non può essere utilizzata senza tutte le guarnizioni presenti e intatte. Le catene di luci non possono essere fisicamente collegate tra loro. Non collegare elettricamente questa illuminazione a dispositivi di un altro produttore. ATTENZIONE! Pericolo di strangolamento. Tenere fuori dalla portata dei bambini.



Il simbolo del bidone della spazzatura barrato indica che l'articolo deve essere smaltito separatamente dai rifiuti domestici. L'articolo deve essere consegnato per il riciclaggio in conformità con le normative ambientali locali per lo smaltimento dei rifiuti.

Il fabbricante Ledworks srl dichiara che questo dispositivo è conforme alle direttive (LVD) 2014/35/EU, (RED) 2014/53/EU, (EMC) 2014/30/EU, (RoHS) 2011/65/EU. Il testo completo della dichiarazione di conformità UE è disponibile al seguente indirizzo Internet: www.twinkly.com/certifications

Requisito del sistema

I requisiti minimi di sistema per i telefoni cellulari sono iOS 11 e Android 5 Controlla l'app store per l'ultimo aggiornamento per garantire le migliori prestazioni..

Specifiche Tecniche

Alimentazione: vedi etichetta
Protezione IP: IP44

Diodi LED di qualità premium

Per garantire un'elevata resa cromatica, i prodotti Twinkly utilizzano solo LED di alta qualità. I prodotti RGB e RGB+W di Twinkly sono realizzati secondo principi e processi di qualità che ci consentono di ottenere un alto grado di purezza dei colori primari.

I valori minimi di purezza di eccitazione dei componenti Blu, Verde e Rosso sono riportati nella tabella sottostante.

Licenze Bluetooth

Il marchio e i loghi Bluetooth® sono marchi registrati di proprietà di Bluetooth SIG, Inc. e qualsiasi uso di tali marchi da parte di Ledworks SRL è concesso in licenza. Altri marchi e nomi commerciali appartengono ai rispettivi proprietari.

RF operativo per 802.11 b/g/n Wi-Fi / Bluetooth V4.2 BR/EDR/LE	Valori di purezza del colore
Frequenza 2402/2480 Mhz	Blu > 90%
Potenza massima in uscita <100mW	Verde > 65%
	Rosso > 95%

* I valori si applicano solo ai prodotti RGB (STP) e RGBW (SPP), non ai prodotti AWW (GOP)

FR Lisez et suivez toutes les instructions de sécurité.

- LISEZ ET RESPECTEZ TOUTES LES CONSIGNES DE SÉCURITÉ.
- N'installez pas l'appareil à proximité d'appareils de chauffage au gaz ou électriques, de foyers, de bougies ou d'autres sources de chaleur similaires.
- Le câble flexible externe ou cordon de ce luminaire ne peut pas être remplacé ; si le cordon

est endommagé, le luminaire doit être détruit. La source lumineuse de ce luminaire n'est pas remplaçable ; lorsque la source lumineuse atteint sa fin de vie, le luminaire entier doit être remplacé.

4. Cet article ne convient pas à l'éclairage d'une pièce et n'a qu'un but décoratif.
5. Ne fixez pas les câbles du produit avec des agrafes ou des clous, et ne les placez pas sur des crochets ou des clous pointus.
6. Ne laissez pas les lampes reposer sur le cordon d'alimentation ou sur un fil électrique.
7. Débranchez l'appareil lorsque vous quittez la maison, avant d'aller vous coucher ou s'il est laissé sans surveillance.
8. Ce produit est un appareil électrique, pas un jouet ! Pour éviter les risques d'incendie, de brûlures, de blessures et d'électrocution, il ne doit pas être utilisé pour jouer ou être placé dans un endroit accessible aux jeunes enfants.
9. N'utilisez pas ce produit à d'autres fins que celles auxquelles il est destiné.
10. N'accrochez pas d'ornements ou d'autres objets sur le cordon, le fil électrique ou la guirlande lumineuse.
11. Ne couvrez pas le produit avec du tissu, du papier ou toute autre matière ne faisant pas partie du produit lorsqu'il est utilisé.
12. Ne fermez pas des portes ou des fenêtres sur le produit ou les rallonges électriques car cela pourrait endommager la gaine isolante du fil.
13. Lisez et respectez toutes les consignes indiquées sur le produit ou fournies avec celui-ci.
14. CONSERVEZ CES CONSIGNES.
15. Ne connectez pas la chaîne à l'alimentation lorsqu'elle est dans l'emballage.
16. En cas de bris ou d'endommagement des ampoules, la chaîne ne doit pas être utilisée/sous tension, mais éliminée en toute sécurité.
17. Les lampes ne sont pas remplaçables.
18. AVERTISSEMENT – RISQUE DE CHOC ÉLECTRIQUE SI LES LAMPES SONT CASSÉES OU MANQUANTES. NE PAS UTILISER.

Consignes d'utilisation et d'entretien

- a. Lorsque le produit est placé sur un arbre vivant, l'arbre doit être bien entretenu et en bonne santé. Ne placez pas le produit sur les arbres vivants dont les aiguilles sont de couleur marron ou cassantes. Pensez à remplir d'eau le pot de l'arbre vivant.
- b. Si le produit est placé sur un arbre, l'arbre doit être fixe et stable.
- c. Avant d'utiliser ou de réutiliser le produit, inspectez-le soigneusement. Jetez tout produit dont les câbles ou les cordons ont une gaine isolante entaillée, endommagée ou effilochée, avec des fissures sur les douilles des lampes ou les boîtiers, des raccords desserrés ou du fil de cuivre apparent.
- d. Lors du rangement du produit, retirez soigneusement le produit de l'endroit où il est placé, y compris les arbres, les branches ou les buissons, pour éviter toute déformation ou dégradation des conducteurs, des branchements et des fils du produit.
- e. Lorsqu'il n'est pas utilisé, rangez soigneusement le produit dans un endroit frais et sec, à l'abri de la lumière du soleil.
- f. Le fonctionnement est soumis aux deux conditions suivantes : (1) cet appareil ne doit pas causer d'interférences et (2) cet appareil doit accepter toute interférence, y compris les interférences susceptibles de provoquer un fonctionnement indésirable de l'appareil.

AVERTISSEMENT - Pour réduire le risque d'incendie et de choc électrique :

- a. Ne l'installez pas sur des arbres dont les aiguilles, les feuilles ou les branches sont recouvertes de métal ou de matériaux ressemblant à du métal.
- b. Ne montez pas ou ne soutenez pas les fils d'une manière qui pourrait couper ou endommager l'isolation des fils.

Clause de non-responsabilité de classe A: cet appareil a été testé et déclaré conforme aux limites imposées aux appareils numériques de classe A, conformément à la section 15 des normes FCC. Ces limites sont conçues pour fournir une protection raisonnable contre les interférences nuisibles dans une installation résidentielle. Cet appareil génère, utilise et peut émettre de l'énergie de fréquence radio et, s'il n'est pas installé et utilisé conformément aux instructions, il peut causer des interférences nuisibles aux communications radio. Cependant, rien ne garantit que des interférences ne se produiront pas dans une installation particulière.

Si cet appareil provoque des interférences nuisibles avec la réception de radio ou de télévision, qui peuvent se vérifier en éteignant et en rallumant l'appareil, l'utilisateur est invité à tenter de corriger l'interférence en appliquant l'une ou plusieurs des mesures suivantes:

- Réorientez ou déplacez l'antenne de réception.
- Augmentez la distance entre l'appareil et le récepteur.
- Branchez l'appareil sur une prise d'un circuit différent de celui auquel le récepteur est connecté.
- Consultez le revendeur ou un technicien expérimenté en radio/télévision pour obtenir de l'aide.

Clause de non-compatibilité

La performance sans fil dépend de la technologie sans fil Bluetooth/WiFi de votre appareil, veuillez vous référer au fabricant de votre appareil. Ledworks SRL ne sera pas responsable de toute perte de données ou de fuites résultant de l'utilisation de ces appareils.

AVERTISSEMENT!

Ne connectez pas le prise au support dans le packaging. Le câble connecteur ne peut être remplacé ou réparé. Si le câble est abîmé, l'appareil tout entier doit être remplacé. La chaîne d'éclairage ne doit pas être utilisée si tous les joints ne sont pas en place. Les chaînes d'éclairage ne sont pas destinées à être interconnectées. Ne remplacez pas. Ne connectez pas le produit à un produit d'un autre fabricant. Attention! Danger d'étranglement. Tenez hors de portée des enfants.



Le symbole de la poubelle barrée indique que l'article doit être éliminé séparément des ordures ménagères. L'article doit être déposé pour le recyclage conformément aux réglementations environnementales locales pour l'élimination des déchets.

Le fabricant, Ledworks Srl, déclare que cet appareil est conforme aux directives (LVD) 2014/35/EU, (RED) 2014/53/EU, (EMC) 2014/30/EU, (RoHS) 2011/65/EU. Le texte complet de la déclaration de conformité européenne est disponible à l'adresse Internet suivante: www.twinkly.com/certifications

Configuration requise

La configuration minimale requise pour les smartphones est iOS 11 et Android 5 Recherchez sur l'App Store la dernière mise à jour pour optimiser les performances...

Technical Specifications

Alimentation : voir l'étiquette
Protection IP : IP44

Diodes LED de qualité supérieure

Pour assurer un rendu des couleurs élevé, les produits Twinkly n'utilisent que des LED de haute qualité.

Les produits RVB et RVB+W de Twinkly sont fabriqués selon des principes et des processus de qualité qui nous permettent d'obtenir un haut degré de pureté des couleurs primaires. Les valeurs minimales de pureté d'excitation des composants bleu, vert et rouge sont indiquées dans le tableau ci-dessous.

Licences Bluetooth

La marque verbale et les logos Bluetooth® sont des marques déposées appartenant à Bluetooth SIG, Inc. et toute utilisation de ces marques par Ledworks SRL est sous licence. Les autres marques et noms commerciaux sont ceux de leurs propriétaires respectifs.

RF de fonct. pour le 802.11 b/g/n Wi-Fi / Bluetooth V4.2 BR/EDR/LE	Valeurs de pureté des couleurs
Fréquence 2402/2480 Mhz	Bleu > 90%
Puissance de sortie maximale <100mW	Vert > 65%
	Rouge > 95%

* Les valeurs s'appliquent uniquement aux produits RGB (STP) et RGBW (SPP), mais pas aux produits AWW (GOP)

DE Lesen und befolgen Sie alle Sicherheitshinweise.

1. LESEN UND BEFOLGEN SIE ALLE SICHERHEITSHINWEISUNGEN.
2. Nicht in der Nähe von Gas- oder Elektroheizungen, Feuerstellen, Kerzen oder anderen ähnlichen Wärmequellen anbringen oder platzieren.
3. Das externe flexible Kabel dieser Leuchte kann nicht ersetzt werden; wenn das Kabel beschädigt ist, muss die Leuchte zerstört werden. Die Lichtquelle dieser Leuchte ist nicht austauschbar; wenn die Lichtquelle ihr Lebensende erreicht, muss die gesamte Leuchte ersetzt werden.
4. Dieser Artikel ist nicht zur Raumbelichtung geeignet und dient nur zu Dekorationszwecken.
5. Sichern Sie die Verkabelung des Produkts nicht mit Klammern oder Nägeln und bringen sie nicht auf spitzen Haken oder Nägeln an.
6. Legen Sie keine Lampen auf dem Stromkabel oder anderen Leitungsdrähten ab.
7. Ziehen Sie den Stecker des Produkts, wenn Sie das Haus verlassen, schlafen gehen oder das Produkt unbeaufsichtigt lassen.
8. Dies ist ein elektrisches Produkt – kein Spielzeug! Um die Gefahr von Bränden, Verbrennungen, Verletzungen und Stromschlägen zu vermeiden, darf das Produkt nicht zum Spielen verwendet oder in Reichweite kleiner Kinder platziert werden.
9. Verwenden Sie dieses Produkt ausschließlich für seinen bestimmungsgemäßen Gebrauch.
10. Hängen Sie keine Verzierungen oder anderen Gegenstände an Kabel, Leitungsdraht oder Lichterschmür auf.
11. Bedecken Sie das Produkt während der Verwendung nicht mit Stoff, Papier oder anderen Materialien, die nicht Teil des Produkts sind.
12. Klemmen Sie weder das Produkt noch Verlängerungskabel in Türen oder Fenstern ein, da hierdurch die Kabelisolierung beschädigt werden kann.
13. Lesen und befolgen Sie alle Anweisungen, die sich auf dem Produkt befinden oder mit ihm bereitgestellt werden.
14. BEWAHREN SIE DIESE ANWEISUNGEN AUF.
15. Schließen Sie die Kette nicht an die Stromversorgung an, während sie sich in der Verpackung befindet.
16. Bei Brüchen oder Schäden an den Glühbirnen darf die Kette nicht verwendet / unter Spannung gesetzt werden, sondern muss sicher entsorgt werden.
17. Die Glühbirnen sind nicht austauschbar.
18. WARNUNG – GEFAHR EINES ELEKTRISCHEN SCHOCKS, WENN DIE GLÜHBIRNEN KAPUTT SIND ODER FEHLEN. NICHT VERWENDEN.

Nutzungs- und Pflegehinweise

- a. Wird das Produkt auf einem lebenden Baum angebracht, muss der Baum gut gepflegt und frisch sein. Nicht auf lebenden Bäumen anbringen, deren Nadeln braun sind oder leicht abbrechen. Stellen Sie sicher, dass der Ständer des lebenden Baums stets mit Wasser gefüllt ist.
- b. Wird das Produkt auf einem Baum angebracht, muss der Baum gut gesichert und stabil sein.
- c. Untersuchen Sie das Produkt vor jeder Verwendung und Wiederverwendung sorgfältig. Entsorgen Sie Produkte, die eingeschnitten, beschädigte oder verschlissene Kabel oder Kabelisolierungen, Risse in Lampenhaltern oder Gehäusen, lockere Verbindungen oder freigelegten Kupferdraht aufweisen.
- d. Nehmen Sie das Produkt zur Aufbewahrung vorsichtig von allen Befestigungsstellen wie Bäumen, Zweigen oder Büschen ab, um übermäßige Belastung oder Beanspruchung der Stromleiter, Verbindungen und Kabel des Produkts zu vermeiden.
- e. Wenn das Produkt nicht verwendet wird, bewahren Sie es ordentlich an einem kühlen, trockenen und vor Sonnenlicht geschützten Ort auf.
- f. Der Betrieb unterliegt den folgenden zwei Bedingungen: (1) dieses Gerät darf keine Störungen verursachen, und (2) dieses Gerät muss alle Störungen akzeptieren, einschließlich Störungen, die einen unerwünschten Betrieb des Geräts verursachen können

ACHTUNG – Um die Gefahr von Bränden und Stromschlägen zu reduzieren,

- a. nicht auf Bäumen anbringen, die über Nadeln, Blätter oder Zweigbeläge aus Metall oder Materialien, die wie Metall aussehen, verfügen.
- b. Leitungsdrähte nicht derart anbringen oder stützen, dass die Kabelisolierung eingeschnitten oder beschädigt werden könnte.

Haftungsausschluss der Klasse A: Dieses Gerät wurde getestet und als konform zu den Grenzwerten für digitale Geräte der Klasse A gemäß Teil 15 der FCC-Bestimmungen befunden. Diese Grenzwerte bieten einen angemessenen Schutz gegen Funkstörungen in Wohninstallationen. Dieses Gerät erzeugt, verbraucht und kann Hochfrequenzenergie ausstrahlen. Falls es nicht gemäß den Anweisungen installiert und verwendet wird, kann es Störungen der Funkkommunikation verursachen. Es kann jedoch nicht garantiert werden, dass bei bestimmten Installationen keine Störungen auftreten. Wenn dieses Gerät Funkstörungen beim Radio- oder Fernsehempfang verursacht, was Sie durch Aus- und Einschalten des Geräts feststellen können, sollten Sie versuchen, diese Funkstörungen mit einer oder mehrerer der folgenden Maßnahmen zu beheben:

- Richten Sie die Empfangsantenne neu aus.
- Vergrößern Sie den Abstand zwischen Gerät und Empfänger.
- Schließen Sie das Gerät und den Empfänger an Steckdosen mit verschiedenem Stromkreis an.
- Wenden Sie sich an den Händler oder einen erfahrenen Radio- / Fernstechniker.

Haftungsausschluss für die Kompatibilität

Die drahtlose Leistung hängt von der Bluetooth/WiFi-Funktechnologie Ihres Geräts ab, bitte informieren Sie sich beim Hersteller Ihres Geräts. Ledworks SRL haftet nicht für Datenverluste oder Lecks, die durch die Verwendung dieser Geräte entstehen.

ACHTUNG!

Schliessen Sie die Beleuchtung nicht an, solange sie noch in der Verpackung ist. Das Verbindungskabel kann nicht repariert oder ersetzt werden. Wenn das Kabel beschädigt ist, muss die gesamte Beleuchtung beseitigt werden. DIE GLÜHBIRNE IST NICHT ERSETZBAR. Die Lichterkette darf nicht benutzt werden, wenn nicht alle Dichtungen angebracht sind. Lichterketten sind nicht als Verbindungsstücke gedacht. Verbinden Sie diese Beleuchtung nicht mit anderen Geräten eines anderen Herstellers. ACHTUNG! Gefahr vor Erdrösselung. Hängen Sie sie ausserhalb der Reichweite von Kindern auf.



Das Symbol der durchgestrichenen Mülltonne weist darauf hin, dass das Produkt nicht mit dem normalen Hausmüll entsorgt werden darf. Das Produkt muss gemäß den örtlichen Abfallbestimmungen entsorgt werden.

Der Hersteller, Ledworks Srl, erklärt, dass dieses Gerät den Richtlinien (LVD) 2014/35/EU, (RED) 2014/53/EU, (EMC) 2014/30/EU, (RoHS) 2011/65/EU entspricht. Der vollständige Text der EU-Konformitätserklärung steht unter der folgenden Internetadresse www.twinkly.com/certifications

System Anforderungen

Die minimalen Systemvoraussetzungen für Mobiltelefone sind iOS 11 oder Android 5. Suchen Sie im App Store nach dem neuesten Update, um die beste Leistung sicherzustellen.

Premium-LED-Dioden

Um eine hohe Farbwiedergabe zu gewährleisten, verwenden Twinkly-Produkte ausschließlich hochwertige LEDs.

Die RGB- und RGB+W-Produkte von Twinkly werden nach Qualitätsprinzipien und -prozessen hergestellt, die es uns ermöglichen, einen hohen Reinheitsgrad der Primärfarben zu erzielen.

Die minimalen Erregungsreinheitswerte der blauen, grünen und roten Komponenten sind in der folgenden Tabelle aufgeführt.

Bluetooth-Lizenzierung

Die Bluetooth®-Wortmarke und -Logos sind eingetragene Marken im Besitz von Bluetooth SIG, Inc. und werden von Ledworks SRL unter Lizenz verwendet. Andere Marken und Handelsnamen sind Eigentum ihrer jeweiligen Inhaber.

Betriebsfunk für 802.11 b/g/n Wi-Fi / Bluetooth V4.2 BR/EDR/LE	Farbreinheitswerte
Frequenz 2402/2480 Mhz	Blau > 90%
Maximale Ausgangsleistung <100mW	Grün > 65%
	Rot > 95%

* Die Werte gelten nur für RGB(STP)- und RGBW(SPP)-Produkte, nicht für AWW(GOP)-Produkte

NL Lees en volg alle veiligheidsinstructies op.

1. LEES EN VOLG ALLE VEILIGHEIDSI NSTRUCTIES.
2. Niet monteren of plaatsen in de buurt van gas- of elektrische kachels, open haarden, kaarsen of andere soortgelijke warmtebronnen.
3. De externe flexibele kabel of het snoer van deze armatuur kan niet worden vervangen; als het snoer beschadigd is, moet de armatuur worden vernietigd. De lichtbron van deze armatuur is niet vervangbaar; wanneer de lichtbron het einde van zijn levensduur bereikt, moet de gehele armatuur worden vervangen.
4. Dit artikel is niet geschikt voor kamerverlichting en dient alleen voor decoratie.
5. Zet de bedrading van het product niet vast met netjes of spijkers of plaats deze niet op scherpe haken of spijkers.
6. Laet lampen niet op het netsnoer of op een draad rusten.
7. Haal de stekker uit het stopcontact wanneer u het huis verlaat, wanneer u gaat slapen, of als u er niet bij bent.
8. Dit is een elektrisch product - geen speelgoed! Om het risico op brand, brandwonden, persoonlijk letsel en elektrische schokken te voorkomen, mag er niet mee worden gespeeld en mag het niet geplaatst worden waar kleine kinderen erbij kunnen.
9. Gebruik dit product niet voor andere doeleinden dan waarvoor het is bedoeld.
10. Hang geen versieringen of andere voorwerpen op aan een koord, draad of lichtsnoer.
11. Bedek het product niet tijdens gebruik met een doek, papier of ander materiaal dat geen deel uitmaakt van het product.
12. Sluit geen deuren of ramen op het product of de verlengsnoeren, omdat dit de isolatie van het draad kan beschadigen.
13. Lees en volg alle instructies op het product of die bij het product zijn geleverd.
14. BEWAAR DEZE INSTRUCTIES.
15. Sluit de slinger niet aan op de voeding terwijl deze in de verpakking zit.
16. Bij breuk of beschadiging van lampen mag de slinger niet worden gebruikt/onder spanning worden gezet, maar moet deze op een veilige manier worden weggegooid.
17. De lampen zijn niet vervangbaar.
18. WAARSCHUWING - RISICO OP ELEKTRISCHE SCHOK ALS LAMPEN KAPOT ZIJN OF ONTBREKEN. NIET GEBRUIKEN.

Gebruiks- en onderhoudsinstructies

- a. Wanneer het product op een levende boom wordt geplaatst, moet de boom goed worden onderhouden. Plaats niet op levende bomen waarin de naalden bruin zijn of gemakkelijk afbreken. Houd de levende boomhouder gevuld met water.
- b. Als het product op een boom wordt geplaatst, moet de boom goed stevig staan en stabiel zijn.
- c. Inspecteer het product zorgvuldig voordat u het gebruikt of opnieuw gebruikt. Gooi producten met gesneden, beschadigde of gerafelde draadisolatie of snoeren, scheuren in de lamphouders of behuizingen, losse verbindingen of blootliggend koperdraad weg.
- d. Wanneer u het product opbergt, verwijdert u het product voorzichtig van waar het is geplaatst, inclusief bomen, takken of struiken, om onnodige spanning of spanning op de productgeleiders, verbindingen en draden te voorkomen.
- e. Wanneer het niet in gebruik is, moet u het product netjes bewaren op een koele, droge plaats beschermd tegen zonlicht.
- f. De werking is onderhevig aan de volgende twee voorwaarden: (1) dit apparaat mag geen interferentie veroorzaken en (2) dit apparaat moet elke interferentie accepteren, inclusief interferentie die ongewenste werking van het apparaat kan veroorzaken.

LET OP - Om het risico op brand en elektrische schokken te verminderen:

- a. Moet u het product niet installeren op bomen met naalden, bladeren of takken van metaal of materialen die op metaal lijken.
- b. monteer of ondersteun draden niet op een manier die draadisolatie kan doorsnijden of beschadigen.

Klasse A-disclaimer: deze apparatuur is getest en in overeenstemming bevonden met de limiten van een digitaal apparaat uit klasse A, conform deel 15 van de FCC-voorschriften. Deze beperkingen zijn opgesteld om een redelijke bescherming te bieden tegen schadelijke storingen in een woonomgeving. Deze apparatuur genereert en maakt gebruik van radiofrequente straling en kan deze afgeven. Indien deze apparatuur niet volgens de instructies wordt geïnstalleerd en gebruikt, kan deze schadelijke storing van radiocommunicatie veroorzaken. Er is echter geen

garantie dat in bepaalde situaties geen storing zal optreden. Als deze apparatuur schadelijke storing in radio- of televisieontvangst veroorzaakt, wat kan worden vastgesteld door de apparatuur in en uit te schakelen, kan de gebruiker proberen deze storing op één of meer van de volgende manieren op te heffen:

- De ontvangstantenne verplaatsen of anders richten.
- De afstand tussen de apparatuur en de ontvanger vergroten.
- De apparatuur aansluiten op een ander stopcontact in een ander circuit dan dat waarop de ontvanger is aangesloten.
- Raadpleeg voor hulp de dealer of een ervaren radio- en televisiemonteur.

Compatibiliteitsverklaring

De draadloze prestaties zijn afhankelijk van de Bluetooth/WiFi draadloze technologie van uw apparaat, raadpleeg de fabrikant van uw apparaat. Ledworks SRL is niet aansprakelijk voor verlies van gegevens of lekkage als gevolg van het gebruik van deze apparaten.

⚠ OPGELET!

Sluit de ketting niet aan op de voeding terwijl deze zich in de verpakking bevindt. De verbindingkabel kan niet worden gerepareerd of vervangen. Als de kabel is beschadigd, moet de gehele fitting worden weggegooid. NIET VERVANGBARE GLOEILAMP. De lichtketting mag niet worden gebruikt zonder dat alle pakkingen op hun plaats zitten. Lichtkettingen zijn niet bedoeld voor interconnectie. Sluit deze ketting niet elektrisch aan op apparaten van een andere fabrikant. OPGELET! Wurgingsgevaar. Buiten het bereik van jonge kinderen houden.



Het symbool van een doorgekruiste afvalcontainer geeft aan dat het artikel apart verwijderd moet worden van het huisafval. Het artikel dient te worden ingeleverd voor recycling in overeenstemming met de plaatselijke milieuvoorschriften voor afvalverwerking.

De fabrikant, Ledworks Srl, verklaart dat dit apparaat voldoet aan de richtlijnen van (LVD) 2014/53/EU, (RED) 2014/53/EU, (EMC) 2014/30/EU, (RoHS) 2011/65/EU. De volledige tekst van de EU-conformiteitsverklaring is via het volgende internetadres beschikbaar: www.twinkly.com/certifications

Systeemvereisten

De minimale systeemvereisten voor mobiele telefoons zijn iOS 11 en Android 5. Kijk in de app store voor de laatste update om zeker te zijn van de beste prestaties.

Technische specificaties

Voeding: zie label
IP-bescherming: IP44

Led-dioden van hoogwaardige kwaliteit

Om een hoge kleurweergave te garanderen, worden alleen hoogwaardige leds gebruikt voor Twinkly-producten.

De RGB- en RGB+W-producten van Twinkly worden geproduceerd volgens kwaliteitsprincipes en -processen die ons in staat stellen primaire kleuren met een hoge mate van zuiverheid te verkrijgen.

De minimale excitatiezuiverheidswaarden van de blauwe, groene en rode componenten worden weergegeven in de onderstaande tabel.

Bluetooth-licentie

Het woordmerk en de logo's van Bluetooth® zijn geregistreerde handelsmerken die eigendom zijn van Bluetooth SIG, Inc. en elk gebruik van deze merken door Ledworks SRL gebeurt onder licentie. Andere handelsmerken en handelsnamen zijn eigendom van hun respectieve eigenaars.

RF-bediening voor 802.11 b/g/n Wi-Fi /

Bluetooth V4.2 BR/EDR/LE

Frequentie 2402/2480 Mhz

Maximaal uitgangsvermogen <100mW

Kleurzuiverheidswaarden

Blauw > 90%

Groen > 65%

Rood > 95%

* De waarden gelden alleen voor RGB- (STP) en RGB+W- (SPP) producten, niet voor AWW- (GOP) producten

ES Lea y siga todas las instrucciones de seguridad.

1. LEA Y SIGA TODAS LAS INSTRUCCIONES DE SEGURIDAD.
2. No lo monte ni coloque cerca de calentadores de gas o eléctricos, chimeneas, velas u otras fuentes de calor similares.
3. El cable flexible externo o cordón de esta luminaria no puede sustituirse; si el cordón se daña, la luminaria deberá destruirse. La fuente luminosa de esta luminaria no es sustituable; cuando la fuente luminosa llegue al final de su vida útil, deberá sustituirse toda la luminaria.
4. Este artículo no es adecuado para la iluminación de habitaciones y sólo tiene fines decorativos.
5. No asegure el cableado del producto con grapas o clavos, ni lo coloque en ganchos o clavos afilados.
6. No deje que las lámparas descansen sobre el cable de alimentación ni sobre ningún otro cable.
7. Desenchufe el producto cuando salga de la casa, cuando se acueste por la noche o cuando lo deje desatendido.
8. ¡Este es un producto eléctrico, no un juguete! Para evitar el riesgo de incendio, quemaduras, lesiones personales y descargas eléctricas, no se debe jugar con él ni colocarlo donde los niños pequeños puedan alcanzarlo.
9. No utilice este producto para un uso distinto al previsto.
10. No cuelgue adornos u otros objetos del cordón, alambre o cuerda de luz.
11. No cubra el producto con tela, papel o cualquier otro material que no forme parte del producto durante su uso.
12. No cierre las puertas o ventanas del producto o de los cables de extensión, ya que esto podría dañar el aislamiento de los cables.
13. Lea y siga todas las instrucciones que aparecen en el producto o que se suministran con el mismo.
14. **GUARDE ESTAS INSTRUCCIONES.**
15. No conectes la cadena al suministro eléctrico mientras esté en el embalaje.
16. En caso de rotura o daño de las bombillas, la cadena no debe utilizarse ni conectarse a la corriente, sino desecharse de forma segura.
17. Las lámparas no son reemplazables.
18. **ADVERTENCIA: EN CASO DE HABER LÁMPARAS ROTAS O FALTANTES, ESTO SUPONE UN RIESGO DE DESCARGA ELÉCTRICA. NO SE DEBE UTILIZAR EN ESTOS CASOS.**

Instrucciones de uso y cuidado

- a. Cuando el producto se coloque en un árbol vivo, el árbol deberá estar bien mantenido y fresco. No lo coloque en árboles vivos en los que las agujas sean de color marrón o se rompan fácilmente. Mantenga el soporte del árbol vivo lleno de agua.
- b. Si el producto se coloca en un árbol, este deberá estar bien sujeto y ser estable.
- c. Antes de usarlo o reutilizarlo, inspeccione cuidadosamente el producto. Deseche cualquier producto que tenga los cables o aislantes cortados, dañados o deshilachados, grietas en los portálamparas o en los gabinetes, las conexiones flojas o el alambre de cobre expuesto.
- d. Cuando almacene el producto, retírelo cuidadosamente de dondequiera que esté colocado, lo que incluye árboles, ramas o arbustos, para evitar cualquier tensión o esfuerzo indebido en los conductores, las conexiones y los cables del producto.
- e. Cuando no lo utilice, guárdelo cuidadosamente en un lugar fresco y seco protegido de la luz solar.
- f. El funcionamiento está sujeto a las dos condiciones siguientes: (1) este dispositivo no puede causar interferencias, y (2) este dispositivo debe aceptar cualquier interferencia, incluidas las interferencias que puedan causar un funcionamiento no deseado del dispositivo.

PRECAUCIÓN. Para reducir el riesgo de incendios y descargas eléctricas:

- a. No lo instale en árboles que tengan agujas, hojas o ramas cubiertas de metal o materiales que parezcan de metal.
- b. No monte ni apoye los alambres de manera que se pueda cortar o dañar el aislamiento de los mismos.

Descargo de responsabilidad de Clase A: Este equipo ha sido probado y se ha comprobado que cumple con los límites de un dispositivo digital de Clase A, de acuerdo con la Parte 15 de las Normas de la FCC. Estos límites están diseñados para proporcionar una protección razonable

contra las interferencias perjudiciales en una instalación residencial. Este equipo genera, utiliza y puede irradiar energía de radiofrecuencia, y si no se instala y utiliza de acuerdo con las instrucciones, puede causar interferencias perjudiciales en las comunicaciones por radio. Sin embargo, no se puede garantizar que no se produzcan interferencias en una instalación concreta. Si este equipo causa interferencias perjudiciales en la recepción de radio o televisión, lo cual puede determinarse apagando y encendiendo el equipo, se recomienda al usuario que intente corregir las interferencias mediante una o varias de las siguientes medidas:

- Reorientar o reubicar la antena receptora.
- Aumentar la separación entre el equipo y el receptor.
- Conectar el equipo a una toma de corriente en un circuito diferente al que está conectado el receptor.
- Consultar al distribuidor o a un técnico experto en radio/televisión para obtener ayuda.

Exención de compatibilidad

El rendimiento inalámbrico depende de la tecnología inalámbrica Bluetooth/WiFi de su dispositivo, consulte al fabricante de su dispositivo. Ledworks SRL no se hace responsable de cualquier pérdida de datos o fugas resultantes del uso de estos dispositivos.

⚠ ¡ADVERTENCIA!

No conecte el cable a la fuente de alimentación mientras está en el embalaje. El cable de conexión no puede ser reparado o reemplazado. Si el cable está dañado, se debe desechar todo el accesorio. **BOMBILLA NO REEMPLAZABLE.** La cadena de iluminación no debe utilizarse sin que todas las juntas estén en su lugar. Las cadenas de iluminación no están pensadas para la interconexión. No conecte esta cadena eléctricamente a los dispositivos de otro fabricante. **¡PRECAUCIÓN!** Peligro de estrangulamiento. Cuelgue fuera del alcance de los niños pequeños.



El símbolo del contenedor con ruedas tachado indica que el artículo no debe eliminarse con la basura doméstica. El artículo debe ser entregado para su reciclaje de acuerdo con las normativas ambientales locales para la eliminación de residuos.

El fabricante, Ledworks Srl, declara que este dispositivo cumple con las (LVD) 2014/35/EU, (RED) 2014/53/EU, (EMC) 2014/30/EU, (RoHS) 2011/65/EU directivas. El texto completo de la declaración de conformidad con la UE está disponible en la siguiente dirección de internet:

www.twinkly.com/certificaciones

Requisitos del sistema

Los requisitos mínimos del sistema para teléfonos móviles son iOS 11 y Android 5. Consulte en la tienda de aplicaciones la última actualización para garantizar el mejor rendimiento.

Diodes LED de primera calidad

Para garantizar una alta reproducción cromática, los productos Twinkly solo utilizan LED de alta calidad.

Los productos RGB y RGB+W de Twinkly se producen siguiendo principios y procesos de calidad que nos permiten obtener un alto grado de pureza de los colores primarios.

Los valores mínimos de pureza de excitación de los componentes Azul, Verde y Rojo se muestran en la siguiente tabla.

Licencia de Bluetooth

La marca y los logotipos Bluetooth® son marcas comerciales registradas propiedad de Bluetooth SIG, Inc, y cualquier uso de dichas marcas por parte de Ledworks SRL se realiza bajo licencia. Las demás marcas y nombres comerciales pertenecen a sus respectivos propietarios.

RF de func. para 802.11 b/g/n Wi-Fi / Bluetooth V4.2 BR/EDR/LE	Valores de pureza del color
Frecuencia 2402/2480 Mhz	Azul > 90%
Potencia máxima de salida <100mW	Verde > 65%
	Rojo > 95%

* Los valores solo se aplican a los productos RGB (STP) y RGBW (SPPP), no a los productos AWW (GOP)

PT Ler e seguir todas as instruções de segurança.

1. LER E SEGUIR TODAS AS INSTRUÇÕES DE SEGURANÇA.
2. Não montar ou colocar perto de fogões a gás ou eléctricos, lareiras, velas ou outras fontes de calor semelhantes.
3. O cabo ou cabo flexível externo desta luminária não pode ser substituído; se o cabo for danificado, destruir a luminária. A fonte de luz desta luminária não é substituível; quando a fonte de luz atinge o fim da sua vida útil, a luminária inteira deve ser substituída.
4. Este artigo não é adequado para iluminação de quartos e é apenas para fins decorativos.
5. Não fixar a fixação do produto com agrafos ou pregos ou colocá-lo em ganchos ou pregos afiados.
6. Não deixar descansar as lâmpadas sobre o cabo de alimentação ou sobre um fio.
7. Desligue-o quando sair de casa, quando for dormir, ou quando estiver longe dele.
8. Isto é um produto eléctrico - não um brinquedo! Para evitar o risco de incêndio, queimaduras, ferimentos pessoais e choque eléctrico, não brincar com ele e não o colocar onde as crianças pequenas o possam alcançar.
9. Não utilizar este produto para outros fins que não a sua utilização prevista.
10. Não pendurar decorações ou outros objectos num fio, arame ou fio leve.
11. Não cobrir o produto durante a sua utilização com um pano, papel ou outro material que não faça parte do produto.
12. Não fechar portas ou janelas sobre o produto ou cordões de extensão, pois isso pode danificar o isolamento do fio.
13. Ler e seguir todas as instruções sobre o produto ou fornecidas com o produto.
14. MANTER ESTAS INSTRUÇÕES.
15. Não ligar o pêndulo à fonte de alimentação enquanto este estiver na sua embalagem.
16. Se as lâmpadas estiverem partidas ou danificadas, o pêndulo não deve ser utilizado/engendado, mas sim eliminado em segurança.
17. As lâmpadas não são substituíveis.
18. AVISO - RISCO DE CHOQUE ELÉCTRICO SE AS LÂMPADAS ESTIVEREM PARTIDAS OU EM FALTA. NÃO UTILIZAR.

Instruções de funcionamento e manutenção

- a. Se o produto for colocado sobre uma árvore viva, a árvore deve ser devidamente mantida. Não colocar em árvores vivas em que as agulhas sejam castanhas ou se partam facilmente. Manter o suporte de árvores vivas cheio de água.
- b. Se o produto for colocado sobre uma árvore, a árvore deve ser firme e estável.
- c. Inspeccionar cuidadosamente o produto antes de o utilizar ou reutilizar. Eliminar produtos com isolamento ou cabos cortados, danificados ou desfiados, fissuras nos suportes ou caixas das lâmpadas, ligações soltas ou fio de cobre exposto.
- d. Ao armazenar o produto, remover cuidadosamente o produto do local onde é colocado, incluindo árvores, ramos ou arbustos, para evitar stress ou tensão desnecessários sobre os condutores, ligações e fios do produto.
- e. Quando não estiver a ser utilizado, armazenar o produto em local fresco e seco, protegido da luz solar.
- f. O funcionamento está sujeito às duas condições seguintes: (1) este dispositivo não pode causar interferências e (2) este dispositivo tem de aceitar quaisquer interferências, incluindo interferências que possam causar um funcionamento indesejado do dispositivo

CUIDADO - Para reduzir o risco de incêndio e choque eléctrico:

- a. Não instalar o produto em árvores com agulhas, folhas ou ramos de metal ou materiais que se assemelham ao metal.
- b. Não montar ou suportar fios de uma forma que possa cortar ou danificar o isolamento do fio.

Isonção de responsabilidade de Classe A: Este equipamento foi testado e considerado em conformidade com os limites para um dispositivo digital de Classe A, nos termos da Parte 15 das Regras da FCC. Estes limites foram concebidos para proporcionar uma protecção razoável contra interferências nocivas numa instalação residencial. Este equipamento gera, utiliza e pode irradiar energia de radiofrequência e, se não for instalado e utilizado de acordo com as instruções, pode causar interferências nocivas às comunicações por rádio. No entanto, não há garantias de que não ocorram interferências numa instalação em particular. Se este

equipamento causar interferência prejudicial à recepção de rádio ou televisão, que pode ser determinada ligando e desligando o equipamento, o utilizador é encorajado a tentar corrigir a interferência através de uma ou mais das seguintes medidas:

- Reorientar ou deslocar a antena de recepção.
- Aumentar a separação entre o equipamento e o receptor.
- Ligar o equipamento a uma tomada num circuito diferente daquele a que o receptor está ligado.
- Consultar o revendedor ou um técnico de rádio/TV experiente para obter ajuda.

Declaração de Compatibilidade

O desempenho sem fios depende da tecnologia sem fios Bluetooth/WiFi do seu dispositivo, por favor consulte o fabricante do seu dispositivo. A Ledworks SRL não é responsável pela perda de dados ou leakage als gevolg van het gebruik van deze apparaten.

⚠ ATENÇÃO!

Não ligar a cadeia à fonte de alimentação enquanto esta estiver na sua embalagem. O cabo de ligação não pode ser reparado ou substituído. Se o cabo estiver danificado, descarte todo o encaixe. NÃO REPLACEMENTABLE GLOWLAMP.As correntes ligeiras não se destinam à interligação. Não ligar electricamente esta corrente a dispositivos de outro fabricante. CUIDADO! Risco de estrangulamento. Manter fora do alcance das crianças pequenas.



O símbolo de um contentor de rodas com uma cruz indica que o artigo deve ser eliminado separadamente do lixo doméstico. O artigo deve ser devolvido para reciclagem em conformidade com os regulamentos ambientais locais para a eliminação de resíduos.

O fabricante, Ledworks Srl, declara que este dispositivo cumpre as directivas de (LVD) 2014/35/EU, (RED) 2014/53/EU, (EMC) 2014/30/EU, (RoHS) 2011/65/EU. O texto completo da declaração de conformidade da UE está disponível no seguinte endereço Internet: www.twinkly.com/certifications

Requisitos do sistema

Os requisitos mínimos do sistema para telemóveis são iOS 11 e Android 5 Verifique na loja de aplicações a última atualização para assegurar o melhor desempenho.

Especificações técnicas

Fonte de alimentação: ver etiqueta
Protecção IP: IP44

Diodos LED de alta qualidade

Para assegurar uma elevada restituição de cor, só são utilizados LEDs de alta qualidade para os produtos Twinkly. Os produtos Twinkly RGB e RGB+W são produzidos de acordo com princípios e processos de qualidade que nos permitem obter cores primárias com um elevado grau de pureza.

Os valores mínimos de pureza de excitação dos componentes azul, verde e vermelho são mostrados na tabela abaixo.

Licenciamento de Bluetooth

A marca nominativa e logótipos Bluetooth® Bluetooth® são marcas registadas propriedade da Bluetooth SIG, Inc. e qualquer utilização de tais marcas pela Ledworks SRL está sob licença. Outras marcas registadas e nomes comerciais são os dos seus respectivos proprietários.

Controlo RF para 802.11 b/g/n Wi-Fi / Bluetooth V4.2 BR/EDR/LE

Frequência 2402/2480 Mhz
Potência máxima de saída <100mW

Valores de pureza da cor

Azul > 90%
Verde > 65%
Vermelho > 95%

* Os valores aplicam-se apenas aos produtos RGB (STP) e RGBW (SPP), não aos produtos AWW (GOP)

DA Læs og følg alle sikkerhedsinstruktioner.

- LÆS OG FØLG ALLE SIKKERHEDSINSTRUKTIONER.
- Armaturets udvendige fleksible kabel eller ledning kan ikke udskiftes; hvis ledningen beskadiges, skal armaturet destrueres. Armaturets lyskilde kan ikke udskiftes; når lyskilden har udtjent sin levetid, skal hele armaturet udskiftes.
- Denne artikel er ikke egnet til rumbelysning og er kun til dekorationsformål.
- Montrér eller placer ikke i nærheden af gas- eller elektriske varmeapparater, pejse, lys eller andre lignende varmekilder.
- Fastgør ikke ledningerne til produktet med hæfteklammer eller søm, og læg dem ikke på skarpe kroge eller søm.
- Lad ikke lamperne hvile på strømledningen eller på nogen anden ledning.
- Træk stikket ud af produktet, når du forlader huset, eller når du går i seng om natten, eller hvis det efterlades uden opsyn.
- Dette er et elektrisk produkt - ikke et legetøj! For at undgå risiko for brand, forbrændinger, personskade og elektrisk stød, bør det ikke leges med eller placeres, hvor små børn kan nå det.
- Brug ikke dette produkt til andet end dets tilsigtede brug.
- Hæng ikke ornamenter eller andre genstande fra ledningen, ledningen eller lyskæden.
- Dæk ikke produktet med tæppe, papir eller andet materiale, der ikke er en del af produktet, når det er i brug.
- Luk ikke døre eller vinduer på produktet eller forlængerledningerne, da dette kan beskadige ledningsisolationen.
- Læs og følg alle instruktioner, der findes på produktet eller leveres sammen med produktet.
- GEM DISSE INSTRUKTIONER.
- Tilslut ikke kæden til forsyningen, mens den er i emballagen.
- Hvor der opstår brud eller beskadigelse af lamper, må kæden ikke bruges/aktiveres, men skal bortskaffes sikkert.
- Lamperne kan ikke udskiftes.
- ADVARSEL – RISIKO FOR ELEKTRISK STØD, HVIS LAMPER ER I STYKKER ELLER MANGLER. UNDLAD AT BRUGE.

Brugs- og vedligeholdelsesinstruktioner

- Når produktet placeres på et levende træ, skal træet være i god stand og frisk. Placer ikke på levende træer, hvor nålene er brune eller let knækker. Sørg for, at holderen til det levende træ fyldt med vand.
- Hvis produktet placeres på et træ, skal træet være godt sikret og stabilt.
- Inden du bruger eller genbruger, skal du inspicere produktet omhyggeligt. Kassér produkter, der har gennemskåret, beskadiget eller flosset ledningsisolerings eller ledninger, revner i lampeholderne eller kabinetterne, løse forbindelser eller synlig kobbertråd.
- Når du opbevarer produktet, skal du omhyggeligt fjerne produktet, der hvor det er placeret, inklusive træer, grene eller buske, for at undgå unødvendig belastning eller belastning af produktets ledere, forbindelser og ledninger.
- Opbevares på et køligt, tørt sted beskyttet mod sollys, når det ikke er i brug.
- Driften er underlagt følgende to betingelser: (1) denne enhed må ikke forårsage interferens, og (2) denne enhed skal acceptere enhver interferens, herunder interferens, der kan forårsage uønsket drift af enheden.

ADVARSEL - For at reducere risikoen for brand og elektrisk stød:

- Montrér ikke på træer med nåle, blade eller grenbelægninger af metal eller materialer, der ligner metal.
- Montrér eller understøt ikke ledninger på en måde, der kan skære i eller beskadige ledningsisoleringsen.

Ansvarsfraskrivelse for klasse A: Dette udstyr er testet og fundet i overensstemmelse med grænserne for en klasse A digital enhed i henhold til afsnit 15 i FCC-reglerne. Disse grænser er designet til at give rimelig beskyttelse mod skadelig interferens i en boliginstallation. Dette udstyr genererer, bruger og kan udsætte radiofrekvensenergi, og hvis det ikke installeres og bruges i overensstemmelse med instruktionerne, kan det forårsage skadelig interferens i radiokommunikation. Der er dog ingen garanti for, at der ikke opstår interferens i en bestemt installation. Hvis dette udstyr forårsager skadelig interferens i radio- eller tv-mottagelse,

hvilket kan bestemmes ved at tænde og tænde udstyret, opfordres brugeren til at prøve at rette interferensen ved hjælp af en eller flere af følgende foranstaltninger:

- Vend eller flyt modtageantennen.
- Øg afstanden mellem udstyr og modtager.
- Slut udstyret til en stikkontakt på et andet kredsløb end det, som modtageren er tilsluttet.
- Kontakt forhandleren eller en erfaren radio-tv-tekniker for at få hjælp.

Ansvarsfraskrivelse om kompatibilitet

Trådløs ydeevne afhænger af din enheds trådløse Bluetooth/WiFi-teknologi, se venligst producentens oplysninger om din enhed. Ledworks SRL er ikke ansvarlig for tab af data eller lægager som følge af brugen af disse enheder.

⚠ ADVARSEL!

Tilslut ikke lyskæden til strømforsyningen, mens den er i emballagen. Forbindelseskablet kan ikke repareres eller udskiftes. IKKE-UDSKIFTBARE PÆRER. Tilslut ikke denne lyskæde elektrisk til enheder fra en anden producent. ADVARSEL! Kvælningsfare. Opbevares utilgængeligt for små børn.



Symboloet med den overstregede skraldespand indikerer, at genstanden skal bortskaffes separat fra husholdningsaffald. Varen skal afleveres til genbrug i overensstemmelse med lokale miljøregler for bortskaffelse af affald.

Producenten Ledworks Srl erklærer, at denne enhed overholder direktiverne (LVD) 2014/35/EU, (RED) 2014/53/EU, (EMC) 2014/30/EU, (RoHS) 2011/65/EU. Den fulde tekst til EU-overensstemmelseserklæringen findes på følgende internetadresse: www.twinkly.com/certifications

Systemkrav

Minimumssystemkravet til mobiltelefoner er iOS 11 og Android 5. Se i app store for at finde den nyeste opdatering for at sikre den bedste ydeevne.

Tekniske specifikationer

Strømforsyning: se etiket
IP-beskyttelse: IP44

Førsteklasses LED-dioder

For at sikre en god farvegengivelse bruger produkterne fra Twinkly kun LED'er af høj kvalitet. RGB og RGB+W produkter fra Twinkly er produceret efter kvalitetsprincipper og processer, der gør det muligt for os at opnå meget rene primærfarver. De minimale excitation purity-værdier for de blå, grønne og røde komponenter er vist i tabellen nedenfor.

Bluetooth-licensering

Bluetooth Bluetooth®-ordmærket og logoer er registrerede varemærker, der ejes af Bluetooth SIG, Inc. og enhver brug af sådanne mærker af Ledworks SRL er under licens. Andre varemærker og handelsnavne tilhører deres respektive ejere.

Drifts-RF for 802.11 b/g/n Wi-Fi / Bluetooth V4.2 BR/EDR/LE	Farve-renhedsværdier
Frekvens 2402/2480 Mhz	Blå > 90%
Maks. udgangseffekt <100mW	Grøn > 65%
	Rød > 95%

* Værdier gælder kun for RGB (STP) og RGBW (SPP)-produkter, ikke for AWW (GOP)-produkter

FI Lue kaikki turvallisuusohjeet ja noudata niitä.

- LUE KAIKKI TURVALLISUUSOHJEET JA NOUDATA NIITÄ.
- ÄLÄ asenna tai aseta kaasui- tai sähkölämmittimiin, tulisijoihin, kynttilöiden tai muiden vastaavien lämmönlähteiden läheisyyteen.
- Tämän valaisimen ulkoista taipuisaa kaapelia tai johtoa ei voi vaihtaa; jos johto vaurioituu, valaisin on tuhottava. Tämän valaisimen valonlähdetä ei voi vaihtaa; kun valonlähteen käyttöikä on loppussa, koko valaisin on vaihdettava.

- Tämä tuote ei sovellu huoneen valaistukseen, ja se on tarkoitettu vain koristeluun.
- Älä kiinnitä tuotteen johtoja niillellä tai nauoililla aläkä aseta niitä teräviin koukkuihin tai nauoihin.
- Älä jätä lampuja virtajohdon tai minkään muunkaan johdon päälle.
- Irrota tuote pistorasiasta, kun poistut kotoa, siirryt yöksi levolle tai jos se jätetään ilman valvontaa.
- Tämä on sähkötuote, ei lelu! Tulipalon, palovammojen, henkilövahinkojen ja sähköiskun vaaran välttämiseksi sillä ei saa leikkiä, eikä sitä saa asettaa pikkulasten ulottuville.
- Älä käytä tätä tuotetta muuhun kuin sen tarkoitettuun käyttöön.
- Älä ripusta johtoon, kaapeliin tai valonauhaan koristeita tai muita esineitä.
- Älä peitä tuotetta kankaalla, paperilla tai millään muullakaan materiaalilla, joka ei kuulu tuoteeseen sen käytön aikana.
- Älä jätä tuotetta tai jatkajohtoja ovien tai ikkunoiden väliin, sillä ne voivat vaurioittaa johdon eristystä.
- Lue ja noudata kaikkia tuoteessa olevia tai tuotteen mukana toimitettuja ohjeita.
- SÄILYTÄ NÄMÄ OHJEET.
- Älä kytkie valoketjua virtalähteeseen, kun se on pakkauksessa.
- Jos lamput rikkoutuvat tai vaurioituvat, ketjua ei saa käyttää eikä siihen saa syöttää virtaa, vaan tuote on hävitettävä turvallisesti.
- Lamput eivät ole vaihdettavissa.
- VAROITUS – SÄHKÖISKUN VAARA, JOS LAMPUT OVAT RIKKOUTUNEITA TAI PUUTTUVAT. ÄLÄ KÄYTÄ.

Käyttö- ja hoito-ohjeet

- Kun tuote asetetaan elävään puuhun, puun tulee olla hyvin hoidettu ja tuore. Älä aseta eläviin kuusiin, joiden neulaset ovat ruskeita tai katkeavat helposti. Pidä kuusenjalja täytynä vedellä.
- Jos tuote asetetaan puuhun, puun tulee olla hyvin tuettu ja vakaa.
- Tarkista tuote huolellisesti ennen käyttöä tai uudelleenkäyttöä. Hävitä tuotteet, joiden eristysosat tai johdot ovat leikkautuneet, vaurioituneet tai kuluneet, jos huomaat halkeamia lampunpidikkeissä tai kotelossa, jos liitännät ovat löystyneet, tai jos kuparilangat ovat paljastuneet.
- Kun säilytät tuotetta, poista tuote ensin varovasti paikaltaan puusta, oksilta, pensaista, tai minne se onkaan asetettu, jotta väliät tuotteen johtimiin, liitäntöihin ja johtoihin kohdistuvan liiallisen rasituksen.
- Kun tuote ei ole käytössä, säilytä se siististi viileässä, kuivassa paikassa suojassa auringonvalolta.
- Toiminta edellyttää seuraavia kahta ehtoa: (1) tämä laite ei saa aiheuttaa häiriöitä, ja (2) tämän laitteen on hyväksyttävä kaikki häiriöt, mukaan lukien häiriöt, jotka voivat aiheuttaa laitteen ei-toivottua toimintaa.

VAROITUS – Tulipalon ja sähköiskun vaaran välttämiseksi:

- Älä asenna puhiin, joiden neulaset, lehdet tai oksat ovat metallia tai metallilla näyttäviä materiaaleja.
- Älä asenna tai tue johtoja tavalla, joka voi leikata niitä tai vahingoittaa niiden eristystä.

Luokan A vastuuvapauslauseke: Tämä laite on testattu ja sen on todettu noudattavan luokan A digitaalisille laitteille asetettuja rajoituksia FCC-sääntöjen osion 15 mukaisesti. Nämä rajoitukset on suunniteltu tarjoamaan kohtuullinen suoja haitallisia häiriöitä vastaan kotiasennuksessa. Tämä laite tuottaa, käyttää ja voi säteillä radioaaltuja energiaa, ja jos sitä ei asenneta ja käytetä ohjeiden mukaisesti, se voi aiheuttaa haitallisia häiriöitä radioviestintään. Ei kuitenkaan ole takeita siitä, etteikö häiriöitä voi tapahtua tietystä asennuksessa. Jos tämä laite aiheuttaa haitallisia häiriöitä radio- tai televisiovastaanottimeen (tämä voidaan määrittää sammuttamalla laite ja käynnistämällä se uudelleen), käyttäjää kehoitetaan yrittämään häiriöiden korjaamista yhdellä tai useammalla seuraavista toimenpiteistä:

- Suuntaa tai siirrä vastaanottoantenni uudelleen.
- Vie laite ja vastaanotin kauemmas toisistaan.
- Liitä laite pistorasiaan, joka on eri piirissä kuin se, johon vastaanotin on kytketty.
- Pyydä apua jälleennyjältä tai kokeneelta radio-/televisioasentajalta.

⚠ VAROITUS!

Älä kytkie valosarjaa virtalähteeseen, kun se on pakkauksessa. Kytkentäkaapelia ei voi korjata tai vaihtaa. EI-VAIHDETTAVAT LAMPUT. Älä kytkie tätä valosarjaa sähköisesti toisen valmistajan laitteisiin. VAROITUS! Kuristumisvaara. Pidä poissa pienten lasten ulottuville.

Yhteensopivuutta koskeva vastuuvapauslauseke

Langaton suorituskyky riippuu laitteesta langattomasta Bluetooth/WiFi-tekniikasta, ota yhteys laitteen valmistajaan. Ledworks SRL ei ole vastuussa näiden laitteiden käytöstä johtuvista tietojen menetyksistä tai vaurioista.



Ylivivattu roskakorisyömböli tarkoittaa, että tuote tulee hävittää erillään kotitalousjätteestä. Tuote tulee toimittaa kierrätettäväksi paikallisten jätehuoltomääräysten mukaisesti.

Valmistaja Ledworks Srl vakuuttaa, että tämä laite on direktiivien (LVD) 2014/35/EU, (RED) 2014/53/EU, (EMC) 2014/30/EU, (RoHS) 2011/65/EU ja (REACH) 1907/2006 mukainen. EU:n vaatimustenmukaisuusvakuutuksen teksti kokonaisuudessaan on saatavilla verkko-osoitteesta www.twinkly.com/certifications.

Järjestelmävaatimus

Matkapuhelinten järjestelmän vähimmäisvaatimukset:
iOS 11 tai Android 5. Tarkista sovelluskaupasta uusin päivitys varmistaaaksesi parhaan suorituskyvyn.

Tekniset tiedot

Virtalähde: katso etiketti

IP-suojaus: IP44

Ensiluokkaiset LED-diodit

Korkean värinvalon varmistamiseksi Twinkly-tuotteissa käytetään vain korkealaatuisia LED-valoja.

Twinklyn RGB- ja RGB+W-tuotteet valmistetaan sellaisien laatuperiaatteiden ja prosessien mukaisesti, joiden avulla voimme saavuttaa korkean perusvärin puhtausasteen.

Sinisten, vihreiden ja punaisten komponenttien minimivirityspuhtausarvot on esitetty alla olevassa taulukossa.

Bluetooth-lisensiointi

Bluetooth Bluetooth®-sanamerkki ja logot ovat rekisteröityjä tavaramerkkejä, jotka omistaa Bluetooth SIG, Inc., ja Ledworks SRL käyttää näitä tavaramerkkejä lisenssillä. Muut tavaramerkit ja kaupannimet ovat niiden omistajien tavaramerkkejä ja kaupannimia.

Toimiva radiotaajuus 802.11 b/g/n Wi-Fi / Bluetooth V4.2 BR/EDR/LE	Värien puhtausarvot
Taajuus 2402/2480 Mhz	Sininen > 90%
Suurin lähtöteho <100mW	Vihreä > 65%
	Punainen > 95%

* Arvot koskevat vain RGB (STP) ja RGBW (SP) -tuotteita, eivät AWW (GOP) -tuotteita

5V Se till att läsa och följa alla säkerhetsinstruktioner.

- LÄS OCH FÖLJ ALLA SÄKERHETSINSTRUKTIONER.
- Undvik att montera eller placera nära gasvärmare, elektriska värmare och andra värmekällor.
- Armaturens externa flexibla kabel eller sladd kan inte bytas ut; om sladdens skadas ska armaturen förstöras. Ljuskällan i denna armatur är inte utbyttbar; när ljuskällan har nått sin livslängd skall hela armaturen bytas ut.
- Artikeln lämpar sig inte för rumsupplysning och är endast avsedd för dekorationsändamål.
- Fäst inte produktens ledningar med häftklamrar eller spikar. Undvik dessutom att hänga den i vassa krokar eller spikar.
- Låt inte lamppor ligga på strömsladden eller någon annan sladd.
- Koppla från produkten när du lämnar huset, går och lägger dig eller lämnar den utan uppsikt.
- Detta är en elektrisk produkt – inte en leksak! För att undvika risk för brand, brännskador, personskada och elektriska stöt sk man inte leka med den eller ställa den inom räckhåll för småbarn.
- Använd endast denna produkt för det den är avsedd.
- Undvik att hänga upp prydnadsföremål och andra föremål i sladden eller ljuskedjan.
- När produkten används, täck inte över den med tyg, papper eller något annat material som inte ingår.
- Undvik att stänga dörrar och fönster på produkten eller förlängningsladdarna eftersom det kan skada kablarnas isolering.

13. Se till att läsa och följa alla instruktioner som står på produkten eller medföljer produkten.
14. SPARA DESSA INSTRUKTIONER.
15. Anslut inte kedjan till uttaget medan den ligger i förpackningen.
16. Om lampor går sönder eller skadas får kedjan varken användas eller vara strömförande, utan den måste kasseras på ett säkert sätt.
17. Det går inte att byta ut lamporna.
18. VARNING – RISK FÖR ELEKTRISK STÖT OM LAMPOR GÅR SÖNDER ELLER SAKNAS.

Användnings- och skötselavvisningar

- a. När produkten placeras ut på ett levande träd måste det vara välskött och färskt. Placera inte produkten på levande träd där barrn är brun eller lätt bryts av. Se till att trädoten är fylld med vatten.
- b. Als het product op een boom wordt geplaatst, moet de boom goed stevig staan en stabiel zijn.
- c. Inspecteer het product zorgvuldig voordat u het gebruikt of opnieuw gebruikt. Gooi producten met gesneden, beschadigde of gerafelde draadisolatie of snoeren, scheuren in de lamphouders of behuizingen, losse verbindingen of blootliggend koperdraad weg.
- d. Wanneer u het product opbergt, verwijfdert u het product voorzichtig van waar het is geplaatst, inclusief bomen, takken of struiken, om onnodige spanning of spanning op de productgeleiders, verbindingen en draden te voorkomen.
- e. Wanneer het niet in gebruik is, moet u het product netjes bewaren op een koele, droge plaats beschermd tegen zonlicht.
- f. Användningen är underkastad följande två villkor: (1) denna enhet får inte orsaka störningar, och (2) denna enhet måste acceptera alla störningar, inklusive störningar som kan orsaka önskad funktion av enheten

VARNING – Följande gäller för att minska risken för brand och elektriska stötar:

- a. Installera inte på träd med barr, löv eller grenöverdrag av metall eller material som ser ut som metall.
- b. Undvik att montera eller stödja sladdar på ett sätt som kan skära eller skada sladdisoleringen.

Ansvarsfriskrivning, klass A: Denna utrustning har testats och befunnits uppfylla gränserna för digitala enheter av klass A i enlighet med del 15 av Federal Communications Commissions (FCC) regler. Dessa gränser har tagits fram för att ge rimligt skydd mot skadliga störningar i installationer i bostäder. Denna utrustning genererar, använder och kan utstråla radiofrekvensenergi och om den inte installeras och används i enlighet med instruktionerna kan den orsaka skadliga störningar på radiokommunikation. Det finns dock ingen garanti för att störningar inte inträffar vid en viss installation. Om den här utrustningen orsakar skadliga störningar på mottagningen av radio- eller TV-signal, vilket går att avgöra genom att slå av och på utrustningen, uppmanas användaren att försöka korrigera detta med en eller flera av följande åtgärder:

- Rikta om eller flytta mottagningsantennen.
- Öka avståndet mellan utrustningen och mottagaren.
- Anslut utrustningen till ett uttag som är anslutet till en annan krets än den som mottagaren är ansluten till.
- Kontakta återförsäljaren eller behörig radio-/TV-tekniker för att få hjälp.

Ansvarsfriskrivning för kompatibilitet

Den trådlösa prestandan beror på enhetens trådlösa Bluetooth/WiFi-teknik, se tillverkarens anvisningar. Ledworks SRL ansvarar inte för förlorad data eller läckage till följd av användningen av dessa enheter.

⚠ VARNING!

Anslut inte ljuskedjan till elnätet medan den ligger i förpackningen. Anslutningskabeln kan varken repareras eller bytas ut. ICKE-UTBYTTNINGSBARA GLÖDLAMPOR. Anslut inte denna ljuskedja till enheter från andra tillverkare. VARNING! Strypningsrisk. Förvaras utom räckhåll för små barn.



Den överstrukna soptunnan med hjul anger att produkten ska slängas separat från hushållsavfallet. Den ska lämnas in för återvinning i enlighet med lokala miljöbestämmelser för avfallshantering.

Tillverkaren, Ledworks Srl, intygar att denna enhet uppfyller direktiven (LVD) 2014/35/EU, (RED) 2014/53/EU, (EMC) 2014/30/EU, (RoHS) 2011/65/EU, (REACH) 1907/2006. Den fullständiga EU-försäkran om överensstämmelse finns på följande webbadress: www.twinkly.com/certifications

Systemkrav

Systemkraven för mobiltelefoner är iOS 11 och Android 5. Kolla i appbutiken efter den senaste uppdateringen så att appen fortsätter att fungera optimalt.

Tekniska specifikationer

Strömförsörjning: se etikett
IP-skydd: IP44

Förstklassiga LED-lampor

För att få hög färgåtergivning används endast högkvalitativa LED-lampor i Twinkly-produkter. Twinklys RGB- och RGB+W-produkter tillverkas enligt kvalitetsprinciper och kvalitetsprocesser som gör att vi får hög renhetsgrad i grundfärgerna.

Lägsta spektral renhet för blåa, gröna och röda komponenter visas i tabellen nedan.

Bluetooth-licensiering

Bluetooth Bluetooth®-ordmärket och logotyperna är registrerade varumärken som ävs av Bluetooth SIG, Inc. och all användning av sådana märken av Ledworks SRL sker under licens. Andra varumärken och handelsnamn tillhör deras respektive ägare.

Användning av RF via 802.11 b/g/n Wi-Fi /

Bluetooth V4.2 BR/EDR/LE

Frekvens	2402/2480 Mhz	Blå	> 90%
Maximal utteffekt	<100mW	Grön	> 65%
		Röd	> 95%

Färgrenhetsvärden

* Värden gäller endast RGB (STP)- och RGBW (SPP)-produkter, inte AWW (GOP)-produkter

NO Les och följ alle sikkerhetsinstruksjoner.

1. LES OG FÖLG ALLE SIKKERHETSINSTRUKSJONER.
2. Ikke monter eller plasser i nærheten av gassbaserte eller elektriske varmeovner, peiser, stearinlys eller andre lignende varmekilder.
3. Den eksterne fleksible kabelen eller ledningen til denne armaturen kan ikke byttes ut; Hvis ledningen er skadet, skal armaturen ødelegges. Lyskilden til denne armaturen kan ikke byttes ut; Når lyskilden når slutten av levetiden, skal hele armaturen skiftes ut.
4. Denne artikkelen er ikke egnet for rombelysning, og den er kun til dekorasjonsformål.
5. Ikke fest ledningene til produktet med stifter eller spiker eller plasser dem på skarpe kroker eller spiker.
6. Trekk ut kontakten fra produktet når du forlater huset, eller når du trekker deg tilbake for natten, eller hvis det står uten tilsyn.
7. Koble fra produktet når du forlater huset, eller når du går av for natten, eller hvis det blir stående uten tilsyn.
8. Dette er et elektrisk produkt - ikke et leketøy! For å unngå fare for brann, brannskader, personskader og elektrisk støt bør den ikke lekes med eller plasseres der små barn kan nå den.
9. Ikke bruk dette produktet til annet enn tiltenkt bruk.
10. Ikke heng pyntegenstander eller andre gjenstander fra ledningen eller lysstrengen.
11. Ikke dekk til produktet med klut, papir eller annet materiale som ikke er en del av produktet, når det er i bruk.
12. Ikke lukk igjen dører eller vinduer over produktet eller skjoteledninger, da dette kan skade ledningsisolasjonen.
13. Les og følg alle instruksjoner som er på produktet eller følger med produktet.
14. LAGRE DISSE INSTRUKSJONENE.
15. Ikke koble kjedet til leveransen mens den er i emballasjen.
16. Der det oppstår brudd eller skade på lyspærer, skal kjedet ikke brukes/aktiveres, men kasseres på en sikker måte.
17. Lyspærene er ikke utskiftbare.
18. ADVARSEL – RISIKO FOR ELEKTRISK STÖT HVIS LYSPÆRENE ER KNUSET ELLER MANGLER. IKKE BRUK.

Brúks- og vedlíkehaldsínstruksjónir

- Nár produktet plasserast på et levende tré, skal treet vera godt vedlíkehaldi og frískt. Ikke plasser på levende trær der nálene er brúne eller lett nekkevar av. Sørg for at treholderen til det levende treet heile tíden er fylt með vann.
- Hvis produktet plasserast på et tre, skal treet vera godt sikret og stábil.
- För bruk eller gjenbruk bør du inspisere produktet nøye. Kast alle produkter som har kuttet, skadet eller frynset ledningsisolasjon eller ledningar, sprekker i lampeholdere eller kabinetter, løse koblinger eller synlig kobbertråd.
- Nár du oppbevarer produktet, må du fjerne produktet forsiktig fra der det er plassert, inkludert trær, grener eller busker, for å unngå unødig press eller belastning på produktets ledere, tilkoblinger og ledningar.
- Nár det ikke er i bruk, oppbevar det trygt på et kjølig og tørt sted som er beskyttet mot sollys.
- Driften er underlagt følgende to betingelser: (1) denne enheten må ikke forårsake interferens, og (2) denne enheten må akseptere all interferens, inkludert interferens som kan forårsake uønsket drift av enheten.

ADVARSEL - For å redusere risikoen for brann og elektrisk støt:

- Ikke installer på trær som har belegg av metall på nåler, blader eller grener, eller materialer som ser ut som metall.
- Ikke monter eller støtt ledningar på en måte som kan kutte eller skade ledningsisolasjonen.

Klasse A Ansvarsfraskrivelse: Dette utstyret har blitt testet og funnet å være i samsvar med grensene for en Klasse A digital enhet, i henhold til Del 15 i FCC-reglene. Disse grensene er utformet for å gi rimelig beskyttelse mot skadelig interferens i en boliginstallasjon. Dette utstyret genererer, bruker og kan utstråle radiofrekvensenergi, og hvis det ikke installeres og brukes i samsvar med instruksjonene, kan det forårsake skadelig interferens på radiokommunikasjon. Det er imidlertid ingen garanti for at interferens ikke vil oppstå i en bestemt installasjon. Hvis dette utstyret forårsaker skadelig interferens på radio- eller TV-mottak, noe som kan fastslås ved å slå utstyret av og på, oppfordres brukeren til å prøve å korrigere interferensen med ett eller flere av følgende tiltak:

- Vend eller flytt mottakerantennen.
- Øk avstanden mellom utstyret og mottakeren.
- Koble utstyret til en stikkontakt på en annen krets enn den mottakeren er koblet til.
- Kontakt forhandleren eller en erfaren radio/tv-tekniker for å få hjelp.

Ansvarsfraskrivelse for kompatibilitet

Trådløs ytelse er avhengig av enhetens trådløse Bluetooth/WiFi-teknologi, se produsenten av enheten. Ledworks SRL er ikke ansvarlig for tap av data eller lekkasjer som følge av bruk av disse enhetene.

ADVARSEL!

Ikke koble lysstrengen til strømforsyningen mens den er i emballasjen. Tilkoblingskabelen kan ikke repareres eller erstattes. IKKE UTBYTTBARE LYSPÆRER. Ikke koble denne lysstrengen elektrisk til enheter fra en annen produsent. FORSIKTIG! Kvelningsfare. Oppbevares utligngjelig for små barn.



Symbolet med en søppeldunk med kryss over indikerer at varen skal kastes separat fra husholdningsavfallet. Varen skal leveres til gjenvinning i henhold til lokale miljøforskrifter for avfallshåndtering...

Produsenten, Ledworks Srl, erklærer at denne enheten er i samsvar med (LVD) 2014/35/EU-, (RED) 2014/53/EU-, (EMC) 2014/30/EU-, (RoHS) 2011/65/EU- og (REACH) 1907/2006-direktiver. Den fullstendige teksten til EU-samsvars erklæringen er tilgjengelig på følgende internetadresse: www.twinkly.com/certifications

Systemkrav

Minimum systemkrav for mobiltelefoner er iOS 11 og Android 5. Sjekk appbutikken for siste oppdatering for å sikre best mulige ytelse.

Førsteklasses LED-dioder

For å sikre høy fargegjengivelse bruker Twinkly-produkter kun høykvalitets lysdioder.

Tekniske spesifikasjoner

Strømforsyning: se etikett
IP-beskyttelse: IP44

Twinkly's RGB- og RGB+W-produkter produseres i henhold til kvalitetsprinsipper og prosesser som gjør at vi kan oppnå en høy grad av renhet i primærfargene. Minimumsverdiene for eksitasjonsrenhet for de blå, grønne og røde komponentene er vist i tabellen nedenfor.

Bluetooth-lisensiering

Bluetooth®-ordmerket Bluetooth® og Logoer er registrerte varemerker som eies av Bluetooth SIG, Inc. og enhver bruk av slike merker av Ledworks SRL er under lisens. Andre varemerker og handelsnavn tilhører sine respektive eiere.

Betjene RF for 802.11 b/g/n Wi-Fi / Bluetooth V4.2 BR/EDR/LE

Frekvens 2402/2480 Mhz
Maks utgangseffekt Power <100mW

Verdier for fargerrenhet

Blå	90%
Grønn	> 65%
Rød	> 95%

* Verdien gjelder bare for RGB- (STP) og RGBW- (SPP) produkter, ikke AWW- (GOP) produkter

15 Lestu allar Öryggisleiðbeiningarnar og farðu eftir þeim.

- LESTU ALLAR ÖRYGGISLEIÐBEININGARNAR OG FARÐU EFTIR ÞEIM.
- EKKI SETJA Á EÐA NÁLÆGT GAS- EÐA RAFMAGNSHITURUM, ARNI, KERTUM EÐA ÖÐRUM ÁLIKA HITAGJÖFNUM.
- EKKI ER HÆGT AÐ SKIPTA UM YTRI SVEIGJANLEGAN KAPAL EÐA SNÚRU ÞESSA LAMPA. EF STRENGURINN ER SKEMMDUR SKAL LAMPINN EYÐILAÐUR. EKKI ER HÆGT AÐ SKIPTA UM LJÓSGJAFNA ÞESSA LAMPA. ÞEGAR LJÓSGJAFNIN ER ÚR SÉR GENGINN SKAL SKIPTA UM ALLAN LAMPANN.
- ÞESSI GREIN ER EKKI HENTUGUR FYRIR HERBERGJÓFSINGU OG ÞAÐ ER AÐEINS TIL SKRAUTS.
- EKKI FESTA SNÚRUR VÖRUNNAR MEÐ HEFTUM EÐA NÖGLUM EÐA SETJA ÞÆR Á BEITTA KRÓKA EÐA NAGLA.
- EKKI LÁTA LJÓSHVILA Á RAFMAGNSSNÚRUNNI EÐA VÍR.
- TAKTU VÖRUNA ÚR SAMBANDI ÞEGAR FARIÐ ER ÚT ÚR HÚSI EÐA ÞEGAR GENGIÐ ER TIL SVEFNS EÐA ÞEGAR VARAN ER SKILIN EFTIR ÁN EFTIRLITS.
- ÞETTA ER RAFMAGNSVARA — EKKI LEIKFANG! TIL AÐ KOMA Í VEG FYRIR ELDRHÆTTU, BRUNA, MEIÐSLI OG RAFLOST MÁ EKKI LEIKA MEÐ VÖRUNA EÐA SETJA ÞAR SEM BÖRN NÁ TIL.
- EKKI NOTA ÞESSA VÖRU Á ANNAN HÁTT EN HENNI ER ÆTLAÐ.
- EKKI HENGA SKRAUT EÐA AÐRA HLUTI Á RAFMAGNSSNÚRUNA, VÍRINN EÐA LJÓSASNÚRUNA.
- EKKI HYLLJA VÖRUNA MEÐ KLÆÐI, PAPPÍR EÐA ÖÐRU EFNIS SEM FYLGIÐ EKKI MEÐ VÖRUNUM ÞEGAR HÚN ER Í NOTKUN.
- EKKI LOKA DÝRUM EÐA GLUGGUM Á VÖRUNA EÐA FRAMLINGINGARSNÚRUR ÞVI ÞAÐ GÆTI SKEMMT VÍRAEINANGRUNINA.
- LESTU ALLAR LEIÐBEININGAR SEM ERU Á VÖRUNNI EÐA FYLGJA MEÐ HENNI OG FARÐU EFTIR ÞEIM.
- GEYMDU LEIÐBEININGARNAR.
- EKKI TENGJA SNÚRUNA VIÐ RAFMAGN Á MEÐAN VARAN ER Í UMBÚÐUNUM.
- EF LJÓSIN BROTNA EÐA SKEMMST MÁ EKKI NOTA SNÚRUNA EÐA STINGA HENNI Í SAMBAND, HELDUR SKAL FARGA HENNI Á ÖRUGGAN HÁTT.
- EKKI ER HÆGT AÐ SKIPTA UM LJÓSIN.
- ADVÖRUN - HÆTTA Á RAFLOSTI EF LJÓSIN ERU BROTIN EÐA ÞAU VANTAR. EKKI NOTA.

Leiðbeiningar um notkun og umhirðu

- Þegar varan er sett á lifandi tré þarf það að vera vel viðhaldið og nýtt. EKKI setja vöruna á lifandi tré með brúnt eða stökkt barn sem brotnar auðveldlega af. Láttu trjástandinn alltaf vera fylltan af vatni.
- Ef varan er sett á tré verður það að vera vel fest og stöðugt.
- Skodðu vöruna vandlega fyrir hverja notkun. Hentu öllum vörum sem eru með skorna, skemmda eða trosnada víraeinangrunir eða snúur, sprungur í ljóshöldurum, lausar tengingar eða óvarinn koparvír.
- Þegar varan er sett í geymslu skil taka hana gætilega niður, hvort sem það er úr trjáum, greinum eða runnum, til að koma í veg fyrir óþarfa álag á leiðara, tengi og snúur vörunnar.
- Þegar varan er ekki í notkun skil geyma hana á svölum og þurrum stað þjarrí sólarljósi.
- Notkun er háð eftirfarandi tveimur skilyrðum: (1) þetta tæki má ekki valda truflunum og (2) þetta tæki verður að samþykka truflanir, þar með talið truflanir sem geta valdið óæskilegri notkun tækisins

ADVÖRUN - Til að draga úr hættu á eldsvoða og raflosti:

- Ekki setja vöruna á tré með málmlitni eða efni sem líkist málmvi byrri, laufum eða greinum.
- Ekki festa víra eða setja þá upp þannig að það geti skorið eða skemmt víraeinaingrunina.

Fyrirvari fyrir flokk A: Þessi búnaður hefur verið prófaður og er í samræmi við takmörkin fyrir stafrænt tæki í flokki A, í samræmi við 15. hluta FCC regluna. Þessi takmörk eru hönnuð til að veita hæfilega vernd gegn skaðlegum truflunum í fúðarhúsnæði. Þessi búnaður býr til, notar og geislar útvarpsbylgjum og ef hann er ekki settur upp og notaður samkvæmt leiðbeiningum getur það valdið skaðlegum truflunum á útvarpsfarskipti. Þó er ekki hægt að tryggja að truflunin komi ekki fram í neinni uppsetningu. Ef þessi búnaður veldur skaðlegum truflunum á móttöku útvarps eða sjónvarps, sem hægt er að staðfesta með því að slökka og kveikja á búnaðinum, er notandi hvattur til að reyna að lagfæra truflunina með einni eða fleiri af eftirfarandi aðferðum:

- Breyta stöðu eða staðsetningu móttökulofnetsins.
- Skilja búnaðinn og móttakarann lengra að
- Tengja búnaðinn við innstungu sem er á annarri rafrás en þeirri sem móttakarinn er tengdur við.
- Leita ráða hjá faglærðum útvarps- sjónvarpstækniinni.

Fyrirvari um samhæfi

Þráðlaus afköst eru háð Bluetooth/WiFi þráðlausri tækni tækisins, vinsamlegast skoðaðu framleiðanda tækisins. Ledworks SRL mun ekki bera ábyrgð á tapi gagna eða leka sem stafar af notkun þessara tækja.

⚠ ADVÖRUN!

Ekki tengja ljósauskreytinguna við rafmagn á meðan hún er enn í umbúðunum. Ekki er hægt að gera við tengisnúruna eða skipta um hana. EKKI HÆGT AÐ SKIPTA UM PERUR. Ekki tengja þessa ljósauskreytingu rafrænt við tæki frá öðrum framleiðanda. VARÚD! Hættu á kyrkingu. Geymist þar sem ung börn ná ekki til.



Tákníð með yfirskrifaða ruslafötu merkir að ekki megj fleygja vörurni með venjulegu heimilisrorpi. Endurinnvið vöruna í samræmi við gildandi innlendir reglugerðir um förgun úrgangs.

Framleiðandinn, Ledworks Srl, lýsir því yfir að þetta tæki er í samræmi við tilskipanir (LVD) 2014/35/EU, (RED) 2014/53/EU, (EMC) 2014/30/EU, (RoHS) 2011/65/EU, (REACH) 1907/2006.

Hægt er að nálgast allan texta ESB-samræmisfyrirlysingarinnar á eftirfarandi vefslóð: www.twinkly.com/certifications

Kerfskröfur

Lágmarkskröfur fyrir snjallsíma eru iOS 11 og Android 5. Finndu nýjustu uppfærsluna í app store til að tryggja sem besta frammistöðu.

Tæknilysingar

Aflgjafi: sjá merki
IP vörn: IP44

Fyrsta flokk LED díóður

Vörurnar frá Twinkly eru eingöngu með hágæða LED ljós til að tryggja skæra líti. RGB og RGB+W vörur frá Twinkly eru framleiddar samkvæmt gæðareglum og -ferlum sem gera okkur kleift að ná fram afar hreinum og skærum framlitum. Lágmarks hreinleikagildi í bláum, grænum og rauðum litum koma fram í töflunni hér fyrir neðan.

Bluetooth leyfi

Bluetooth Bluetooth® orðmerkið og lógóin eru skráð vörumerki í eigu Bluetooth SIG, Inc. og öll notkun Ledworks SRL á slíkum merkjum er undir leyfi. Aðrir kaupmenn og viðskiptaheli eru eigendur þeirra.

Útvarpstíðni fyrir 802.11 b/g/n Wi-Fi /
Bluetooth V4.2 BR/EDR/LE

Tíðni 2402/2480 Mhz
Hámarks frálagsafl <100mW

Litahreineikagildi

Blár > 90%
Grænn > 65%
Rauður > 95%

* Gildin eigna eingöngu við um RGB (STP) og RGBW (SPP) vörur, ekki AWW (GOP) vörur

SL Preberite in upoštevajte vsa varnostna navodila.

- PREBERITE IN UPOŠTEVAJTE VSA VARNOSTNA NAVODILA.
- Izdelka ne nameščajte in ne postavljajte v bližino plinskih ali električnih grelnikov, kaminov, sveč ali drugih podobnih virov toplote.
- Zunanje ga glibljivega kabla ali vrvice te svetilke ni mogoče zamenjati; če je vrvice poškodovana, je treba svetilko uničiti. Svetlobnega vira te svetilke ni mogoče zamenjati; ko se življenjska doba svetlobnega vira izteče, je treba zamenjati celotno svetilko.
- Ta izdelek ni primeren za osvetlitev prostora in je namenjen le za dekoracijo.
- Žic izdelka ne pritrjujte s sponkami ali žebeljčki oziroma jih ne nameščajte na ostre kaveljčke ali žebeljčke.
- Poskrbite, da se žarnice ne dotikajo napajalnega kabla ali katere koli žice.
- Izdelek izklopite iz vtičnice, če zapustite hišo, če se odpravite spat ali če ga pustite brez nadzora.
- To je električni izdelek, ne igrača! Če želite preprečiti tveganje povzročitve požara, opeklin, telesnih poškodb ali električnega udara, se z izdelkom ne igrajte oziroma ga ne odlagajte na mesta, kjer bi ga lahko dosegli majhni otroci.
- Izdelek uporabljajte samo za predviden namen.
- Na napajalni kabel, žico ali svetlobni trak ne obešajte okraskov in drugih predmetov.
- Med uporabo izdelka ne prekrivajte s krpico, papirjem ali katerim koli materialom, ki ni del izdelka.
- Ne zapirajte vrat ali oken na kabel ali žice izdelka ali podaljške, ker lahko poškodujete izolacijo žice.
- Preberite in upoštevajte vsa navodila, ki so navedena na izdelku ali so mu priložena.
- SHRANITE TA NAVODILA.
- Verige ne priključite v omrežje, če je v embalaži.
- Če pride do zloma ali poškodbe žarnic, verige ne smete uporabljati/napajati, temveč jo morate varno zavreči.
- Žarnic ni mogoče zamenjati.
- OPOZORILO – NEVARNOST ELEKTRIČNEGA UDARA, ČE SO ŽARNICE POŠKODOVANE ALI MANJKAJO. IZDELKA NE UPORABLJAJTE.

Navodila za uporabo in vzdrževanje

- Izdelek namestite samo na dobro vzdrževano in sveže drevo. Izdelka ne nameščajte na drevesa, kjer so iglice rjave ali se zlahka odlomijo. Podstavek drevesa naj bo napolnjen z vodo.
- Če izdelek namestite na drevo, mora biti to drevo dobro zavarovano in stabilno.
- Pred uporabo ali vnovično uporabo natančno pregledjte izdelek. Zavrzite vse izdelke, ki imajo prerezano, poškodovano ali obrabljeno izolacijo ali kable žic, razpoke v nosilcih ali ohlilnih žarnic, razrahljane povezave ali izpostavljenno bakreno žico.
- Pri shranjevanju izdelka bodite pozorni, da izdelek skrbno odstranite z nameščenege elementa, vključno z drevesi, vejami ali grmovjem. S tem se izognete nepotrebnim obremenitvam prevodnikov, priključkov in žic izdelka.
- Ko izdelek ni v uporabi, ga hranite v hladnem in suhem prostoru brez sočne svetlobe.
- Če delovanje veljata naslednja dva pogoja: (1) ta naprava ne sme povzročiti motenj in (2) ta naprava mora sprejeti vse motnje, vključno z motnjami, ki lahko povzročijo neželeno delovanje naprave.

OPOZORILO – če želite zmanjšati tveganje povzročitve požara in električnega udara:

- Izdelka ne nameščajte na drevesa z iglicami, listi ali prevlekami vej iz kovine ali materialov, ki so podobni kovini.
- Ne namestite žic na način, kjer bi lahko prišlo do poškodbe izolacije žic.

Izjava o omejitvi odgovornosti za razred A: Ta oprema je bila preizkušena in je skladna z omejitvami za digitalne naprave razreda A v skladu s 15. členom pravil FCC. Te omejitve so zasnovane tako, da zagotavljajo razumno zaščito pred škodljivimi motnjami pri namestitvi v stanovanjskih prostorih. Ta oprema ustvarja, uporablja in lahko oddaja radiofrekvenčno energijo, ki v primeru namestitve, ki ni v skladu z navodili, lahko povzroči škodljive motnje v radijskih komunikacijah. Kljub temu ni nobenega zagotovila, da pri določeni namestitvi ne bo prišlo do motenj. Če ta oprema povzroči škodljive motnje pri radijskem ali televizijskem sprejemu, kar je mogoče ugotoviti z izklopom in vklopom opreme, uporabniku opreme svetujemo, da poskusi

odpraviť motnje z enim ali več urkepi;

- Preusmeritev ali prestavitav sprejemne antene.
- Preusmeritev ali prestavitav sprejemne antene.
- Prílopku opreme v vtičnicu v tokokrogu, ki se razlikuje od tistega, v katerega je priključien sprejemník.
- Posvet s prodajalcem ali izkušenim radijským/televizýjským technikom.

Zavrntev odgovornosti glede zdrúživosti

Brezčična zmogljivost je odvísna od brezčične tehnológie Bluetooth/WiFi vaše naprave, zato se obrnite na proizvajalca naprave. Družba Ledworks SRL ni odgovorna za morebitno izgubo podatkov ali uhajanje, ki bi nastalo zaradi uporabe teh naprav.

OPOZORILO!

Svetlobnega traku ne priklopite na napajanje, dokler je v embalaži. Priključnega kabla ni mogoče popraviti ali zamenjati. NEZAMENJLJIVE ŽARNICE. Svetlobnega traku električno ne povežite z napravami drugih proizvajalcev. POZOR! Nevarnost zadržite. Hranite zunaj dosega majhnih otrok.



Simbol prečrtanega smetnjaka na kolesih pomeni, da je izdelek treba odvreci ločeno od drugih gospodíjskích odpadkov. Izdelek je treba oddati v reciklažo skladno z lokalnimi okoljskimi predpisi za odstraňevanje odpadkov.

Proizvajalec Ledworks Srl izjavlja, da je ta naprava skladna z direktivami (LVD) 2014/35/EU, (RED) 2014/53/EU, (EMC) 2014/30/EU, (RoHS) 2011/65/EU, (REACH) 1907/2006. Celotno besedilo EU izjave o skladnosti je na voljo na spletnem naslovu: www.twinkly.com/certifications

Sistemske zahteve

Najmanjše sistemske zahteve za mobilne telefone sta sistem iOS 11 in Android 5. Če želite zagotoviti najboljše delovanje aplikacije, v trgovini z aplikacijami preverite za najnovejšo posodobitev.

Tehnični podatki

Napajanje: glej etiketo
Stopnja zaščite IP: IP44

Vrhunske lučke LED

Da bi zagotovili visoko barvno upodabljanje, v izdelkih Twinkly uporabljamo samo visokokakovostne lučke LED.

Izdelki Twinkly RGB in RGB+W so izdelani po načelih kakovosti in postopkih, ki nam omogočajo visoko stopnjo čistosti osnovnih barv.

Najmanjše vrednosti čistosti komponent modre, zelene in rdeče so prikazane v spodnji tabeli.

Licenciranje Bluetooth

Besedna znamka in logotipi Bluetooth Bluetooth® so registrirane blagovne znamke v lasti družbe Bluetooth SIG, Inc. in vsaka uporaba teh znamk s strani družbe Ledworks SRL je licenčna. Druge blagovne znamke in trgovska imena so last njihových lastnikov.

Radijska frekvenca za 802.11 b/g/n Wi-Fi / Bluetooth V4.2 BR/EDR/LE	Vrednosti čistosti barve
Frekvenca 2402/2480 Mhz	Modra > 90%
Največja izhodna moč <100mW	Zelena > 65%
	Rdeča > 95%

* Vrednosti veljajo samo za izdelke RGB (STP) in RGBW (SPP), ne veljajo za izdelke AWW (GOP)

Prečítajte si a dodržiavajte všetky bezpečnostné pokyny.

1. PREČÍTAJTE SI A DODRŽÍVAJTE VŠETKY BEZPEČNOSTNÉ POKYNY.
2. Neinštalujte ani neumiestňujte do blízkosti plynových alebo elektrických ohrievačov, krbov, sviečok alebo iných podobných zdrojov tepla.
3. Vonkajší ohybný kábel alebo šnúru tohto svetidla nemožno vymeniť; ak sa šnúra poškodí, svetidlo sa zničí. Svetelný zdroj tohto svetidla nie je možné vymeniť; keď sa životnosť svetelného zdroja skončí, musí sa vymeniť celé svetidlo.
4. Tento výrobok nie je vhodný na osvetlenie miestnosti a slúži len na dekoráciu.
5. Zapojenie výrobku nezabepčujejte sponkami alebo klincami, ani ich neumiestňujte na ostré

- háčky alebo klince.
6. Nenechávajte lampy ležať na prírodnom kábli alebo na akomkoľvek kábli.
7. Pri odchode z domu alebo pri odchode na noc, alebo ak zostane bez dozoru, odpojte výrobok zo zásuvky.
8. Toto je elektrický výrobok - nie hračka! Aby sa predišlo riziku požiaru, popálenia, poranenia osôb a úrazu elektrickým prúdom, nemali by sa s ním hrať ani ho umiestňovať na stenách, kde naň môžu dosiahnuť malé deti.
9. Nepoužívajte tento výrobok na iné ako určené použitie.
10. Na kábel, drôt alebo svetelnú šnúru nezavesujte ozdoby ani iné predmety.
11. Počas používania nezakrývajte výrobok látkou, papierom ani žiadnym materiálom, ktorý nie je súčasťou výrobku.
12. Nezatvárajte dvere alebo okná na výrobku alebo predžhovacích kábloch, pretože by mohli dôjsť k poškodeniu izolácie vodičov.
13. Prečítajte si a dodržiavajte všetky pokyny, ktoré sú uvedené na výrobku alebo dodané s výrobkom.
14. USCHOVÁJTE TIETO POKYNY.
15. Nepripájajte retaz k zdroju, pokiaľ je v obale.
16. Ak dôjde k rozbitiu alebo poškodeniu žiaroviek, retaz sa nesmie používať/napájať, ale musí sa bezpečne zlikvidovať.
17. Žiarovky nie sú vymeniteľné.
18. VÁROVANIE - RIZIKO ÚRAZU ELEKTRICKÝM PRÚDOM, AK SÚ LAMPY ROZBITÉ ALEBO CHÝBAJÚ. NEPOUŽÍVAJTE.

Návod na použitie a starostlivosť

- a. Je výrobok umiestnený na živom strome, strom by mal byť dobre udržiavaný a čerstvý. Prípravok neumiestňujte na živé stromy, ktoré ihličie je hnedé alebo sa ľahko láme. Držiak na živý stromček udržiavajte naplnený vodou.
- b. Ak je výrobok umiestnený na strome, strom by mal byť dobre upevný a stabilný.
- c. Pred použitím alebo opätovným použitím výrobok dôkladne skontrolujte. Zlikvidujte všetky výrobky, ktoré majú prerazanú, poškodenú alebo rozstrapkanú izoláciu vodičov alebo káblov, praskliny v držiakoch alebo kroyoch svetielidi, uvoľnené spoje alebo odhalené medené vodiče.
- d. Pri skladovaní výrobku opatrne odstráňte výrobok z miesta, kde je umiestnený, vrátane stromov, konárov alebo kroyov, aby ste zabránili akémukoľvek nadmernému namáhaniu alebo zataženiu vodičov, spojov a káblov výrobku.
- e. Ak sa nepoužíva, skladujte ho na chladnom a suchom mieste chránenom pred slnečným žiarením.
- f. Prevádzka podlieha nasledujúcim dvom podmienkam: (1) toto zariadenie nesmie spôsobovať rušenie a (2) toto zariadenie musí akceptovať akékoľvek rušenie vrátane rušenia, ktoré môže spôsobiť nežiaduce fungovanie zariadenia

VÁROVANIE - Na zníženie rizika požiaru a úrazu elektrickým prúdom:

- a. Neinštalujte na stromy, ktoré majú ihličie, listy alebo konáre pokryté kovom alebo materiálmi, ktoré vyzerajú ako kov.
- b. Nepripievňujte ani nepodpierajte vodiče spôsobom, ktorý by mohol prerzať alebo poškodiť izoláciu vodičov.

Upozornenie na triedu A: Toto zariadenie bolo testované a vyhovuje limitom pre digitálne zariadenia triedy A podľa časti 15 pravidiel FCC. Tieto limity sú navrhnuté tak, aby poskytovali primeranú ochranu pred škodlivým rušením v obytných inštaláciách. Toto zariadenie generuje, využíva a môže vyzarovať rádiovú frekvenciu energiu, a ak nie je nainštalované a používané v súlade s pokynmi, môže spôsobiť škodlivé rušenie rádiové komunikácie. Neexistuje však žiadna záruka, že v konkrétnej inštalácii nedôjde k rušeniu. Ak toto zariadenie spôsobuje škodlivé rušenie rozhlasového alebo televízneho príjmu, čo možno zistiť vypnutím a zapnutím zariadenia, používateľovi sa odporúča, aby sa pokúsil odstrániť rušenie jedným alebo viacerými z nasledujúcich opatrení:

- Zmeňte orientáciu alebo umiestnenie prijímačej antény.
- Zvýšte vzdialenosť medzi zariadením a prijímačom.
- Zariadenie pripojte do zásuvky v inom obvode, ako je obvod, ku ktorému je pripojený prijímač.
- Poradte sa s predajcom alebo skúseným technikom pre rádio/televíziu.

Zrieknutie sa zodpovednosti za kompatibilitu

Brezčična zmogljivost je odvísna od brezčične tehnológie Bluetooth/WiFi vaše naprave, zato se obrnite na proizvajalca naprave. Družba Ledworks SRL ni odgovorna za morebitno izgubo podatkov ali uhajanje, ki bi nastalo zaradi uporabe teh naprav.

VÝSTRAHA!

Svetelný reťazec nepripájajte k zdroju napájania, kým je v obale. Pripojovací kábel nie je možné opraviť ani vymeniť. NEVYMENITELNÉ ŽÁROVKY. Túto svetelnú reťaz elektricky nepripájajte k zariadeniam od iného výrobcu. POZOR! Nebezpečnosť úškrtenia. Uchovávajte mimo dosahu zariadení detí.



Symbol preškrtnutého koša na odpady na kolieskach znamená, že predmet by sa mal likvidovať oddelene od odpadu z domácnosti. Predmet by sa mal odovzdať na recykláciu v súlade s miestnymi predpismi o ochrane životného prostredia pre likvidáciu odpadu.

Výrobca, spoločnosť Ledworks Srl, vyhlasuje, že toto zariadenie je v súlade so smernicami (LVD) 2014/35/EU, (RED) 2014/53/EU, (EMC) 2014/30/EU, (RoHS) 2011/65/EU, (REACH) 1907/2006. Úplné znenie EÚ vyhlásenia o zhode je k dispozícii na tejto internetovej adrese: www.twinkly.com/certifications.

Systémové požiadavky

Minimálne systémové požiadavky pre mobilné telefóny sú iOS 11 a Android 5. Ak chcete zabezpečiť čo najlepšiu výkonnosť, kontrolujte si v obchode s aplikáciami najnovšiu aktualizáciu.

Prvotriedne LED diódy

Na zabezpečenie vysokého podania farieb používajú produkty Twinkly iba vysokokvalitné LED diódy.

Produkty Twinkly RGB a RGB+W sa vyrábajú podľa zásad kvality a procesov, ktoré nám umožňujú získať vysoký stupeň čistoty základných farieb.

Minimálne hodnoty čistoty budenia modrých, zelených a červených komponentov sú uvedené v tabuľke nižšie.

Licencovanie Bluetooth

Slovná značka a logá Bluetooth Bluetooth® sú registrované ochranné známky, ktoré vlastní spoločnosť Bluetooth SIG, Inc., a akékoľvek použitie týchto značiek spoločnosť Ledworks SRL je na základe licencie. Ostatné ochranné známky a obchodné názvy patria príslušným vlastníkom.

Prevádzkové RF pre 802.11 b/g/n Wi-Fi / Bluetooth V4.2 BR/EDR/LE
 Frekvencia 2402/2480 Mhz
 Maximálny výstupný výkon <100mW

Technické špecifikácie

Napájanie: pozri štítok
 Krytie IP: IP44

Hodnoty čistoty farieb
 Modrá > 90%
 Zelená > 65%
 Červená > 95%

* Hodnoty platia len pre produkty RGB (STP) a RGBW (SPP), nie produkty AWW (GOP)

Přečtěte si a dodržujte všechny bezpečnostní pokyny.

1. PŘEČTĚTE SI A DODRŽUJTE VŠECHNY BEZPEČNOSTNÍ POKYNY.
2. Neinstalujte a neumisťujte produkt v blízkosti plynových nebo elektrických ohřivačů, krbů, svíček nebo jiných podobných zdrojů tepla.
3. Vnější ohebný kabel nebo šňůru tohoto svítidla nelze vyměnit; pokud je šňůra poškozena, musí být svítidlo zničeno. Světelný zdroj tohoto svítidla nelze vyměnit; po skončení životnosti světelného zdroje se celé svítidlo vymění.
4. Tento výrobek není vhodný k osvětlení místnosti a slouží pouze k dekoračním účelům.
5. Nezajišťujte kabeláž produktu sponkami nebo hřebíky ani jej nepokládejte na ostré háčky nebo hřebíky.
6. Nenechávejte žárovky ležet na napájecím kabelu nebo na jakémkoliv jiném drátu.
7. Odpojte produkt ze zásuvky, když opouštíte dům, když jdete spát, nebo kdykoliv je ponechán bez dozoru.
8. Toto je elektrický výrobek – ne hračka! Abyste se vyhnuli riziku požáru, popálení, zranění osob a úrazu elektrickým proudem, umístěte ho tak, aby na něj nedosáhly malé děti a nehrály si s ním.
9. Nepoužívejte tento výrobek k jiným účelům, než ke kterým je určen.
10. Nezávěšujte na kabel, dráty nebo řetěz ozdoby nebo jiné předměty.

11. Při používání nezakrývejte produkt látkou, papírem ani jiným materiálem, který není součástí produktu.
12. Nepřivírejte produkt ani prodlužovací kabely do dveří ani oken, mohlo by dojít k poškození izolace vodičů.
13. Přečtěte si a dodržujte všechny pokyny uvedené na produktu nebo s ním dodané.
14. USCHOVEJTE TYTO POKYNY.
15. Nepřipojujte řetěz ke zdroji, pokud je v obalu.
16. Pokud dojde k rozbití nebo poškození žárovek, řetěz nesmí být používán/napájen, ale musí být bezpečně zlikvidován.
17. Žárovky nejsou vyměnitelné.
18. VAROVÁNÍ – RIZIKO ÚRAZU ELEKTRICKÝM PROUDEM, POKUD JSOU ŽÁROVKY PORUŠENÉ NEBO CHYBĚJÍ. V TAKOVÉM PŘÍPADĚ PRODUKT NEPOUŽÍVEJTE.

Návod k použití a údržbě

- a. Když je produkt umístěn na živý stromek, stromek by měl být v dobré kondici a čerstvý. Nepokládejte světla na stromky, které mají suché nebo opadávající jehličí. Stojan na stromek by měl být naplněný vodou.
- b. Pokud je produkt umístěn na stromku, měl by být stromek dobře zajištěný a stabilní.
- c. Před použitím nebo opětovným použitím výrobek pečlivě zkontrolujte. Zlikvidujte všechny produkty, které mají nařiznutou, poškozenou nebo rozřezanou izolaci kabelů, praskliny v objímkách nebo krytech žárovek, uvolněné spoje nebo obnažené měděné vodiče.
- d. Při uklizení produktu ho opatrně odstraňte ze všech míst, kde je nainstalován, včetně stromků, větví nebo keřů, tak, aby nedošlo k nadměrnému namáhání vodičů nebo konektorů produktu.
- e. Když se produkt nepoužívá, skladujte ho bezpečně na chladném a suchém místě chráněném před slunečním zářením.
- f. Provoz podléhá následujícím dvěma podmínkám: (1) toto zařízení nesmí způsobovat rušení a (2) toto zařízení musí akceptovat jakékoli rušení, včetně rušení, které může způsobit rušení provoz zařízení.

VAROVÁNÍ - pro snížení rizika požáru a úrazu elektrickým proudem:

- a. Neinstalujte na stromky s jehličím, listím nebo obaly větví z kovu nebo materiálů, které vypadají jako kov.
- b. Nemontujte ani nepodpírejte dráty způsobem, při kterém by mohlo dojít k přefíznutí nebo poškození izolace kabelu.

Prohlášení třídy A: Toto zařízení bylo testováno a splňuje limity pro digitální zařízení třídy A podle části 15 pravidel FCC. Tyto limity jsou navrženy tak, aby poskytovaly přiměřenou ochranu proti škodlivému rušení při instalaci v obytném prostoru. Toto zařízení generuje, využívá a může vyzařovat vysokofrekvenční energii, a pokud není instalováno a používáno v souladu s pokyny, může způsobit škodlivé rušení rádiových komunikací. Neexistuje však žádná záruka, že v konkrétní instalaci k rušení nedojde. Pokud toto zařízení způsobuje škodlivé rušení rozhlasového nebo televizního příjmu, což lze zjistit vypnutím a zapnutím zařízení, doporučujeme uživateli, aby se pokusil rušení odstranit jedním nebo více z následujících opatření:

- Přeorientujte nebo přemístěte přijímací anténu.
- Zvětšete vzdálenost mezi zařízením a přijímačem.
- Připojte zařízení do zásuvky na jiném okruhu, než ke kterému je připojen přijímač.
- Požádejte o pomoc prodejce nebo zkušeného rádiového/televizního technika.

Prohlášení o kompatibilitě

Bezdrátový výkon závisí na bezdrátové technologii Bluetooth/WiFi vašeho zařízení, informujte se u výrobce zařízení. Společnost Ledworks SRL nenes žádnou odpovědnost za ztrátu dat nebo úniky vyplývající z používání těchto zařízení.

VAROVÁNÍ!

Nepřipojujte světelný řetěz k napájecímu zdroji, dokud je v obalu. Připojovací kabel nelze opravit ani vyměnit. NEVYMENITELNÉ ŽÁROVKY. Nepřipojujte tento světelný řetěz k elektrickým zariadením od jiného výrobcu. POZOR! Nebezpečí úškrtení. Uchovávajte mimo dosah malých detí.



Symbol preškrtnutého popelnice na kolečkách znamená, že produkt by neměl být ukládan do smíseneho odpadu. Měl by byť predaný k recyklácii v souladu s miestnymi predpismi o životnom prostredí pro likvidaci odpadu.

Výrobce Ledworks Srl prohlašuje, že toto zařízení je v souladu s (LVD) 2014/35/EU, (RED) 2014/53/EU, (EMC) 2014/30/EU, (RoHS) 2011/65/EU, (REACH) 1907/2006. Plně znění EU prohlášení o shodě je k dispozici na následující internetové adrese: www.twinkly.com/certifications

Systémové požadavky

Minimální systémové požadavky pro mobilní telefony jsou iOS 11 a Android 5. Chcete-li zajistit nejlepší výkon, zkontrolujte v obchodě s aplikacemi nejnovější aktualizace.

Technické specifikace

Napájení: viz štítek
Krytí IP: IP44

Prvotřídní LED diody

Pro zajištění vysokého barevného rozlišení používají produkty Twinkly pouze vysoce kvalitní LED diody.

Produkty Twinkly RGB a RGB+W jsou vyráběny podle zásad kvality a procesů, které nám umožňují získat vysoký stupeň čistoty základních barev.

Minimální hodnoty čistoty excitace modré, zelené a červené složky jsou uvedeny v tabulce níže.

Licencování Bluetooth

Slovní značka a logo Bluetooth Bluetooth® jsou registrované ochranné známky vlastněné společností Bluetooth SIG, Inc. a jakékoli použití těchto značek společností Ledworks SRL podléhá licenci. Ostatní ochranné známky a obchodní názvy patří příslušným vlastníkům.

Provoz bexdrátového připojení 802.11 b/g/n Wi-Fi / Bluetooth V4.2 BR/EDR/LE

Frekvence 2402/2480 Mhz
Maximální výstupní výkon <100mW

Hodnoty čistoty barev

Modrá > 90%
Zelená > 65%
Červená > 95%

* Hodnoty platí pouze pro produkty RGB (STP) a RGBW (SPP), nikoli produkty AWW (GOP)

HU Olvassa el és tartsa be az összes biztonsági utasítást.

1. OLVASSA EL ÉS TARTSON BE MINDEN BIZTONSÁGI UTASÍTÁST
2. Ez a szonális felhasználású termék nem állandó telepítésre vagy használatra készült. A lámpatest külső hálójának kábele vagy zsinórnja nem cserélhető; ha a zsinór megsérül, a lámpatestet meg kell semmisíteni. A lámpatest fényforrása nem cserélhető; ha a fényforrás eléri élettartama végét, az egész lámpatestet ki kell cserélni.
3. Ez a cikk nem alkalmas helyiségek megvilágítására, és csak dekorációs célokra szolgál.
4. Ne szerelje fel vagy helyezze gáz- vagy elektromos fűtőtestek, kandallók, gyertyák vagy hasonló hőforrások közelébe.
5. Ne rögzítse a termék vezetékeit kapcsokkal vagy szögekkel, és ne akassza éles horgokra vagy szögekre.
6. Ne engedje, hogy a lámpák érintkezzenek a tápkábelrel vagy bármilyen vezetékkel.
7. Húzza ki a terméket a konnektorból, ha elhagyja a házat, nyugovóra tér, vagy felügyelet nélkül hagyja.
8. Ez egy elektromos termék – nem játékszer! A tűz, égés, személyi sérülések és áramütés veszélyének elkerülése érdekében nem szabad játszani vele, vagy olyan helyre helyezni, ahol kisgyermekek elérhetik.
9. A terméket ne használja a rendeltetésétől eltérő célra.
10. A zsinórra, vezetékre vagy fénycsőre ne akasszon ezeket vagy más tárgyakat.
11. Használat közben ne takarja le a terméket ruhával, papírral vagy más anyaggal, amely nem a termék része.
12. Ne csukja rá az ajtót vagy ablakot a termékre vagy a hosszabbító kábelekre, mert ezzel megsérülhet a vezeték szigetelése.
13. Olvassa el és tartsa be a terméken található vagy a termékhez mellékelte összes utasítást.
14. ÖRIZZÉ MEG EZEKET AZ UTASÍTÁSOKAT.
15. Ne csatlakoztassa a láncot a tápellátáshoz, amíg be van csomagolva.
16. Ha a lámpák eltörnek vagy megsérülnek, a láncot nem szabad használni/feszítésig alá helyezni, biztonságosan ártalmatlanítani kell.
17. A lámpák nem cserélhetők.
18. A lámpák nem cserélhetők.
19. FIGYELMEZTETÉS – A TÖRÖTT VAGY HIÁNYZÓ LÁMPA ÁRAMÚTÉST OKOZHAT. NE HASZNÁLJA.

Használati és kezelési utasítások

- a. Ha a terméket élő fára helyezi, a fa legyen gondozott és friss. Ne helyezze olyan élő fára, amelyen a tűk barnák vagy könnyen hullanak. Az élő fa tartója mindig legyen vízzel feltöltve.
- b. Ha a terméket fára helyezi, a fát rögzítse szilárdan, hogy stabilan álljon.
- c. Használat vagy ismételt használat előtt alaposan vizsgálja meg a terméket. Dobjon ki minden olyan terméket, amelyen elvágódott, megsérült vagy kikopott a vezeték szigetelése vagy maga a vezeték, megpredet a lámpa tartója vagy burkolata, megglazultak a csatlakozások vagy csupaszáá vált a rézhuzal.
- d. A termék tárolásakor óvatosan távolítsa el a terméket a helyéről, beleértve a fákat, ágakat vagy bokrokat, hogy a termék csatlakozásai, csatlakozói és vezetékei ne legyenek túlzott fizikai hatásoknak vagy igénybevételek kitéve.
- e. Ha nem használja, tárolja hűvös, száraz, napfénytől védett helyen.
- f. A működésre a következő két feltétel vonatkozik: (1) ez a készülék nem okozhat interferenciát, és (2) ennek a készüléknek minden interferenciát el kell fogadnia, beleértve az olyan interferenciát is, amely a készülék nem kívánt működését okozhatja.

FIGYELMEZTETÉS - A tűz és az áramütés kockázatának csökkentése érdekében:

- a. Ne telepítse olyan fára, amelyek túli, levelei vagy ágai fémekkel vagy fémekkel látszó anyaggal vannak bevonva.
- b. Ne szerelje fel vagy támassza alá a vezetékeket úgy, hogy a vezetékek szigetelése megszakadjon vagy megsérüljön.

A osztályú felelősség kizárása: A berendezést tesztelték, és megállapították, hogy megfelel a 02 osztályú digitális eszközök vonatkozó határértékeinek az FCC-szabályok 15. részét értelmében. Ezeket a határértékeket úgy határozták meg, hogy lakossági telepítés esetén észszerű védelmet nyújtsanak a káros interferenciák ellen. A berendezés rádiófrekvenciás energiát állít elő, használ és sugározhat ki, és ha nem az utasításoknak megfelelően telepítik és használják, zavarhatja a rádiókommunikációt. Azonban nem garantálható, hogy egy konkrét telepítés során nem lép fel zavar. Ha a berendezés káros interferenciát okoz a rádió- vagy televízióvetélben, ami a berendezés ki- és bekapcsolásával állapítható meg, azt tanácsoljuk, hogy próbálja meg kiküszöbölni az interferenciát az alábbi intézkedések valamelyikével vagy azok kombinációjával:

- Irányítsa más felé, vagy helyezze át a vevőantennát.
- Növelje a távolságot a berendezés és a vevő között.
- Csatlakoztassa a berendezést a vevő áramkörétől különböző áramkörön lévő aljzathoz.
- Kérjen segítséget a kereskedőtől vagy egy tapasztalt rádió-/televízió-technikustól.

Kompatibilitási nyilatkozat

A vezeték nélküli teljesítmény az eszköz Bluetooth/WiFi vezeték nélküli technológiájától függ, kérjük, forduljon az eszköz gyártójához. A Ledworks SRL nem vállal felelősséget az ilyen eszközök használatából eredő adatvesztésért vagy szivárgásért.

FIGYELEM!

Ne csatlakoztassa a fénycsőre a tápegyesítő, amíg be van csomagolva. A csatlakozókábel nem javítható vagy cserélhető. NEM CSERÉLHETŐ IZZÓK. Ne csatlakoztassa a fénycsőre más gyártó készülékeinek elektromos rendszeréhez. VIGYÁZAT! Fulladásveszély. Kisgyermekek elől elzárva tartandó.



Az áthúzott keresek kuka szimbólum azt jelzi, hogy az elemet a háztartási hulladéktól elkülönítve kell kidobni. A terméket a helyi hulladékkezelési előírásoknak megfelelően kell leadni újrahasznosítás céljából.

A gyártó, a Ledworks Srl kijelenti, hogy az eszköz megfelel az (LVD) 2014/35/EU, (RED) 2014/53/EU, (EMC) 2014/30/EU, (RoHS) 2011/65/EU, (REACH) 1907/2006 irányelveknek. Az EU-megfelelőségi nyilatkozat teljes szövege a következő internetes címen érhető el: www.twinkly.com/certifications

Rendszertovetelmény

A mobiltelefonok rendszerére vonatkozó minimális követelmény iOS 11 illetve Android 5. A legjobb teljesítmény érdekében keresse a legújabb frissítéseket az Alkalmazásáruházban.

Műszaki adatok

Tápellátás: lásd a címkét
IP védettség: IP44

Prémium minőségű LED-diódák

A minőségi színvisszaadás érdekében a Twinkly termékek csak kiváló minőségű LED-eket

használnak.

A Twinkly RGB és RGB+W termékei olyan minőségi elvek betartásával és eljárásokkal készülnek, amelyek segítségével nagy tisztaságú alapszíneket érhetünk el.

Az alábbi táblázat a kék, zöld és piros komponensek minimális gerjesztési tisztasági értékeit mutatja.

Bluetooth-hírcelések

A Bluetooth Bluetooth® szövédjegy és a logó a Bluetooth SIG, Inc. bejegyzett védjegyei, és a Ledworks SRL által történő felhasználásuk licenc alapján történik. Egyéb védjegyek és kereskedelmi nevek a megfelelő tulajdonosok tulajdonát képezik.

Az RF működötése 802.11 b/g/n Wi-Fi / Bluetooth V4.2 BR/EDR/LE		Szintisztasági értékek
Frekvencia	2402/2480 Mhz	Kék > 90%
Max kimeneti teljesítmény	<100mW	Zöld > 65%
		Piros > 95%

* Az értékek csak RGB (STP) és RGBW (SPP) termékekre vonatkoznak, AWW (GOP) termékekre nem

RO Citește și urmează toate instrucțiunile privind siguranța.

- CITEȘTE ȘI URMEAZĂ TOATE INSTRUCȚIUNILE PRIVIND SIGURANȚA.
- Nu monta și nu amplasa lângă încălzitoare pe gaz sau electrice, șeminee, lumânări sau alte surse similare de căldură.
- Cablul sau cablul flexibil extern al acestui corp de iluminat nu poate fi înlocuit; în cazul în care cablul este deteriorat, corpul de iluminat trebuie distrus. Sursa de lumină a acestui corp de iluminat nu poate fi înlocuită; atunci când sursa de lumină ajunge la sfârșitul duratei de viață, înțregul corp de iluminat trebuie înlocuit.
- Acest articol nu este potrivit pentru iluminarea unei încăperi și este doar în scop decorativ.
- Nu fixa cablurile produsului cu capace sau cuie și nu pune pe cărlige sau cuie ascuțite.
- Nu lăsa lămpile să se sprijine pe cablul de alimentare sau pe orice cablu.
- Deconectează produsul când pleci de acasă, când te culci sau dacă este lăsat nesupravegheat.
- Acesta este un produs electric — nu o jucărie! Pentru a evita riscul de incendiu, arsuri, vătămări corporale și șoc electric, nu trebuie să te joci cu acesta sau să îl amplasezi în locuri în care copiii mici pot ajunge la el.
- Nu utilizează acest produs pentru alte utilizări decât cele prevăzute.
- Nu agăța ornamente sau alte obiecte de cablu, sârmă sau sfoară ușoară.
- Nu acoperi produsul cu cârpă, hârtie sau orice material care nu face parte din produs atunci când este utilizat.
- Nu prinde produsul sau prelungitoarele la uși sau ferestre deoarece acest lucru poate deteriora izolația firului.
- Citește și urmează toate instrucțiunile de pe produs sau furnizate împreună cu produsul.
- PĂSTREAZĂ ACESTE INSTRUCȚIUNI.
- Nu conectai lanțul la sursă în timp ce este în ambalaj.
- În cazul în care lămpile se sparg sau se deteriorează, lanțul nu trebuie utilizat/alimentat, ci aruncat în condiții de siguranță.
- Lămpile sunt de unică folosință.
- AVERTISMENT – RISC DE ELECTROCUTARE DACĂ LĂMPILE SUNT SPARTE SAU LIPSESC. A NU SE FOLOSI.

Instrucțiuni de utilizare și îngrijire

- Când produsul este așezat pe un copac adevărat, acesta trebuie să fie bine întreținut și proaspăt. Nu îl așeza pe copaci adevărați, ale căror sunt mamonii sau se desprind ușor. Păstrează suportul pentru copacul adevărat plin cu apă. Wird das Produkt auf einem Baum angebracht, muss der Baum gut gesichert und stabil sein.
- Dacă produsul este așezat pe un copac, acesta trebuie să fie bine asigurat și stabil.
- Înainte de utilizare sau reutilizare, inspectează produsul cu atenție. Aruncă orice produse care au tăiat, deteriorat sau uzat izolația firului sau cablurile, fisuri în suporturile sau carcusele lămpii, conexiuni slăbite sau fire de cupru expuse.
- Dacă depozitezi produsul, îndepărtează cu grijă produsul de oriunde este amplasat, inclusiv copaci, ramuri sau tufșuri, pentru a evita orice presiune sau stres nejustificat(ă) asupra conductorilor, conexiunilor și firului produsului.
- Când nu este folosit, păstrează-l într-un loc răcoros și uscat, ferit de lumina soarelui

- Funcționarea este supusă următoarelor două condiții: (1) acest dispozitiv nu trebuie să provoace interferențe și (2) acest dispozitiv trebuie să accepte orice interferență, inclusiv interferențele care pot cauza funcționarea nedorită a dispozitivului.

AVERTISMENT - Pentru a reduce riscul de incendiu și electrocutare:

- Nu instala pe copaci cu ace, frunze sau acoperiri ale ramurilor din metal sau materiale care arată ca metalul.
- Nu monta sau sprijini firele într-un mod care poate tăia sau deteriora izolația firului.

Declinare a responsabilității Clasa A: Acest echipament a fost testat și s-a constatat că respectă limitele pentru un dispozitiv digital de Clasa A, în conformitate cu Partea 15 din Regulile FCC. Aceste limite sunt concepute pentru a oferi o protecție rezonabilă împotriva interferențelor dăunătoare într-o instalație rezidențială. Acest echipament generează, utilizează și poate radia energie de frecvență radio și, dacă nu este instalat și utilizat în conformitate cu instrucțiunile, poate provoca interferențe dăunătoare comunicațiilor radio. Cu toate acestea, nu există nicio garanție că interferențele nu vor apărea într-o anumită instalație. Dacă acest echipament cauzează interferențe dăunătoare receptorilor radio sau televiziunii, ceea ce poate fi determinat prin oprirea și pornirea echipamentului, utilizatorul este încurajat să încerce să corecteze interferența prin una sau mai multe dintre următoarele măsuri:

- Reorientează sau mută antena de recepție.
- Mărește distanța dintre echipament și receptor.
- Conectează echipamentul la o priză de pe un circuit diferit de cel la care este conectat receptorul.
- Consultă distribuitorul sau un tehnician radio/televiziune cu experiență pentru ajutor.

Compatibilitate Renunțare

Performanțele wireless depend de tehnologia wireless Bluetooth/WiFi a dispozitivului dvs.; consultați producătorul dispozitivului. Ledworks SRL nu va fi răspunzătoare pentru pierderile de date sau scurgerile de informații rezultate din utilizarea acestor dispozitive.

⚠ AVERTIZARE!

Nu conecta șirul de lumină la sursa de alimentare în timp ce este în ambalaj. Cablul de conectare nu poate fi reparat sau înlocuit. BECURI DE UNICĂ FOLOSINȚĂ. Nu conecta acest șir de lumină electric la dispozitive de la alt producător. ATENȚIE! Pericol de strangulare. A nu se lăsa la îndemâna copiilor mici.



Simbolul coșului de gunoi tăiat cu roți indică faptul că articolul trebuie aruncat separat de deșeurile menajere. Articolul trebuie predat pentru reciclare în conformitate cu reglementările locale de mediu pentru eliminarea deșeurilor..

Producătorul, Ledworks Srl, declară că acest dispozitiv respectă Directivile (LVD) 2014/35/UE, (RED) 2014/53/UE, (EMC) 2014/30/UE, (RoHS) 2011/65/UE, (REACH) 1907/2006. Textul integral al declarației de conformitate UE este disponibil la următoarea adresă de internet: www.twinkly.com/certifications

Cerințe de sistem

Cerința minimă de sistem pentru telefoanele mobile este iOS 11 și Android 5. Verificați în magazinul de aplicații cea mai recentă actualizare pentru a vă asigura cea mai bună performanță.

Specificații tehnice

Alimentare cu curent: vezi eticheta
Protecție IP: IP44

Diodă LED de calitate premium

Pentru a asigura o redare ridicată a culorilor, produsele Twinkly folosesc numai LED-uri de înaltă calitate.

Produsele Twinkly RGB și RGB+W sunt produse după principii și procese de calitate care ne permit să obținem un grad ridicat de puritate a culorilor primare.

Valorile minime de puritate de excitație ale componentelor Albastru, Verde și Roșu sunt prezentate în tabelul de mai jos.

Licențiere Bluetooth

Marca verbală și logo-urile Bluetooth® Bluetooth® sunt mărci înregistrate deținute de Bluetooth SIG, Inc. și orice utilizare a acestor mărci de către Ledworks SRL se face sub licență. Alte mărci comerciale și denumiri comerciale aparțin proprietarilor respectivi.

Funcționează cu RF pentru 802.11 b/g/n Wi-Fi / Bluetooth V4.2 BR/EDR/LE	Valori de puritate a culorii
Frecvență 2402/2480 Mhz	Albastru > 90%
Putere maximă de ieșire <100mW	Verde > 65%
	Roșu > 95%

* Valorile se aplică numai produselor RGB (STP) și RGBW (SPP), nu și produselor AWW (GOP)

ВГ Прочетеți и спазвайте всички инструкции за безопасност

1. ПРОЧЕТЕТИ И СПАЗВАЙТЕ ВСИЧКИ ИНСТРУКЦИИ ЗА БЕЗОПАСНОСТ.
2. Не монтирайте и не поставяйте в близост до газовой или електрически нагреватели, камини, свещи или други подобни източници на топлина.
3. Външният гъвкав кабел или шнур на това осветително тяло не може да се заменя; ако шнурът е повреден, осветителното тяло трябва да се унищожи. Светлинният източник на това осветително тяло не може да се заменя; когато светлинният източник достигне края на своя живот, цялото осветително тяло трябва да се замени.
4. Това изделие не е подходящо за осветяване на помещения и е предназначено само за декорация.
5. Не закрепвайте кабеляването на изделието с телчета или пирони, нито го поставяйте върху остри куки или пирони.
6. Не позволявайте на лампите да почиват върху захранващ кабел или върху кавкато и да се изжеля.
7. Изключвайте продукта от електрическата мрежа, когато напускате къщата или се прибирате за през нощта, или ако е оставен без надзор.
8. Това е електрически продукт - не е играчка! За да се избегне рискът от пожар, изгаряния, телесни наранявания и токов удар, не трябва да се играе с него или да се поставя на места, където малки деца могат да го достигнат.
9. Не използвайте този продукт за други цели, различни от предназначението му.
10. Не закачайте украшения или други предмети на кабела, жицата или светлинната нишка.
11. Не покривайте продукта с кърпа, хартия или друг материал, който не е част от продукта, когато се използва.
12. Не затваряйте врати или прозорци върху продукта или удължителите, тъй като това може да повреди изолацията на проводника.
13. Прочетеți и спазвайте всички инструкции, които са поставени на продукта или са предоставени с продукта.
14. ЗАПАЗЕТЕ ТЕЗИ ИНСТРУКЦИИ.
15. Не свързвайте веригата към захранването, докато е в опаковката.
16. При чуване или повреда на лампите веригата не трябва да се използва/захранва, а да се извърши безопасна.
17. Лампите не могат да се заменят.
18. ПРЕДУПРЕЖДЕНИЕ - РИСК ОТ ЕЛЕКТРИЧЕСКИ УДАР ПРИ СЧУПЕНИ ИЛИ ЛИПСВАЩИ ЛАМПИ. НЕ ИЗПОЛЗВАЙТЕ.

Инструкция за употреба и грижи

- a. Когато продуктът се поставя върху живо дърво, дървото трябва да е добре поддържано и свежо. Не поставяйте продукта върху живи дървета, чиито иглички са кафяви или се чупят лесно. Поддържайте държача за живото дърво пълен с вода.
- b. Ако продуктът се поставя върху дърво, дървото трябва да е добре закрепено и стабилно.
- c. Преди да използвате или използвате повторно, внимателно прегледайте продукта. Изхвърлете всички продукти, които имат нарязана, повредена или наксана изолация на проводниците или кабелите, пукнатини в държачите или корпусите на лампите, разхлабени връзки или открити медни проводници.
- d. Когато съхранявате продукта, внимателно го отстранете от мястото, където е поставен, включително дървета, клони или храсти, за да избегнете изпичане на товарване или напрежение върху проводниците, връзките и жиците на продукта.
- e. Когато не използвате продукта, го съхранявайте грижливо на хладно и сухо място, защитено от слънчева светлина.
- f. Експлоатацията е предмет на следните две условия: (1) това устройство не може да причинява смущения и (2) това устройство трябва да приема всякакви смущения, включително смущения, които могат да причинят нежелана работа на устройството.

ПРЕДУПРЕЖДЕНИЕ - За да намалите риска от пожар и токов удар:

- a. Не монтирайте върху дървета, които имат иглички, листа или клони, покрити с метал или материали, които приличат на метал.
- b. Не монтирайте и не поддържайте проводниците по начин, който може да пререже или повреди изолацията на проводника.

Отказ от отговорност за клас А: Това оборудване е тествано и е установено, че отговаря на ограниченията за цифрово устройство от клас А, съгласно част 15 от правилата на FCC. Тези ограничения са предназначени да осигурят разумна защита срещу вредни смущения при жилищна инсталация. Това оборудване генерира, използва и може да излъчва радиочестотна енергия и, ако не е инсталирано и използвано в съответствие с инструкциите, може да причини вредни смущения на радиокommunikациите. Въпреки това не съществува гаранция, че при конкретна инсталация няма да възникнат смущения. Ако това оборудване причинява вредни смущения в радио- или телевизионното приемане, което може да се установи чрез изключване и включване на оборудването, на потребителя се препоръчва да се опита да коригира смущенията чрез една или повече от следните мерки:

Преориентируйте или преместете приемната антена.

- Увеличете разстоянието между оборудването и приемника.
- Свържете оборудването в контакт на верига, различна от тази, към която е свързан приемникът.
- Консултирайте се с дилъра или с опитен радио/телевизионен техник за помощ.

⚠️ ПРЕДУПРЕЖДЕНИЕ!

Не свързвайте светлинния низ към захранването, докато е в опаковката. Свързващият кабел не може да бъде ремонтиран или заменен. ЛАМПИТЕ НЕ МОГАТ ДА СЕ ЗАМЕНЯТ. Светлинните вериги не са предназначени за взаимно свързване. Не свързвайте тази светлинна верига електрически с устройства от друг производител. ВНИМАНИЕ! Опасност от задушаване. Съхранявайте на място, недостъпно за малки деца.



Символът на зачеркнат контейнер с колелца показва, че изделието трябва да се изхвърля отделно от битовите отпадъци. Изделието трябва да се предаде за рециклиране в съответствие с местните екологични разпоредби за изхвърляне на отпадъци.

Производителят, Ledworks Srl, декларира, че това устройство съответства на директивите (LVD) 2014/35/EC, (RED) 2014/53/EC, (EMC) 2014/30/EC, (RoHS) 2011/65/EC, (REACH) 1907/2006. Пълният текст на ЕС декларацията за съответствие е достъпен на следния интернет адрес: www.twinkly.com/certifications

Изисквания към системата

Минималните системни изисквания за мобилни телефони са iOS 11 и Android 5 Проверете в магазина за приложения за най-новата актуализация, за да си осигурите най-добра производителност.

Технически спецификации

Захранване:
Захранване: вижте етикета
IP защита: IP44

Висококачествени LED диоди

За да се гарантира високото качество, в продуктите на Twinkly се използват само висококачествени светодиоди.

Продуктите RGB и RGB+W на Twinkly се произвеждат в съответствие с принципите и процесите за качество, които ни позволяват да постигнем висока степен на чистота на основния цвят. Минималните стойности на чистотата на възбуждане на синия, зеления и червения компонент са показани в таблицата по-долу.

Лицензиране на Bluetooth

Думата Bluetooth® и логата Bluetooth са регистрирани търговски марки, собственост на Bluetooth SIG, Inc., и всяко използване на тези марки от Ledworks SRL е по лиценз. Други търговски марки и търговски наименования са собственост на съответните им собственици.

Работни радиочестоти за 802.11 b/g/n Wi-Fi / Bluetooth V4.2 BR/EDR/LE	Стойности на чистотата на цветовите
Честота 2402/2480 Mhz	Синьо > 90%
Максимална моќност Моќност <100mW	Зелено > 65%
	Червено > 95%

* Стойностите се однесуваат само за производи RGB (STP) и RGBW (SPP), а не за производи

HR Pročitajte i slijedite sve sigurnosne upute.

1. Nemojte montirati ili postavljati u blizini plinskih ili električnih grijača, kamina, svijeća ili drugih sličnih izvora topline.
2. Vanjski fleksibilni kabel ili kabel ovog svjetiljke ne može se zamijeniti; Ako je kabel oštećen, svjetiljka će biti uništena. Izvor svjetlosti ovog svjetiljke nije zamjenjiv; kada izvor svjetlosti dosegne svoj kraj života, zamjenjuje se cijelo svjetlo.
3. Ovaj članak nije prikladan za osvjetljenje prostorije i namijenjen je samo za dekoraciju.
4. Ne učvršćujte ožičenje proizvoda spajalicama ili čavlima ili stavljajte na oštre kuke ili čavle.
5. Ne dopustite da svjetiljke počivaju na dovodnom kabeu ili na bilo kojoj žici.
6. Isključite proizvod prilikom izlaska iz kuće ili prilikom odlaska u mirovinu preko noći ili ako se ostavi bez nadzora.
7. Ovo je električni proizvod - a ne igračka! Kako bi se izbjegao rizik od požara, opeklina, tjelesnih ozljeda i strujnog udara, ne smije se igrati s njim ili ga smjestiti tamo gdje mala djeca mogu doći do njega.
8. Ne koristite ovaj proizvod za drugu uporabu osim za njegovu namjenu.
9. Nemojte vješati ukrase ili druge predmete s kabela, žice ili svjetlosne žice.
10. Ne prekrivajte proizvod krpom, papиром ili bilo kojim materijalom koji nije dio proizvoda kada se koristi.
11. Ne zatvarajte vrata ili prozore na proizvodu ili produžnim kablama jer to može oštetiti izolaciju žice.
12. Pročitajte i slijedite sve upute koje se nalaze na proizvodu ili su isporučene s proizvodom.
13. SPREMITE OVE UPUTE.
14. Ne spajajte lanac na opskrbu dok je u pakiranju.
15. Ako dođe do loma ili oštećenja svjetala, lanac se ne smije koristiti/pod naponom, već ga sigurno odlagati.
16. Svjetiljke nisu zamjenjive.
17. UPOZORENJE - OPASNOST OD STRUJNOG UDARA AKO SU SVJETILJKE SLOMLJENE ILI NEDOSTAJU. NEMOJTE KORISTITI.

Upute za uporabu i njegu

- a. Kada se proizvod stavi na živo drvo, stablo treba dobro održavati i svježe. Ne stavljajte na živa stabla u kojima su iglice smeđe ili se lako odlomite. Držite živo držač stabla napunjen vodom.
- b. Ako se proizvod stavi na drvo, stablo treba biti dobro osigurano i stabilno.
- c. Prije uporabe ili ponovne uporabe pažljivo pregledajte proizvod. Odbacite sve proizvode koji imaju izrezanu, oštećenu ili izluzanu izolaciju žice ili kabele, pukotine u držačima ili kućištima svjetiljke, labave spojeve ili izloženu bakrenu žicu.
- d. Prilikom skladištenja proizvoda pažljivo uklonite proizvod s mjesta na kojem se nalazi, uključujući drveće, grane ili girmje, kako biste izbjegli nepotrebno naprezanje ili stres na vodičima proizvoda, spojevima i žicama.
- e. Kada se ne koristi, uredno čuvajte na hladnom i suhom mjestu zaštićenom od sunčeve svjetlosti.
- f. Rad je podložan sljedećim dvama uvjetima: (1) ovaj uređaj ne smije uzrokovati smetnje i (2) ovaj uređaj mora prihvatiti sve smetnje, uključujući smetnje koje mogu uzrokovati neželjeni

UPOZORENJE - Kako bi se smanjio rizik od požara i strujnog udara:

- a. Ne postavljajte na drveće koje ima igle, lišće ili granske obloge od metala ili materijala koji izgledaju kao metal.
- b. Nemojte montirati ili podržavati žice na način koji može rezati ili oštetiti izolaciju žice.

Odricanje od odgovornosti klase A: Ova je oprema testirana i utvrđeno je da je u skladu s ograničenjima za digitalni uređaj klase A, u skladu s dijelom 15 FCC pravila. Ta su ograničenja osmišljena kako bi pružila razumnu zaštitu od štetnih smetnji u stambenoj instalaciji. Ova oprema

generira štetni signal i može zračiti radiofrekvencijsku energiju i, ako nije instalirana i korištena u skladu s uputama, može uzrokovati štetne smetnje u radio komunikacijama. Međutim, ne postoji jamstvo da se smetnje neće pojaviti u određenoj instalaciji. Ako ova oprema uzrokuje štetne smetnje radijskom ili televizijskom prijemni, što se može utvrditi isključivanjem i uključivanjem opreme, korisnik se potiče da pokuša ispraviti smetnje jednom ili više sljedećih mjera:

Preumjerite ili premjestite prijemnu antenu.

- Povećajte udaljenost između opreme i prijemnika.
- Spojite opremu u utičnicu na krugu različitom od onog na koji je spojen prijemnik.
- Za pomoć se obratite trgovcu iliiskusnom radijskom/televizijskom tehničaru.

⚠ UPOZORENJE!

Ne spajajte svjetlosni niz na napajanje dok je u pakiranju. Spojni kabel ne može se popraviti ili zamijeniti. SVJETILJKE NISU ZAMJENJIVE. Lanci rasvijete ne namjeravaju interkomuniciju. Ne spajajte ovaj svjetlosni niz električno na uređaje drugog proizvođača. OPREZI! Opasnost od davljenja. Držite se izvan dohvata male djece.



Simbol na udarenom spremniku na kotačima označava da predmet treba odlagati odvojeno od kućnog otpada. Proizvod se mora predati na recikliranje u skladu s lokalnim propisima o zaštiti okoliša za zbrinjavanje otpada.

Proizvođač Ledworks Srl izjavljuje da je ovaj uređaj u skladu s direktivama (LVD) 2014/35/EU, (RED) 2014/53/EU, (EMC) 2014/30/EU, (RoHS) 2011/65/EU, (REACH) 1907/2006. Cjeloviti tekst izjave EU-a o sukladnosti dostupan je na: www.twinkly.com/certifications

Sistemski preduvjeti

Minimalni zahtjev sustava za mobilne telefone su iOS 11 i Android 5. Provjerite u trgovini aplikacija najnovije ažuriranje kako biste osigurali najbolje performanse.

Tehničke specifikacije

Napajanje: pogledajte oznaku IP zaštita: IP44

LED diode vrhunskog razreda

Kako bi se osiguralo visoko renderiranje boja, Twinkly proizvodi koriste samo visokokvalitetne LED diode. Twinklyjevi RGB i RGB+W proizvodi proizvode se prema principima kvalitete i procesima koji nam omogućuju postizanje visokog stupnja primarne čistoće boja. Minimalne vrijednosti čistoće pobude plave, zelene i crvene komponente prikazane su unutar donje tablice.

Bluetooth licenciranje

Oznaka riječi Bluetooth i® logotipi registrirani su zaštitni znakovi u vlasništvu Bluetooth SIG-a, Inc., a svako korištenje takvih oznaka od strane Ledworks SRL-a je pod licencom. Ostali trgovački i trgovački nazivi su oni njihovih vlasnika.

Operativni RF za 802.11 b/g/n Wi-Fi / Bluetooth V4.2 BR/EDR/LE	Vrijednosti čistoće boja
Frekvencija 2402/2480 Mhz	Plava > 90%
Maksimalan izlaz Snaga <100mW	Zelena > 65%
	Crveni > 95%

* Ove vrijednosti vrijede samo za RGB (STP) i RGBW (SPP) proizvode. Ne primjenjuju se na AWW (GOP) proizvode.

GR Διαβάστε και ακολουθήστε όλες τις οδηγίες ασφαλείας.

1. ΔΙΑΒΑΣΤΕ ΚΑΙ ΑΚΟΛΟΥΘΗΣΤΕ ΟΛΕΣ ΤΙΣ ΟΔΗΓΙΕΣ ΑΣΦΑΛΕΙΑΣ.
2. Μην τοποθετείτε ή τοποθετήσετε κοντά σε θερμάστρες, αερίου ή ηλεκτρικές θερμάστρες, τζάκια, κεριά ή άλλες παρόμοιες πηγές θερμότητας.
3. Το εξωτερικό εύκαμπτο καλώδιο ή καλώδιο αυτού του φωτιστικού δεν μπορεί να αντικατασταθεί - αν το καλώδιο υποστεί ζημιά, το φωτιστικό πρέπει να καταστραφεί. Η φωτεινή πηγή αυτού του φωτιστικού δεν μπορεί να αντικατασταθεί - όταν η φωτεινή πηγή

- φτάσει στο τέλος της ζωής της, πρέπει να αντικατασταθεί ολόκληρο το φωτιστικό.
- Αυτό το είδος δεν είναι κατάλληλο για φωτισμό δωματίου και προορίζεται μόνο για διακοσμητικούς σκοπούς.
 - Μην στερεώνετε την καλωδίωση του προϊόντος με συρραπτικά ή καρφιά και μην την τοποθετείτε σε αχμηρά άγκιστρα ή καριδιά.
 - Μην αφιρνετε τους λαμπτήρες να ακουμπάν στο καλώδιο τροφοδοσίας ή σε οποιοδήποτε καλώδιο.
 - Αποσυνδέστε το προϊόν από την πρίζα όταν φεύγετε από το σπίτι ή όταν αποσυρατε για τη νύχτα ή αν το αφιρνετε χωρίς επιβλεψη.
 - Αυτό είναι ένα ηλεκτρικό προϊόν - όχι ένα παιχνίδι! Για να αποφευχθεί ο κίνδυνος πυρκαγιάς, εγκαυμάτων, τραυματισμών και ηλεκτροπληξίας, δεν πρέπει να παίζετε με αυτό και να το τοποθετείτε σε ομημία όπου μπορούν να το φτάσουν μικρά παιδιά.
 - Μην χρησιμοποιείτε αυτό το προϊόν για άλλη χρήση από την προβλεπόμενη.
 - Μην κρεμάτε στοιχεία ή άλλα αντικείμενα από το καλώδιο, το σύρμα ή το φωτιστικό κορδόνι.
 - Μην καλύπτετε το προϊόν με ύφασμα, χαρτί ή οποιοδήποτε υλικό που δεν αποτελεί μέρος του προϊόντος όταν αυτό χρησιμοποιείται.
 - Μην κλείνετε τις πόρτες ή τα παράθυρα πάνω στο προϊόν ή στα καλώδια προέκτασης, καθώς αυτό μπορεί να προκαλέσει ζημιά στη μόνωση του καλωδίου.
 - Διαβάστε και ακολουθήστε όλες τις οδηγίες που υπάρχουν στο προϊόν ή παρέχονται με το προϊόν.
 - ΦΥΛΑΞΤΕ ΑΥΤΕΣ ΤΙΣ ΟΔΗΓΙΕΣ.
 - Μην συνδέετε την αλυσίδα στην παροχή όσο βρίσκεται στη συσκευασία.
 - Σε περίπτωση θραύσης ή βλάβης των λαμπτήρων η αλυσίδα δεν πρέπει να χρησιμοποιείται/ενεργοποιείται αλλά να απορρίπτεται με ασφάλεια.
 - Οι λαμπτήρες δεν μπορούν να αντικατασταθούν.
 - ΠΡΟΕΙΔΟΠΟΙΗΣΗ - ΚΙΝΔΥΝΟΣ ΗΛΕΚΤΡΟΠΛΗΞΙΑΣ ΕΑΝ ΟΙ ΛΑΜΠΗΤΗΡΕΣ ΕΙΝΑΙ ΣΠΑΣΜΕΝΟΙ Η ΛΕΠΙΟΥΝ. ΜΗ ΧΡΗΣΙΜΟΠΟΙΗΣΤΕ.

Οδηγίες χρήσης και φροντίδας

- Όταν το προϊόν τοποθετείται σε ζωντανό δέντρο, το δέντρο πρέπει να είναι καλά συντηρημένο και φρέσκο. Μην τοποθετείτε σε ζωντανά δέντρα στα οποία οι βελόνες είναι καφ ή σπάνε εύκολα. Διατηρείτε τη θήκη του ζωντανού δέντρου γεμάτη με νερό.
- Όταν το προϊόν τοποθετείται σε δέντρο, το δέντρο πρέπει να είναι καλά ασφαλισμένο και σταθερό.
- Πριν από τη χρήση ή την επαναχρησιμοποίηση, επιθεωρήστε προσεκτικά το προϊόν. Απορρίψτε τυχόν προϊόντα που έχουν κομμένη, κατεστραμμένη ή φθαρμένη μόνωση καλωδίων ή καλωδίων, ρωγμές στις υποδοχές ή τα περιβλήματα των λαμπτήρων, χαλαρές συνδέσεις ή εκτεθειμένο γάλκνιο καλώδιο.
- Κατά την αποθήκευση του προϊόντος, απομακρύνετε προσεκτικά το προϊόν από όπου κι αν έχει τοποθετηθεί, συμπεριλαμβανομένων δέντρων, κλαδιών ή θάμνων, για να αποφύγετε οποιαδήποτε αδικαιολόγητη καταπόνηση ή πίεση στους αγωγούς, τις συνδέσεις και τα καλώδια του προϊόντος.
- Όταν δεν χρησιμοποιείτε το προϊόν, αποθηκεύστε το τακτοποιημένο σε δροσερό και ξηρό μέρος, προστατευμένο από το ηλιακό φως.
- Η λειτουργία υπόκειται στις ακόλουθες δύο προϋποθέσεις: (1) η παρούσα συσκευή δεν επιτρέπεται να προκαλεί παρεμβολές και (2) η παρούσα συσκευή πρέπει να δέχεται οποιοδήποτε παρεμβολές, συμπεριλαμβανομένων των παρεμβολών που ενδέχεται να προκαλέσουν ανεπιθύμητη λειτουργία της συσκευής.

ΠΡΟΕΙΔΟΠΟΙΗΣΗ - Για να μειώσετε τον κίνδυνο πυρκαγιάς και ηλεκτροπληξίας:

- Μην εγκαταστήσετε το σύστημα σε δέντρα που έχουν βελόνες, φύλλα ή καλύμματα κλαδιών από μέταλλο ή υλικά που μοιάζουν με μέταλλο.
- Μην τοποθετείτε ή αγγίζετε τα καλώδια με τρόπο που μπορεί να κόψει ή να καταστρέψει τη μόνωση του καλωδίου.

Αποποίηση ευθύνης κατηγορίας Α: Ο εξοπλισμός αυτός έχει ελεγχθεί και έχει βρεθεί ότι συμμορφώνεται με τα όρια για ηλεκτρικές ασυεκές κατηγορίας Α, σύμφωνα με το μέρος 15 των κανόνων FCC. Αυτά τα όρια έχουν σχεδιαστεί για να παρέχουν εύλογη προστασία από επιβλαβείς παρεμβολές σε οικιακή εγκατάσταση. Αυτός ο εξοπλισμός παράγει, χρησιμοποιεί και μπορεί να εκπέμψει ενέργεια ραδιοσυνοτήτων και, εάν δεν εγκατασταθεί και χρησιμοποιηθεί σύμφωνα με τις

οδηγίες, μπορεί να προκαλέσει επιβλαβείς παρεμβολές στις ραδιοεπικοινωνίες. Ωστόσο, δεν υπάρχει καμία εγγύηση ότι δεν θα εμφανιστούν παρεμβολές σε μια συγκεκριμένη εγκατάσταση. Εάν αυτός ο εξοπλισμός προκαλεί επιβλαβείς παρεμβολές στη ραδιοφωνική ή τηλεοπτική λήψη, οι οποίες μπορούν να προσδιοριστούν με την απενεργοποίηση και ενεργοποίηση του εξοπλισμού, ο χρήστης ενθαρρύνεται να προσπαθήσει να διορθώσει τις παρεμβολές με ένα ή συνδυασμό των ακόλουθων μέτρων Επαιναποθετήστε ή μετακινήστε την κεραία λήψης,

- Αυξήστε την απόσταση μεταξύ του εξοπλισμού και του δέκτη,
- Συνδέστε τον εξοπλισμό σε πρίζα σε κλιμακωτά διαφορετικό από αυτό στο οποίο είναι συνδεδεμένος ο δέκτης,
- Ζητήστε τη βοήθεια του αντιπροσώπου σας ή ενός έμπειρου τεχνικού ραδιοφώνου/τηλεόρασης.

Αποποίηση ευθύνης συμβατότητας

Η ασύρματη απόδοση εξαρτάται από την ασύρματη τεχνολογία Bluetooth/WiFi της συσκευής σας, ανατρέξτε στον κατασκευαστή της συσκευής σας. Η Ledworks SRL δεν φέρει καμία ευθύνη για τυχόν απώλεια δεδομένων ή διαρροές που προκύπτουν από τη χρήση αυτών των συσκευών. Συμμορφώνεστε τον αντιπροσώπου ή έναν έμπειρο τεχνικό ραδιοφώνου/τηλεόρασης για βοήθεια.

⚠️ ΠΡΟΕΙΔΟΠΟΙΗΣΗ!

Μην συνδέετε τη σειρά φωτός στην παροχή ρεύματος όσο βρίσκεται στη συσκευασία. Το καλώδιο σύνδεσης δεν μπορεί να επισκευαστεί ή να αντικατασταθεί. ΟΙ ΛΑΜΠΗΤΗΡΕΣ ΔΕΝ ΜΠΟΡΟΥΝ ΝΑ ΑΝΤΙΚΑΤΑΣΤΑΘΟΥΝ. Οι φωτιστικές αλυσίδες δεν προορίζονται για διασύνδεση. Μην συνδέετε αυτή τη φωτιστική ηλεκτρικά με συσκευές άλλου κατασκευαστή. ΠΡΟΣΟΧΗ! Κίνδυνος τραυματισμού. Φυλάξτε την μακριά από μικρά παιδιά.



Το σύμβολο του διαγραμμένου τροχήλατου κάδου υποδεικνύει ότι το αντικείμενο πρέπει να απορρίπτεται χωριστά από τα οικιακά απορρίμματα. Το αντικείμενο θα πρέπει να παραδίδεται για ανακύκλωση σύμφωνα με τους τοπικούς περιβαλλοντικούς κανονισμούς για τη διάθεση των αποβλήτων.

Ο κατασκευαστής, Ledworks Srl, δηλώνει ότι η παρούσα συσκευή συμμορφώνεται με τις οδηγίες (LVD) 2014/35/EE, (RED) 2014/53/EE, (EMC) 2014/30/EE, (RoHS) 2011/65/EE, (REACH) 1907/2006. Το πλήρες κείμενο της δήλωσης συμμόρφωσης ΕΕ είναι διαθέσιμο στην ακόλουθη διεύθυνση στο διαδίκτυο: www.twinkly.com/certifications

Απαιτήσεις συστήματος

Οι ελάχιστες απαιτήσεις συστήματος για κινητά τηλέφωνα είναι iOS 11 και Android 5. Ελέγξτε το κατάστημα εφαρμογών για την τελευταία ενημέρωση ή εεαφαιλίστε την καλύτερη δυνατή απόδοση.

Τεχνικές προδιαγραφές Παροχή ρεύματος:

Παροχή ρεύματος: βλάβε ετικέτα Προστασία IP: IP44

Δίοδοι LED υψηλής ποιότητας

Για να εξασφαλίσει υψηλή χρωματική απόδοση, τα προϊόντα Twinkly χρησιμοποιούν μόνο LED υψηλής ποιότητας.

Τα προϊόντα RGB και RGB+W της Twinkly παράγονται σύμφωνα με αρχές και διαδικασίες ποιότητας που μας επιτρέπουν να επιτύχουμε υψηλό βαθμό πρωτογενούς χρωματικής καθαρότητας. Οι ελάχιστες τιμές καθαρότητας διέγερσης του μπλε, του πράσινου και του κόκκινου στοιχείου εμφανίζονται στον παρακάτω πίνακα.

Αδειοδότηση Bluetooth

Το λεκτικό σήμα Bluetooth Bluetooth® και τα λογότυπα είναι κατατεθειμένα εμπορικά σήματα που ανήκουν στην Bluetooth SIG, Inc. και οποιαδήποτε χρήση αυτών των σημάτων από την Ledworks SRL γίνεται με άδεια χρήσης. Άλλα εμπορικά σήματα και εμπορικές ονομασίες είναι των αντίστοιχων κατόχων τους.

Λειτουργία RF για 802.11 b/g/n Wi-Fi / Bluetooth V4.2 BR/EDR/LE
Συχνότητα 2402/2480 Mhz
Μέγιστη παραγωγή Ισχύος <100mW

Τιμές καθαρότητας χρώματος
Μπλε > 90%
Πράσινο > 65%
Κόκκινο > 95%

* Οι τιμές ισχύουν μόνο για τα προϊόντα RGB (STP) και RGBW (SPP), όχι για τα προϊόντα AWW (GOP).

TR Tüm güvenlik talimatlarını okuyun ve uygulayın.

1. TÜM GÜVENLİK TALİMATLARINI OKUYUN VE UYGULAYIN.
2. Gazlı veya elektrikli ısıtıcıların, şöminelerin, mumların veya diğer benzer ısı kaynaklarının yakınına monte etmeyin veya yerleştirmeyin.
3. Bu armatürün harici esnek kablo su veya kordonu değiştirilemez; kordon hasar görürse armatür imha edilmelidir. Bu armatürün ışık kaynağı değiştirilemez; ışık kaynağı ömrünü tamamladığında tüm armatür değiştirilmelidir.
4. Bu ürün oda aydınlatması için uygun değildir ve sadece dekorasyon amaçlıdır.
5. Ürünün kablolarını zimba veya çivi ile sabitlemeyin veya keskin kancalar veya çiviler üzerine yerleştirmeyin.
6. Lambaların besleme kablosu veya herhangi bir tel üzerinde durmasına izin vermemeyin.
7. Eviden çıkarken veya gece yataırken ya da gözetimsiz bırakıldığında ürünü fişini çekin.
8. Bu elektrikli bir üründür - öyuncak değil! Yangın, yanık, kişisel yaralanma ve elektrik çarpması riskinden kaçınmak için küçük çocukların ulaşabileceği yerlere yerleştirilmemelidir veya oynanmamalıdır.
9. Bu ürünün kullanım amacı dışında kullanmayın.
10. Kordondan, telden veya ışık ipinden süs eşyaları veya başka nesnelere asmayın.
11. Kullanım sırasında ürünü bez, kağıt veya ürünün parçası olmayan herhangi bir malzeme ile örtmeyin.
12. Kablo yalıtımına zarar verebileceğinden, ürünün veya uzatma kablolarının üzerindeki kapıları veya pencereleri kapatmayın.
13. Ürünün üzerinde bulunan veya ürüne birlikte verilen tüm talimatları okuyun ve bunlara uyun.
14. BU TALİMATLARI SAKLAYIN.
15. Zinciri ambalaj içindeyken beslemeye bağlamayın.
16. Lambaların kırılması veya hasar görmesi durumunda zincir kullanılmamalı/enerjilenmemeli, güvenli bir şekilde atılmalıdır.
17. Lambalar değiştirilemez.
18. UYARI - LAMBALAR KIRIK VEYA EKŞİK İSE ELEKTRİK ÇARPMASI RİSKİ. KULLANMAYIN.

Kullanım ve bakım talimatları

- a. Ürün canlı bir ağaçta yerleştirildiğinde, ağaç bakımlı ve taze olmalıdır. İğneleri kahverengi olan veya kolayca kırılan canlı ağaçlara yerleştirmeyin. Canlı ağaç tutucusunu su ile dolu tutun.
- b. Ürün bir ağacın üzerine yerleştirilirse, ağaç iyi sabitlenmiş ve sağlam olmalıdır.
- c. Kullanmadan veya yeniden kullanmadan önce ürünü dikkatlice inceleyin. Kesilmiş, hasar görmüş veya yıpranmış tel yalıtımı veya kabloları, lamba tutucularında veya muhafazalarında çatlaklar, gevşek bağlantılar veya aşıta bakır tel bulunan ürünleri atın.
- d. Ürünü depolarken, ürün iletkenleri, bağlantıları ve telleri üzerinde aşırı gerilme veya baskı oluşmasını önlemek için ürünü ağaçlar, dallar veya çalılar dahil olmak üzere yerleştirdiği her yerden dikkatlice çıkarın.
- e. Kullanılmadığında, güneş ışığından korunan serin ve kuru bir yerde düzgen bir şekilde saklayın.
- f. Çalıştırma aşağıdaki iki koşula tabidir: (1) bu cihaz girişime neden olamaz ve (2) bu cihaz, cihazın istenmeyen şekilde çalışmasına neden olabilecek girişimler de dahil olmak üzere her türlü girişimi kabul etmelidir.

UYARI - Yangın ve elektrik çarpması riskini azaltmak için:

- a. İğneleri, yaprakları veya dalları metal veya metale benzeyen malzemelerle kaplanmış ağaçlara kurulum yapmayın.
- b. Kabloları, kablo yalıtımını kesebilecek veya zarar verebilecek şekilde monte etmeyin veya desteklemeyin.

A Sınıfı Sorumluluk Reddi: Bu ekipman test edilmiş ve FCC Kuralları Bölüm 15 uyarınca A Sınıfı dijital cihaz sınırlarına uygun olduğu tespit edilmiştir. Bu sınırlar, bir konut kurulumunda zararlı parazitlere karşı makul koruma sağlamak üzere tasarlanmıştır. Bu ekipman radyo frekans enerjisi üretir, kullanır ve yayabilir ve talimatlara uygun olarak kurulmaz ve kullanılmazsa, radyo iletişimine zararlı parazitlere neden olabilir. Ancak, belirli bir kurulumda parazit oluşmayacağına garanti yoktur. Eğer bu ekipman radyo veya televizyon yayınlarında zararlı parazitlere neden oluyorsa (ki bu durum ekipmanın kapatılıp açılmasıyla tespit edilebilir), kullanıcıyı aşağıdaki önlemlerden birini veya birkaçını alarak paraziti gidermeye çalışması tavsiye edilir:

- Alıcı antenin yönünü veya yerini değiştirin.
- Ekipman ve alıcı arasındaki mesafeyi artırın.

- Ekipmanı, alıcının bağlı olduğu devreden farklı bir devre üzerindeki bir prize bağlayın.
- Yardım için satıcıya veya deneyimli bir radyo/televizyon teknisyenine danışın.

Uyumluluk Feratnamesi

Kablosuz performans cihazınızın Bluetooth/WiFi kablosuz teknolojisine bağlıdır, lütfen cihazınızın üreticisine başvurun. Ledworks SRL, bu cihazların kullanımından kaynaklanan herhangi bir veri kaybı veya sızıntısından sorumlu olmayacaktır. Yardım için bayıya veya deneyimli bir radyo/televizyon teknisyenine danışın.



UYARI!

Işık dizisini ambalaj içindeyken güç kaynağına bağlamayın. Bağlantı kablosu onarılamaz veya değiştirilemez. LAMBALAR DEĞİŞTİRİLEMEZ. Aydınlatma zincirleri ara bağlantı için tasarlanmamıştır. Bu ışık dizisini başka bir üreticinin cihazlarına elektriksiz olarak bağlamayın. DİKKAT! Boğulma tehlikesi. Küçük çocukların ulaşamayacağı yerlerde saklayın.



Çarpi işaretli tekerlekli çöp kutusu sembolü, ürünün evsel atıklardan ayrı olarak atılması gerektiğini gösterir. Ürün, atık bertarafı için yerel çevre düzenlemelerine uygun olarak geri dönüşüm için teslim edilmelidir.

Üretici Ledworks Srl, bu cihazın (LVD) 2014/35/EU, (RED) 2014/53/EU, (EMC) 2014/30/EU, (RoHS) 2011/65/EU, (REACH) 1907/2006 direktiflerine uygun olduğunu beyan eder. AB uygunluk beyanının tam metnine aşağıdaki internet adresinden ulaşılabilir: www.twinkly.com/certifications

Sistem Gereksinimi

Cep telefonları için minimum sistem gereksinimi iOS 11 ve Android 5'tir. En iyi performansı sağlamak için en son güncelleme için uygulama mağazasını kontrol edin.

Teknik Özellikler

Güç kaynağı: etikete bakın
IP koruması: IP44

Birinci sınıf LED diyotlar

Yüksek renk selamı geriverim sağlamak için Twinkly ürünleri yalnızca yüksek kaliteli LED'ler kullanır. Ürününün RGB ve RGB+W ürünleri, 1907/2006 direktifinin birincil renk saflığı elde etmemizi sağlayacak kalite ilkelerine ve süreçlerine göre üretilmektedir. Mavi, Yeşil ve Kırmızı bileşenlerin minimum uyarma saflık değerleri aşağıdaki tabloda gösterilmiştir.

Bluetooth Lisanslama

Bluetooth Bluetooth® kelime işareti ve logoları Bluetooth SIG, Inc. şirketine ait tescilli ticari markalardır ve bu markaların Ledworks SRL tarafından her türlü kullanım lisans kapsamındadır. Diğer ticari markalar ve ticari adlar ilgili sahiplerine aittir.

802.11 b/g/n Wi-Fi / Bluetooth V4.2 BR/EDR/LE için Çalışma RF'si	Renk Saflığı değerleri
Frekans 2402/2480 Mhz	Mavi > %90
Maksimum çıkış Güç <100mW	Yeşil > %65
	Kırmızı > %95

* değerler yalnızca RGB (STP) ve RGBW (SPP) ürünleri için geçerlidir, AWW (GOP) ürünleri için geçerli değildir.

PL Prosimy zapoznać się z treścią i przestrzegać wszystkich zasad bezpieczeństwa.

1. PROSIMY ZAPOZNAĆ SIĘ Z TREŚCIĄ I PRZESTRZEGAĆ WSZYSTKICH ZASAD BEZPIECZEŃSTWA.
2. Nie używać produktów sezonowych na zewnątrz, chyba że są oznaczone jako odpowiednie do takich zastosowań; należy je wtedy podłączyć do gniazda GFCI (przenywców obwodu zwar-

- ciowego), jeśli nie zostało ono dostarczone z produktem, prosimy o kontakt z wykwalifikowanym elektrykiem celem prawidłowej instalacji.
- Niniejszy produkt do użytku sezonowego nie jest przeznaczony do stałych instalacji lub użytkowania.
 - Nie należy montować ani umieszczać produktu w pobliżu grzejników gazowych/elektrycznych, kominków, świec lub innych podobnych źródeł ciepła.
 - Nie mocować okablowania produktu za pomocą zszywek lub gwoździ, ani nie umieszczać go na ostrych haczykach lub gwoździach.
 - Lampy nie mogą spoczywać na przewodzie zasilającym lub jakimkolwiek innym.
 - Przed wyjściem z domu, pojsięciem spać lub w przypadku pozostawienia produktu bez opieki, należy go odłączyć.
 - Ten produkt nie jest zabawką! Aby uniknąć ryzyka pożaru, oparzeń/obrażeń ciała i porażenia prądem, nie należy się nim bawić ani umieszczać w miejscu dostępnym dla małych dzieci.
 - Nie należy używać tego produktu niezgodnie z jego przeznaczeniem.
 - Nie należy wieszac na nim ozdób ani innych przedmiotów na (lekkim) sznurku lub drucie.
 - Podczas użytkowania nie przykrywać produktu szmatką, papierem ani żadnym innym materiałem nie będącym jego częścią.
 - Nie przytrząskiwaj samego produktu ani jego okablowania drzwiami ani oknami, ponieważ może to uszkodzić izolację przewodu.
 - Zaleca się przeczytać i postępować zgodnie ze wszystkimi instrukcjami znajdującymi się na produkcie lub dostarczonymi wraz z produktem.
 - INSTRUKCJE NALEŻY ZACHOWAĆ.
 - Nie podłączaj do zasilania produktu będącego w opakowaniu.
 - W przypadku pęknięcia lub uszkodzenia lamp łańcuch nie może być używany/podłączony do napięcia. Należy go natymczasie bezpiecznie zutilizować.
 - Lampy nie podlegają wymianie.
 - OSTRZEŻENIE - W PRZYPADKU USZKODZENIA LUB BRAKU LAMP ISTNIEJE RYZYKO PORAŻENIA PRĄDEM. NIE UŻYWAĆ.**

Instrukcja użytkowania i pielęgnacji

- Gdy produkt jest umieszczony na żywym drzewie, drzewo to powinno być dobrze utrzymane i świeże. Nie należy umieszczać produktu na drzewach, których igły są brązowe lub łamliwe. Donica powinna być zawsze pełna wody.
- Jeśli produkt zostanie umieszczony na drzewie, powinno ono być dobrze zabezpieczone i stabilne.
- Przed (ponownym) użyciem należy dokładnie sprawdzić produkt. Wszystkie elementy, które mają przeciętą, uszkodzoną lub przetartą izolację przewodów, pęknięcia w oprawkach lub obudowach lamp, luźne połączenia lub odsłonięte przewody miedziane należy wyrzucić.
- Podczas demontażu produktu przed przechowywaniem należy go ostrożnie usunąć z miejsca, w którym został umieszczony, w tym z drzew, gałęzi lub krzewów, aby uniknąć nadmiernych napięć połączeń i przewodów.
- Gdy produkt nie jest używany, musi być przechowywany w chłodnym, suchym miejscu, z dala od światła słonecznego.
- Działanie urządzenia podlega następującym dwóm warunkom: (1) urządzenie nie może powodować zakłóceń oraz (2) urządzenie musi akceptować wszelkie zakłócenia, w tym zakłócenia, które mogą powodować niepożądane działanie urządzenia.

OSTRZEŻENIE - Aby zmniejszyć ryzyko pożaru i porażenia prądem należy:

- Unikać instalowania produktu na drzewach z igłami, liśćmi lub gałęziami pokrytymi metalem lub materiałami wyglądającymi jak metal.
- Unikać montażu i podpierniania przewodów w sposób, który może spowodować ich przecięcie lub uszkodzenie izolacji.

Zastrzeżenie dotyczące klasy A: Niniejsze urządzenie zostało przetestowane i uznane za zgodne z ograniczeniami dla urządzeń cyfrowych klasy A, zgodnie z sekcją nr 15 przepisów FCC. Limity te mają na celu zapewnienie rozsądnej ochrony przed szkodliwymi zakłóceniami w instalacji mieszkaniowej. To urządzenie generuje, wykorzystuje i może emitować energię o częstotliwości radiowej i, jeśli nie zostanie zainstalowane ani nie będzie używane zgodnie z instrukcjami bezpieczeństwa, może powodować szkodliwe zakłócenia w komunikacji radiowej. Nie ma jednak gwarancji, że stosowanie się do przepisów kompletnie eliminuje zakłócenia w

konkretnej instalacji. Jeśli to urządzenie powoduje powyższe problemy w odbiorze radiowym lub telewizyjnym, co można określić wyłączając i włączając urządzenie, zaleca się usunięcie zakłóceń za pomocą co najmniej jednego z następujących środków:

- Zmiana orientacji lub położenia anteny odbiorczej.
- Zwiększenie odległości między urządzeniem a odbiornikiem.
- Podłączenie urządzenia do gniazda w innym obwodzie niż ten, do którego podłączony jest odbiornik.
- Konsultacja ze sprzedawcą lub doświadczonym technikiem radiowo-telewizyjnym w celu uzyskania pomocy.

Zastrzeżenie dotyczące zgodności

Wydajność bezprzewodowa jest zależna od technologii bezprzewodowej Bluetooth/WiFi urządzenia, proszę zapoznać się z producentem urządzenia. Ledworks SRL nie ponosi odpowiedzialności za utratę danych lub wycieki wynikające z użytkowania tych urządzeń

OSTRZEŻENIE!

Nie podłączaj łańcucha świetlnego do zasilacza, gdy znajduje się on w opakowaniu. Kabel połączeniowy nie może być naprawiany ani wymieniany. ZARÓWKI NIE SĄ WYMIENNE. Nie podłączaj produktu do urządzeń innego producenta. UWAGA! Istnieje ryzyko uduszenia się. Przechowywać w miejscu niedostępnym dla małych dzieci.



Symbol przekreślonego kosza na śmieci oznacza, że przedmiot nie powinien być wyrzucony razem z odpadami domowymi; należy go oddać do recyklingu zgodnie z lokalnymi przepisami ochrony środowiska dotyczącymi utylizacji tego typu odpadów.

Producent Ledworks Srl oświadcza, że niniejsze urządzenie jest zgodne z założeniami dyrektyw (LVD) 2014/35/EU, (RED) 2014/53/EU, (EMC) 2014/30/EU, (RoHS) 2011/65/EU, (REACH) 1907/2006. Pełny tekst deklaracji zgodności UE jest dostępny pod adresem internetowym: www.twinkly.com/certifications

Wymagania systemowe

Minimalne wymagania systemowe dla telefonów komórkowych to system IOS 11 lub Android 5. Aby zapewnić najlepszą wydajność użytkowania, zaleca się sprawdzenie najnowszych aktualizacji w sklepie z aplikacjami.

Diody LED klasy premium

Korzystamy wyłącznie z wysokiej jakości diody LED, co zapewnia wysoki współczynnik oddawania światła.

Produkty z serii Twinkly RGB i RGB+W są wytwarzane zgodnie z zasadami i procesami jakości pozwalającymi uzyskać wysoki stopień czystości kolorów podstawowych.

Minimalne wartości czystości wzbudzenia światła niebieskiego, zielonego i czerwonego przedstawiono w poniższej tabeli.

Licencjonowanie Bluetooth

Znak słowny i logo Bluetooth® są zarejestrowanymi znakami towarowymi należącymi do Bluetooth SIG, Inc. i każde użycie tych znaków przez Ledworks SRL jest objęte licencją. Inne znaki towarowe i nazwy handlowe należą do ich właścicieli.

Częstotliwości radiowe dla 802.11 b/g/n Wi-Fi / Bluetooth V4.2 BR/EDR/LE	Valeurs de pureté des couleurs
Częstotliwość 2402/2480 Mhz	Bleu > 90%
Maksymalna moc wyjściowa <100mW	Vert > 65%
	Rouge > 95%

* Wartości dotyczą tylko produktów w wersjach RGB (STP) i RGBW (SPP), nie zaś AWW (GOP)

UA Ознайомтеся з інструкціями з техніки безпеки та дотримуйтеся їх.

1. ОЗНАЙОМТЕСЯ З ІНСТРУКЦІЯМИ З ТЕХНІКИ БЕЗПЕКИ Й ДОТРИМУЙТЕСЯ ЇХ.
2. Використовувати сезонні вироби поза приміщеннями можна лише в тому випадку, якщо на них нанесено маркування про придатність до використання в приміщеннях і на вулиці. Якщо виріб використовується поза приміщенням, підключіть його до роз'єму із вимикачем короткого замикання на землю. Якщо такого роз'єму немає, зверніться до спеціаліста-електрика, щоб установити її належним чином.
3. Цей виріб призначено для сезонного використання. Він не підходить для стаціонарного монтажу або постійного використання.
4. Не встановлюйте та не розташовуйте виріб поряд із газовими або електричними нагрівачами, камінами, свічками та іншими аналогічними джерелами тепла.
5. Не закріплюйте проводку виробу скобами або цвяхами та не розміщуйте її на гострих гаках чи цвяхах.
6. Не розташовуйте лампи на дроті живлення або на іншій проводці.
7. Від'єднайте прилад від електромережі, перш ніж йти з дому, а також на ніч чи у випадку, якщо прилад залишиться без нагляду.
8. Це електричний прилад, а не іграшка. Щоб уникнути пожежі, опіків, травм і ураження електричним струмом, не слід грати з ним або залишати там, де до нього можуть дістатися маленькі діти.
9. Використовуйте виріб виключно за призначенням.
10. Не вішайте прикраси та інші предмети на шнур, дріт або гірлянду.
11. Поки виріб використовується, не накривайте його матерією, папером або іншим матеріалом, що не є частиною виробу.
12. Не затискайте виріб або подовжувачі дверми чи вікнами, оскільки це може пошкодити електричну ізоляцію.
13. Ознайомтеся з усіма інструкціями, що нанесені на виріб або постачаються з ним, і дотримуйтеся їх.
14. ЗБЕРІГАЙТЕ ЦІ ІНСТРУКЦІЇ.
15. Не підключайте гірлянду до джерела живлення, поки вона в упаковці.
16. Якщо лампи поламано або пошкоджено, у жодному разі не використовуйте такий виріб і не вмикайте його живлення. Гірлянду слід безпечно утилізувати.
17. Можливість заміни ламп не передбачено.
18. УВАГА! ЯКЩО ЛАМПИ ПОШКОДЖЕНО АБО ЯКЩО ВОНИ ВІДСЪТНІ, Є РИЗИК УРАЖЕННЯ ЕЛЕКТРИЧНИМ СТРУМОМ. НЕ ВИКОРИСТОВУЙТЕ ПРИЛАД.

Інструкції з використання та догляду

- a. Якщо виріб розшувається на живому дереві, за цим деревом потрібно доглядати, щоб воно зберігало свіжість. Не розміщуйте виріб на деревах із голками, що набули коричневого кольору або легко відламуються. Заливайте воду в джку, у яку встановлено дерево.
- b. Дерево, на якому розвішано виріб, має стояти стійко та бути добре закріпленим.
- c. Перед використанням виробу як уперше, так і повторно уважно огляньте його. Якщо ізоляцію на дротах або самі дроти пошкоджено, надрізано чи перетерто, тримач або корпус лампи пошкоджено, яксь підключення тримаються не щільно, або ж видно оголений мідний дріт, такий виріб слід утилізувати.
- d. Під час складання виробу обережно зніміть його з його розташування, наприклад із дерева, гілок або кущів. Уникайте зайвого натягіння або навантаження на провідники, з'єднання та дроти.
- e. Зберігати виріб слід охайно складеним у прохолодному сухому місці, захищеному від сонячного світла.
- f. Експлуатація підпорядковується наступним двом умовам: (1) цей пристрій не повинен створювати перешкоди, і (2) цей пристрій повинен приймати будь-які перешкоди, включаючи перешкоди, які можуть спричинити небажану роботу пристрою.

УВАГА! Щоб знизити ризик займання або ураження електричним струмом:

- a. Не розміщуйте виріб на деревах, голки, листя або покриття гілок яких виконано з металу чи матеріалів, схожих на метал.
- b. Не монтуйте та не прокладайте дроти таким чином, що може пошкодити ізоляцію.

Застереження щодо класу А. Випробування показали, що цей прилад відповідає обмеженням для цифрових пристроїв класу Class A, наведеним у частині 15 Правил

Федеральної комісії зі зв'язку США. Ці обмеження призначено для забезпечення належного захисту від шкідливого випромінювання в житлових приміщеннях. Цей прилад утворює, використовує та випромінює енергію у вигляді радіохвиль. Якщо під час його встановлення та використання не дотримуватись інструкцій, можуть виникати завади для радіозв'язку. При цьому не надається жодних гарантій щодо відсутності таких завад в усіх можливих конфігураціях розміщення. Якщо прилад дієсно утворює шкідливі завади для приймання сигналу радіо або телебачення (це можна перевірити, вмикаючи та вмикаючи це обладнання), ви можете спробувати їх усунути одним чи кількома наведеними далі способами:

- Змініть орієнтацію або розташування антени-приймача.
- Розташуйте прилад і антену на більшому віддаленні одне від одного.
- Підключіть прилад і приймач до різних електричних кіл.
- Зверніться по допомогу до постачальника або досвідченого майстра з радіо- та телевізійної техніки.

Відмова від відповідальності за сумісність

Продуктивність бездротового зв'язку залежить від бездротової технології Bluetooth/WiFi пристрою, будь ласка, проконсультуйтеся з виробником пристрою. Ledworks SRL не несе відповідальності за будь-яку втрату або витік даних, що виникли в результаті використання цих пристроїв

⚠ УВАГА!

Не підключайте гірлянду до джерела живлення, поки вона в упаковці. Можливість ремонту або заміни кабелю не передбачено. ЛАМПИ НЕПРИДАТНІ ДЛЯ ЗАМІНИ. Не підключайте цю гірлянду до електричних приладів від іншого виробника. УВАГА! Небезпека удення. Зберігайте в недоступному для малих дітей місці.



Символ перекресленого сміттевого контейнера на колесах вказує, що цей виріб слід утилізувати окремо від побутових відходів. Виріб слід здавати на переробку відповідно до місцевих екологічних нормативів.

Компанія-виробник Ledworks Srl заявляє, що цей пристрій відповідає директивам (LVD) 2014/35/EU, (RED) 2014/53/EU, (EMC) 2014/30/EU, (RoHS) 2011/65/EU, (REACH) 1907/2006. Повний текст декларації про відповідність нормам ЄС доступний тут: www.twinkly.com/certifications

Системні вимоги

Мінімальні системні вимоги для мобільних телефонів – iOS 11 і Android 5. Щоб застоснок працював якнайкраще, установіть останні оновлення в магазині.

Технічні характеристики

Електричне живлення: двв. етикетку

Клас IP-захисту: IP44

Світлодіоди преміуміврня

Цей передача кольору була на високому рівні, у виробач Twinkly використовуються лише високоякісні світлодіоди.

Вироби RGB та RGB+W від Twinkly виготовляються з дотриманням принципів і процесів забезпечення якості, що дають високий ступінь чистоти основних кольорів.

У таблиці нижче наведено мінімальні значення умовної чистоти для синього, зеленого й червоного компонентів..

Ліцензування Bluetooth

Словесний знак і логотип Bluetooth® є зареєстрованими товарними знаками, що належать Bluetooth SIG, Inc., і будь-яке використання цих знаків компанією Ledworks SRL є ліцензованим. Інші торгові марки та торгові назви є власністю відповідних власників.

Робоча частота для 802.11 b/g/n Wi-Fi / Bluetooth V4.2 BR/EDR/LE	Параметри чистоти кольору
Частота 2402/2480 Mhz	Синій > 90%
Максимальна вихідна потужність <100mW	Зелений > 65%
	Червоний > 95%

* Ці значення діють лише для виробів RGB (STP) і RGBW (SPP). До виробів AWW (GOP) вони не застосовуються.

RU Прочитайте и соблюдайте все инструкции по технике безопасности.

1. **ПРОЧИТАЙТЕ И СОБЛЮДАЙТЕ ВСЕ ИНСТРУКЦИИ ПО ТЕХНИКЕ БЕЗОПАСНОСТИ.**
2. Внешний гибкий кабель или шнур данного светильника не подлежит замене; если шнур поврежден, светильник подлежит уничтожению. Источник света этого светильника не подлежит замене; когда срок службы источника света истекает, весь светильник подлежит замене.
3. Эта статья не подходит для освещения помещения и предназначена только для украшения.
4. Не устанавливайте и не размещайте изделие вблизи газовых или электрических обогревателей, каминов, свечей или других подобных источников тепла.
5. Не закрепляйте проводку изделия скобами или гвоздями и не размещайте изделие на острых крючках или гвоздях.
6. Лампы изделия не должны касаться шнура питания или любого другого провода. Выключайте изделие из розетки, когда выходите из дома, ложитесь спать на ночь или если его оставили без присмотра.
7. Вынимайте вилку из розетки, когда выходите из дома, ложитесь спать или оставляете изделие без присмотра.
8. Это электрическое изделие, а не игрушка! Во избежание риска возгорания, ожогов, травм и поражения электрическим током не следует играть с изделием или размещать в месте, где к нему могут получить доступ маленькие дети.
9. Не используйте данное изделие не по назначению.
10. Не вешайте украшения или другие предметы на шнур, провод или гирлянду.
11. Не накрывайте включенное изделие тканью, бумагой или любым материалом, не являющимся частью изделия.
12. Не закрывайте двери или окна на протяннутом через них изделии или удлинителе, так как это может повредить изоляцию проводов.
13. Прочтите и выполните все инструкции, которые указаны на изделии или прилагаются к нему.
14. **СОХРАНИТЕ ЭТИ ИНСТРУКЦИИ.**
15. Не подключайте гирлянду к источнику питания, пока она находится в упаковке.
16. В случае поломки или повреждения лампы гирлянда не должна использоваться/включаться, а должна быть безопасно утилизирована.
17. Лампы не подлежат замене.
18. **ПРЕДУПРЕЖДЕНИЕ: РИСК ПОРАЖЕНИЯ ЭЛЕКТРИЧЕСКИМ ТОКОМ В СЛУЧАЕ, ЕСЛИ ЛАМПЫ СЛОМАНЫ ИЛИ ОТСУТСТВУЮТ. ЗАПРЕЩАЕТСЯ ИСПОЛЬЗОВАТЬ.**

Инструкция по использованию и уходу

- a. При размещении изделия на живом дереве, обращайте внимание на состояние дерева: оно должно быть ухоженным и свежим. Не размещайте изделие на живых ветвях с коричневой или легко обламывающейся хвоей. Держите подставку для живого дерева наполненной водой.
- b. При размещении изделия на живом дереве проследите, чтобы дерево было хорошо закреплено и находилось в устойчивом положении.
- c. Перед использованием или повторным использованием внимательно осмотрите изделие. Выбросьте все изделия, у которых порезана, повреждена или изношена изоляция проводов или шнуров, трещины в держателях или корпусах ламп, ослабленные соединения или оголенный медный провод.
- d. При складывании изделия на хранение осторожно извлекайте его из места размещения, включая деревья, ветви или кусты, чтобы избежать чрезмерного натяжения или деформации проводников, соединений и проводки изделия.
- e. Храните неиспользуемые изделия аккуратно сложенными в прохладном, сухом месте, защищенном от солнечного света.
- f. Эксплуатация устройства регламентируется следующими двумя условиями: (1) данное устройство не должно создавать помех, и (2) данное устройство должно принимать любые помехи, включая помехи, которые могут вызвать нежелательную работу устройства

электрическим током:

- a. Не устанавливайте на деревьях, имеющих хвою, листья или ветви, покрытые металлом или материалами, которые выглядят как металл.
- b. Не монтируйте и не поддерживайте провода таким образом, чтобы это могло привести к перерезанию или повреждению их изоляции.

Отказ от класса А: Данное оборудование было протестировано и признано соответствующим ограничениям для цифровых устройств класса А в соответствии с частью 15 правил FCC. Эти ограничения предназначены для обеспечения разумной защиты от вредных помех при установке в жилых помещениях. Данное оборудование генерирует, использует и может излучать радиочастотную энергию и, если оно установлено и используется не в соответствии с инструкциями, может создавать вредные помехи для радиосвязи. Однако нет гарантии, что помехи не возникнут в конкретной установке. Если данное оборудование создает помехи для радио- или телевизионного приема, что может быть определено путем выключения и включения оборудования, пользователю рекомендуется попытаться устранить помехи одним или несколькими из следующих способов.

- Переориентируйте или переместите приемную антенну.
- Увеличить расстояние между оборудованием и приемником.
- Подключить оборудование к розетке в цепи, отличной от той, к которой подключен приемник.
- Обратитесь за помощью к дилеру или опытному специалисту по радио/ТВ.

Заявление о совместимости

Производительность беспроводной связи зависит от беспроводной технологии Bluetooth/WiFi вашего устройства, пожалуйста, обратитесь к производителю вашего устройства. Ledworks SRL не несет ответственности за любые потери данных или утечки, возникшие в результате использования этих устройств.

ПРЕДУПРЕЖДЕНИЕ!

Не подключайте гирлянду к источнику питания, пока она находится в упаковке. Соединительный кабель не подлежит ремонту или замене. **НЕЗАМЕНЯЕМЫЕ ЛАМПЫ.** Не подключайте эту гирлянду к устройствам другого производителя. **ОСТОРОЖНО!** Опасность удушья. Хранить в недоступном для маленьких детей месте.



Знак перечеркнутого бака на колесах указывает на то, что данный предмет следует утилизировать отдельно от бытовых отходов. Изделие следует сдавать на переработку в соответствии с местными экологическими нормами утилизации отходов

Производитель, Ledworks Srl, заявляет, что это устройство соответствует директивам (LVD) 2014/35/EU, (RED) 2014/53/EU, (EMC) 2014/30/EU, (RoHS) 2011/65/EU, (REACH) 1907/2006. Полный текст декларации соответствия ЕС доступен по следующему адресу в Интернете:

www.twinkly.com/certifications

Системные требования

Минимальные системные требования для мобильных телефонов — iOS 11 и Android 5. Проверьте магазин приложений на наличие последних обновлений, чтобы обеспечить максимальную производительность.

Технические характеристики

Источник питания: см. этикетку
IP защита: IP44

Светодиоды премиум-класса

Для обеспечения интенсивной цветопередачи в продуктах Twinkly используются только высококачественные светодиоды.

Продукты Twinkly RGB и RGB+W производятся в соответствии с принципами и процессами обеспечения качества, которые позволяют нам получать высокую степень чистоты основных цветов.

Минимальные значения усредненной чистоты цвета для синего, зеленого и красного компонентов приведены в таблице ниже.

ライセンス化 Bluetooth

Словесный знак Bluetooth Bluetooth® и логотипы являются зарегистрированными торговыми марками, принадлежащими Bluetooth SIG, Inc. и любое использование этих знаков компаний Ledworks SRL осуществляется по лицензии. Другие торговые марки и торговые названия принадлежат их соответствующим владельцам.

Функциональная радиодатота для Wi-Fi 802.11 b/g/n / Bluetooth V4.2 BR/EDR/LE 帮助. Частота 2402/2480 МГц Максимальная выходная мощность <100 мВт	Значения чистоты цвета Синий > 90 Зеленый > 65 Красный > 95
---	---

* Значения относятся только к продуктам RGB (STP) и RGBW (SPP), но не к продуктам AWW (GOP).

JP すべての安全に関する指示を読み、それに従ってください

1. すべての安全に関する指示を読み、それに従ってください。
2. ガスや電気のリモーター、暖房、ろうそく、その他同様の熱源の近くに取付けたり、置いたりしないでください。
3. この照明器具の外部フレキシブルケーブルまたはコードは交換できません。コードが破損した場合、この照明器具を破棄しなければなりません。この照明器具の光源は交換できません。光源が寿命に達したら、照明器具全体を交換しなければなりません。
4. 本製品は室内照明には適しておらず、あくまで装飾品である。
5. 本製品の配線をホックキスや釘で固定したり、鋭利なフックや釘の上に置いたりしないでください。
6. ランプを電源コードや電線の上に置かないでください。
7. 外出時や就寝時など、人がいないときはプラグを抜いてください。
8. 本製品は電気製品であり、おもちゃではありません。火災、やけど、けが、感電の危険を避けるため、遊んだり、小さな子供の手の届くところに置かないこと。
9. 本製品を本来の用途以外に使用しないでください。
10. コードや針金、ヒモに装飾品などをぶら下げないでください。
11. 使用中は、布や紙など製品以外のものでも覆わないでください。
12. 製品または延長コードにドアや窓を閉めないでください。
13. 製品に記載されている、または製品に付属しているすべての説明書を読み、それに従ってください。
14. これらの指示は保存してください。
15. 梱包された状態で、チェーンを電源に接続しないでください。
16. ランプの破損や損傷が発生した場合、チェーンは使用 / 通電 せず、安全に廃棄してください。
17. ランプは交換できません。
18. 警告：ランプが破損または紛失している場合、感電の危険があります。使用しないでください。

使用方法とお手入れ方法

- a. 生きている樹木に本製品を置く場合は、樹木の状態に注意してください。針が茶色い、または折れやすい生木に本製品を置かないでください。生木には水を張っておく。
- b. 本製品を生きた樹木に設置する場合は、樹木がしっかりと固定され、安定した位置にあることを確認してください。
- c. 使用または再利用する前に、製品をよく点検してください。電線やコードの被覆が切れたり、損傷したり、擦り切れたりした製品、ランプホルダーやハウジングに亀裂がある製品、接続が弱い製品、銅線が露出している製品はすべて廃棄してください。
- d. 製品を保管する場合は、製品の導体や接続部、配線に過度の負担や変形がかからないように、木や枝、茂みなど、設置場所から慎重に取り外してください。
- e. 未使用の製品を大切に保管すること。日光を避け、乾燥した涼しい場所に保管してください。
- f. (1)本装置は干渉を引き起こしてはならない。(2)本装置は、本装置の望ましくない動作を引き起こす可能性のある干渉を含め、あらゆる干渉を受け入れなければならない。

電流による

- a. 針葉樹や枝に金属や金属に似た素材が付着している樹木には設置しないでください。

- b. 電線を切断したり、絶縁体を損傷するような方法で、電線を取り付けたり、支持したりしないでください。

Class A 免責事項：この装置は、FCC規則のパート15に従って、Class A デジタルデバイスの制限に準拠することが試験により確認されています。これらの制限は、住宅用設備において有害な干渉から妥当に保護するように設計されています。この装置は、無線周波エネルギーを発生、使用、放射することがあり、指示に従わずに設置、使用した場合、無線通信に有害な干渉を引き起こす可能性があります。ただし、特定の設置場所において干渉が発生しないことを保証するものではありません。本装置がラジオやテレビの受信に有害な干渉を引き起こす場合（装置の電源を切ったり入れたりすることで判断できる）、ユーザーは以下の手段の1つ以上によって干渉を修正するよう試みることが推奨されます。

- 受信アンテナの向きや位置を変更する。
- 機器と受信機の離隔距離を大きくする。
- 受信機が接続されている回路とは別の回路のコンセントに機器を接続してください。
- 販売店、または経験豊富なラジオやテレビの技術者に相談してください。

互換性についての免責事項

ワイヤレス性能は、お使いの機器のBluetooth/WiFiワイヤレス技術に依存しますので、お使いの機器のメーカーにお問い合わせください。Ledworks SRLは、これらのデバイスの使用に起因するデータの損失や漏えいについて、一切責任を負いません。

⚠ 警告!

デザインチェーンを梱包したまま電源に接続しないでください。接続ケーブルの修理・交換はできません。電球の交換はできません。このデザインチェーンは他社製の機器と接続しないでください。警告！ 窒息の危険性がある。小さなお子様の手の届かないところに保管してください。



このマークは、家庭ごみと区別して処理されることを示します。本製品は、廃棄物処理に関する地域の環境規制に従って廃棄する必要があります。

製造元である Ledworks Srl は、このデバイスが指令 (LVD) 2014/35/EU、(RED) 2014/53/EU、(EMC) 2014/30/EU、(RoHS) 2011/65/EU、(REACH) 1907/2006 に適合することを宣言しています。EU 適合宣言の全文は、次のインターネットアドレスでご覧いただけます：www.twinkly.com/certifications

システム要件

携帯電話の最低システム要件は、iOS 11とAndroid 5です。最高のパフォーマンスを発揮するために、アプリショップで最新のアップデートを確認してください。

技術仕様

電源：ラベル参照
IP保護：IP44

プレミアムLED

Twinkly製品には、高品質のLEDのみが使用され、鮮明な演色性を確保しています。Twinkly RGBおよびRGB+Wの製品は、原色の高い純度を実現するための品質保証の原則とプロセスに従って製造されています。青、緑、赤の各成分の条件付き色純度の最小値を下表に示す。Bluetooth® のワードマークおよびロゴは、Bluetoothが所有する登録商標です。

Bluetooth ライセンス

Bluetooth® のワードマークおよびロゴは、Bluetooth SIG, Inc. が所有する登録商標であり、Ledworks SRLによるこれらのマークの使用は、ライセンスに基づくものです。その他の商標および番号は、それぞれの所有者のものです。

802.11 b/g/n Wi-Fi / Bluetooth V4.2 BR/EDR/LE 対応周波 数範囲 周波数2402/2480Mhz 最大出力パワー <100mW	色純度値 ブルー > 90 グリーン > 65 赤 > 95
---	--

* RGB (STP)、RGBW (SPP) 製品にのみ適用される値であり、RGBW製品には適用されません。AAW (GOP) 製品です。

KR 모든 안전 지침을 읽고 따르세요.

1. 모든 안전 지침을 읽고 준수하세요.
2. 이 조영기구의 외부 플렉시블 케이블 또는 코드를 교체해서는 안 되며, 코드가 손상된 경우 조영기구를 폐기해야 합니다. 이 조영기구의 광원은 교체할 수 없으며, 광원의 수명이 다하면 전체 조영기구를 교체해야 합니다.
3. 이 제품은 실내 조영용으로 적합하지 않으며 장식용으로만 사용할 수 있습니다.
4. 가스 또는 전기 히터, 펌프, 양초 또는 기타 유사한 열원 근처에 제품을 설치하거나 두지 마세요.
5. 제품의 배선을 스테이플이나 못으로 고정하지 말고 날카로운 갈고리나 못에 제품을 올려놓지 마세요.
6. 제품의 전구가 전원 코드나 다른 전선에 닿지 않도록 하세요. 외출할 때, 밤에 잠자리에 들 때 또는 제품을 방지할 때는 플러그를 뽑아 두세요.
7. 외출하거나 밤에 잠자리에 들거나 제품을 방지할 때는 어떤 콘센트에서 제품의 플러그를 뽑으세요.
8. 이것은 장난감이 아닌 전기 제품입니다! 화재, 화상, 부상 또는 감전의 위험을 줄이려면 이 제품을 가리고 높거나 어린이가 접근할 수 있는 곳에 두지 마세요.
9. 이 제품을 의도된 용도 이외의 용도로 사용하지 마세요.
10. 코드, 와이어나 또는 가랜드에 장식이나 기타 물건을 걸지 마세요.
11. 전원이 켜져 있을 때 천, 종이 또는 제품의 일부가 아닌 다른 물질로 제품을 덮지 마세요.
12. 제품의 절연이 손상될 수 있으므로 제품이나 연장 코드가 통과하는 문이나 창문을 닫지 마세요.
13. 제품에 표시되어 있거나 제품과 함께 제공된 모든 지침을 읽고 따르세요.
14. 이 지침을 포함한 곳에 보관하세요.
15. 화환을 포장 상태 그대로 전원에 연결하지 마세요.
16. 전구가 파손되거나 손상된 경우 가랜드는 사용/연결해서는 안 되며 안전하게 폐기해야 합니다.
17. 전구를 교체하지 않아야 합니다.
18. 경고: 전구가 파손되었거나 없는 경우 감전 위험이 있습니다. 늘 사용해서는 안 됩니다.

사용 및 관리 지침

- a. 살아있는 나무에 제품을 놓을 때는 나무의 상태에 주의하세요. 나무는 잘 관리되고 신선해야 합니다. 갈색 또는 쉽게 부러지는 바늘이 있는 살아있는 나무 위에 제품을 올려놓지 마세요. 살아있는 나무를 위한 스탠드에 물을 가득 채우세요.
- b. 제품을 살아있는 나무 위에 놓을 때는 나무가 잘 고정되어 있고 안정적인 위치에 있는지 확인하세요.
- c. 제품을 사용하거나 재사용하기 전에 제품을 주의 깊게 검사하세요. 전선 또는 코드 절연이 끊어지거나 손상되거나 덮은 제품, 램프 홀더 또는 하우징에 균열이 있는 제품, 연결부가 느슨하거나 구리선이 노출된 제품은 모두 폐기합니다.
- d. 제품을 보관할 때는 제품의 도색, 연결부 및 배선에 과도한 긴장이나 변형이 발생하지 않도록 나무, 나뭇가지, 덩굴 등 주변에서 제품을 조심스럽게 치우야 합니다.
- e. (1) 본 기기는 간섭을 일으키지 않아야 하며, (2) 본 기기는 기기의 원치 않는 작동을 유발할 수 있는 간섭을 포함한 모든 간섭을 수용해야 합니다.

감전으로:

- a. 바늘, 나뭇잎, 나뭇가지가 금속으로 덮여 있거나 금속처럼 보이는 물질이 있는 나무에는 설치하지 마세요.
- b. 절연체를 자르거나 손상시킬 수 있는 방식으로 전선을 장착하거나 지지하지 마세요.

클래스 A 면적 조항: 이 장치는 테스트를 거쳐 FCC 규정의 파트 15에 따라 클래스 A 디지털 장치에 대한 제한 사항을 준수하는 것으로 확인되었습니다. 이러한 제한은 주거용 설치에서 유해한 간섭으로부터 합리적인 보호를 제공하기 위해 고안되었습니다. 이 장치는 무선 주파수 에너지를 생성, 사용 및 방출할 수 있으며 지침에 따라 설치 및 사용하지 않을 경우 무선 통신에 유해한 간섭을 일으킬 수 있습니다. 그러나 특정 설치 환경에서 간섭이 발생하지 않는다는 보장은 없습니다. 이 장치가 라디오 또는 텔레비전 수신에 유해한 간섭을 일으키는 경우(장비를 끄다 커서 확인할 수 있음), 사용자는 다음 조치 중 하나 이상을 사용하여 간섭을 수정하는 것이 좋습니다:

- 수신 안테나의 방향 또는 위치를 변경합니다.
- 장비와 수신기 사이의 간격을 늘립니다.
- 수신기가 연결된 회로와 다른 회로의 콘센트에 장비를 연결합니다.
- 무선 성능은 기기의 블루투스/와이파이 무선 기술에 따라 다르므로 기기 제조업체에 문의하시기 바랍니다. Ledworks SRL은 이러한 장치 사용으로 인한 데이터 손실 또는 유출에 대해 책임을 지지 않습니다.
- 리셀러 또는 숙련된 라디오 및/또는 텔레비전 기술자에게 도움을 요청하세요.

호환성 면적 조항

무선 성능은 기기의 블루투스/와이파이 무선 기술에 따라 다르므로 기기 제조업체에 문의하시기 바랍니다. Ledworks SRL은 이러한 장치 사용으로 인한 데이터 손실 또는 유출에 대해 책임을 지지 않습니다.

경고!

데이터 체인을 방지 상태일 때는 전원 공급 장치에 연결하지 마십시오. 연결 케이블은 수리하거나 교체할 수 없습니다. 전구는 교체할 수 없습니다. 이 크리스마스 조명을 다른 제조업체의 제품과 연결하지 마세요.

경고! 직접 위험. 어린이의 손이 닿지 않는 곳에 보관하세요.



귀 달린 쓰레기통에 줄이 그어져 있는 기호는 해당 품목을 일반 쓰레기와 분리하여 배출해야 함을 나타냅니다. 해당 제품은 폐기물 처리에 관한 현지 환경 규정에 따라 폐기해야 합니다.

제조업체인 Ledworks Srl은 이 장치가 (LVD) 2014/35/EU, (RED) 2014/53/EU, (EMC) 2014/30/EU, (RoHS) 2011/65/EU, (REACH) 1907/2006 지침을 준수함을 선언합니다. EU 적합성 선언 전문은 다음 인터넷 주소(www.twinkly.com/certifications)에서 확인할 수 있습니다.

시스템 요구 사항

휴대폰의 최소 시스템 요구 사항은 iOS 11 및 Android 5입니다. 앱 스토어에서 최신 업데이트를 확인하여 성능을 극대화하세요..

기술 사양

전원 공급 장치: 라벨 참조
IP 보호: IP44

프리미엄 LED

트윅클리 제품에는 고품질 LED만 사용되어 강렬한 색상을 구현합니다. 트윅클리 RGB 및 RGB+W 제품은 높은 수준의 원색 순도를 달성할 수 있는 품질 보증 원칙과 프로세스에 따라 제조됩니다. 파란색, 녹색 및 빨간색 구성 요소에 대한 최소 조건부 색상 순도 값은 아래 표에 나와 있습니다.

블루투스 라이선스

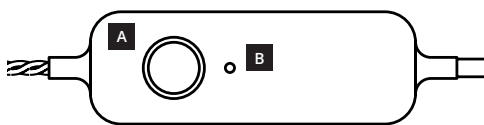
Bluetooth® 워드 마크 및 로고는 Bluetooth SIG, Inc. 소유의 등록 상표이며 Ledworks SRL의 모든 마크 사용은 라이선스 하에 있습니다. 기타 상표 및 상호는 해당 소유자의 상표입니다.

802.11 b/g/n Wi-Fi / Bluetooth V4.2 BR/EDR/LE 의 주파수 범위	색상 순도 값
주파수 2402/2480 Mhz	파란색 > 90%
최대 출력	녹색 > 65%
전력 <100mW	빨간색 > 95%

* 값은 RGB(STP) 및 RGBW(SPP) 제품에만 적용되며, 다른 제품에는 적용되지 않습니다. AWW(GOP) 제품.

controller

CONTROLLER / CONTROLLER / TÉLÉCOMMANDE / REGLER / MANDO / CONTROLADOR / CONTROLADOR / CONTROLLER / CONTROLLER / SÅADIN / KONTROLENHED / STYRENHET / KONTROLLER / STJÓRNTEKI / KRMLINIK / OVLADAČ / OVLADAČ / VEZÉRLŐ / CONTROLLER / КОНТРОЛЕР / KONTROLOR / ΕΛΕΓΚΤΗΣ / KONTROLÖR / KONTROLER / КОНТРОЛЕР / KONTROLLER / コントローラ / 컨트롤러



BUTTON / PULSANTE / BOUTON / TASTE / BOTÓN / BOTÃO / KNOP / PAINIKE / KNAF / KNAPP / KNAPP / HNAPPUR / GUMB / TLAČIDLO / TLAČKO / GOMB / BUTON / БУТОН / DUGME / KOUMPI / DUGME / PRZYCISK / KNOPIKA / ボタン / 押

LED INDICATOR / INDICATORE LED / VOYANT / LED-ANZEIGE / INDICADOR LED / INDICADOR DE CHUMBO / LED-INDICATOR / LED-ILMAISIN / LED-INDIKATOR / LED-INDIKATOR / LED-INDIKATOR / LED LJÓS / INDIKATOR LED / LED INDIKATOR / LED INDIKATOR / LED-KIJELZŐ / INDICATOR LED / СВЕТОДИОДЕН ИНДИКАТОР / LED INDIKATOR / ΕΝΔΕΙΞΗ LED / LED GÖSTERGE / WSKAZNIK LED / СВІТЛОДИОДНИЙ ІНДИКАТОР / СВЕТОДИОДНЫЙ ИНДИКАТОР / 리드인디케이터 / LED 표시등 /

- EN**
- CONTINUOUS GREEN: Direct Wi-Fi mode, connected
 - FLASHING GREEN: Direct Wi-Fi mode, no device connected
 - CONTINUOUS BLUE: Home Wi-Fi network mode, connected
 - FLASHING BLUE: Home Wi-Fi network mode, connection in progress
 - FLASHING RED: Home Wi-Fi network mode, unable to connect
-
- LIGHT BLUE: SETUP MODE (Bluetooth ON)
 - YELLOW: Firmware Update in progress
 - CONTINUOUS RED: General error
-
- FLASHING WHITE: Reset procedure in progress

- IT**
- VERDE FISSO: modalità Wi-Fi diretta - connesso
 - VERDE LAMPEGGIANTE: modalità Wi-Fi diretta - nessun dispositivo collegato
 - BLU FISSO: modalità rete WiFi domestica - connesso
 - BLU LAMPEGGIANTE: modalità rete WiFi domestica - connessione in corso
 - ROSSO LAMPEGGIANTE: modalità rete WiFi domestica - impossibile connettersi
-
- AZZURRO: Modalità SETUP (Bluetooth acceso)
 - GIALLO: Aggiornamento Firmware in corso
 - ROSSO FISSO: Errore generale
-
- BIANCO LAMPEGGIANTE: Procedura Reset in corso

- FR**
- VERT FIXE: Mode Wi-Fi direct, connecté
 - VERT CLIGNOTANT: Mode Wi-Fi direct, aucun appareil connecté
 - BLEU FONCÉ FIXE: Mode réseau Wi-Fi domestique, connecté
 - BLEU FONCÉ CLIGNOTANT: Mode réseau Wi-Fi domestique, connexion en cours
 - ROUGE CLIGNOTANT: Mode réseau Wi-Fi domestique, impossible de se connecter
-
- BLEU CLAIR FIXE: mode CONFIGURATION (Bluetooth activé)
 - JAUNE FIXE: mise à jour du micrologiciel en cours
 - ROUGE FIXE: erreur générale
-
- BLANC CLIGNOTANT: procédure de réinitialisation en cours

- DE**
- GRÜN ERLEUCHTET: Direkter Wi-Fi-Modus, verbunden
 - GRÜN BLINKEND: Direkter Wi-Fi-Modus, kein Gerät verbunden
 - BLAU ERLEUCHTET: Heim-Wi-Fi-Netzwerkmodus, verbunden
 - BLAU BLINKEND: Heim-Wi-Fi-Netzwerkmodus, Verbindung wird hergestellt
 - ROT BLINKEND: Heim-Wi-Fi-Netzwerkmodus, keine Verbindung möglich
-
- HELLBLAU: SETUP-Modus (Bluetooth EIN)
 - GELB: Firmware wird aktualisiert
 - ROT ERLEUCHTET: Allgemeiner Fehler
-
- WEISS BLINKEND: Vorgang wird zurückgesetzt

- NL**
- CONTINU GROEN: Directe Wi-Fi-modus - verbonden
 - GROEN KNIPPEREN: Directe Wi-Fi-modus, geen apparaat aangesloten
 - CONTINU BLAUW: Thuis Wi-Fi-netwerkmodus, verbonden
 - BLAUW KNIPPEREN: Thuis Wi-Fi-netwerkmodus, bezig met verbinden
 - ROOD KNIPPEREN: Thuis Wi-Fi-netwerkmodus, niet in staat om verbinding te maken
-
- CYAN: SETUP-modus (Bluetooth aan)
 - GEL: Firmware update wordt uitgevoerd
 - CONTINU ROOD: algemene fout
-
- WIT KNIPPEREN: resetprocedure wordt uitgevoerd

- ES**
- LUZ VERDE FIJA: Modo Wi-Fi directo, conectado
 - LUZ VERDE INTERMITENTE: Modo Wi-Fi directo, no hay ningún dispositivo conectado
 - LUZ AZUL FIJA: Modo de red wifi doméstica, conectado
 - LUZ AZUL INTERMITENTE: Modo de red wifi doméstica, conectándose
 - LUZ ROJA INTERMITENTE: Modo de red wifi doméstica, imposible conectarse
-
- AZUL: modo de CONFIGURACIÓN (Bluetooth encendido)
 - AMARILLO: firmware actualizándose
 - LUZ ROJA FIJA: error general
-
- LUZ BLANCA INTERMITENTE: procedimiento de reinicio en curso

- PT**
- CONTINU GROEN: Directe Wi-Fi-modus - verbonden
 - GROEN KNIPPEREN: Directe Wi-Fi-modus, geen apparaat aangesloten
 - CONTINU BLAUW: Thuis Wi-Fi-netwerkmodus, verbonden
 - BLAUW KNIPPEREN: Thuis Wi-Fi-netwerkmodus, bezig met verbinden
 - ROOD KNIPPEREN: Thuis Wi-Fi-netwerkmodus, niet in staat om verbinding te maken
-
- CYAN: SETUP-modus (Bluetooth aan)
 - GEL: Firmware update wordt uitgevoerd
 - CONTINU ROOD: algemene fout
-
- WIT KNIPPEREN: resetprocedure wordt uitgevoerd

- DA**
- FORTSAT GRØN: AP-tilstand, tilsluttet
 - BLINKENDE GRØN: AP-tilstand, ingen enhed tilsluttet
 - FORTSAT BLÅ: Wi-Fi-tilstand, tilsluttet
 - BLINKENDE BLÅ: Wi-Fi-tilstand, forbindelse er i gang
 - BLINKENDE RØD: Wi-Fi-tilstand, kan ikke oprette forbindelse
-
- LYSEBLÅ: OPSÆTNINGSTILSTAND (Bluetooth TIL)
 - GUL: Firmwareopdatering er i gang
 - KONTINUERLIG RØD: Generel fejl
-
- BLINKENDE HVIT: Nulstillingsprocedure er i gang

- FI**
- PALAA VIHREÄNÄ: AP-tila, yhdistetty
 - VILKKUVA VIHREÄ: AP-tila, laiteita ei ole kytketty
 - PALAA SINISENÄ: Wi-Fi-tila, yhdistetty
 - VILKKUVA SININEN: Wi-Fi-tila, yhteyttä muodostetaan
 - VILKKUVA PUNAISENÄ: Wi-Fi-tila, yhteyttä ei voi muodostaa
-
- VAALEANSININEN: ASETUSTILA (Bluetooth PÄÄLLÄ)
 - KELTAINEN: Laiteohjelmistopäivitys käynnissä
 - PALAA PUNAISENÄ: Yleinen virhe
-
- VILKKUVA VALKONEN: Nollaus on käynnissä

- SV**
- LYSER GRÖNT: anslutningsläge, ansluten
 - BLINKAR GRÖNT: anslutningsläge, ingen enhet ansluten
 - LYSER BLÅTT: Wi-Fi-läge, ansluten
 - BLINKAR BLÅTT: Wi-Fi-läge, anslutning pågår
 - BLINKAR RÖTT: Wi-Fi-läge, kan inte ansluta
-
- LJUSBLÅTT: KONFIGURATIONSLÄGE (Bluetooth PÅ)
 - GULT: Uppdatering av fast programvara pågår
 - LYSER RÖTT: Allmänt fel
-
- BLINKAR HVIT: Återställning pågår

- NO**
- KONTINUERLIG GRØNT: AP-modus, tilkoblet
 - BLINKER GRØNT: AP-modus, ingen enhet tilkoblet
 - KONTINUERLIG BLÅTT: Wi-Fi-modus, tilkoblet
 - BLINKER BLÅTT: Wi-Fi-modus, tilkobling pågår
 - BLINKER RØDT: Wi-Fi-modus, kan ikke kobles til
-
- LYSEBLÅTT: OPPSETTSMODUS (Bluetooth PÅ)
 - GULT: Fastvareoppdatering pågår
 - KONTINUERLIG RØDT: Generell feil
-
- BLINKER HVITT: Tilbakestillingsprosedyre pågår

- IS**
- STODLUG GRÆNT: AP stilling, tengt
 - BLIKKANDI GRÆNT: AP stilling, ekkert tæki tengt
 - STODLUG BLÁTT: Wi-Fi stilling, tengt
 - BLIKKANDI BLÁTT: Wi-Fi stilling, tenging í gangi
 - BLIKKANDI RAÚTT: Wi-Fi stilling, ekki hægt að tengjast
-
- LJÓSBLÁTT: UPÞSETNING (Bluetooth KVEIKT)
 - GULT: Upptæring fastbúnaðar í gangi
 - STODLUG RAÚTT: Almenn villa
-
- BLIKKANDI HVÍTT: Endurstilling í gangi

- SL**
- SVETI ZELENO: način dostopne točke (AP), povezano
 - UTRIPA ZELENO: način dostopne točke (AP), nobena naprava ni povezana
 - SVETI MODRO: način Wi-Fi, povezano
 - UTRIPA MODRO: način Wi-Fi, vzpostavljane povezave
 - UTRIPA RDEČE: način Wi-Fi, povezave ni mogoče vzpostaviti
-
- SVETLO MODRA: NAČIN NASTAVITVE (Bluetooth je vklopljen)
 - RUMENA: posodabljanje vdelane programske opreme
 - SVETI RDEČE: splošna napaka
-
- UTRIPA BELO: poteka ponastavitev

- SK**
- NEPRĚTRŽITÁ ZELENÁ: režim AP, pripojený
 - BLIKAJÚCA ZELEŇA: režim AP, nie je pripojené žiadne zariadenie
 - NEPRĚTRŽITÁ MODRÁ: režim Wi-Fi je pripojený
 - BLIKAJÚCA MODRÁ: režim Wi-Fi, prebieha pripojenie
 - BLIKAJÚCA ČERVENÁ: režim Wi-Fi, pripojenie sa nepodáril
-
- SVETLÁ MODRÁ: REŽIM NASTAVENIA (Bluetooth ZAPNUTÝ)
 - ŽLTÁ: Prebieha aktualizácia firmveru
 - NEPRĚTRŽITÁ ČERVENÁ: Všeobecná chyba
-
- BLIKAJÚCA BIELA: Prebieha resetovanie

- CS**
- NEPŘETRŽITÁ ZELENÁ: Režim AP, připojeno
 - BLIKAJÍCÍ ZELĚNÁ: režim AP, není připojeno žádné zařízení
 - NEPŘETRŽITÁ MODRÁ: režim Wi-Fi, připojeno
 - BLIKAJÍCÍ MODRÁ: režim Wi-Fi, probíhá připojení
 - BLIKAJÍCÍ ČERVENÁ: režim Wi-Fi, nelze se připojit
-
- SVĚTLÉ MODRÁ: REŽIM NASTAVENÍ (Bluetooth ZAPNUTÝ)
 - ŽLTLÁ: Probíhá aktualizace firmwaru
 - NEPŘETRŽITÁ ČERVENÁ: Obecná chyba
-
- BLIKAJÍCÍ BÍLÁ: Probíhá resetovací procedura

- HU**
- FOLYAMATOS ZÖLD: AP mód, csatlakoztatva
 - VILLOGÓ ZÖLD: AP mód, nincs csatlakoztatva eszköz
 - FOLYAMATOS KÉK: Wi-Fi mód, csatlakoztatva
 - VILLOGÓ KÉK: Wi-Fi mód, a kapcsolódás folyamatban van
 - VILLOGÓ VÖRÖS: Wi-Fi mód, nem lehet csatlakozni
-
- VILÁGOS KÉK: BEÁLLÍTÁSI MÓD (Bluetooth BE)
 - SÁRGA: A firmware frissítése folyamatban van
 - FOLYAMATOS VÖRÖS: Általános hiba
-
- VILLOGÓ FEHÉR: Visszaállítási eljárás folyamatban van

- RO**
- VERDE CONTINUU: modul AP, conectat
 - VERDE INTERMITENT: modul AP, niciun dispozitiv conectat
 - ALBASTRU CONTINUU: modul AP, conectat
 - ALBASTRU INTERMITENT: modul Wi-Fi, conexiune în curs
 - ROSU INTERMITENT: modul Wi-Fi, nu se poate conecta
-
- ALBASTRU DESCHIS: MOD CONFIGURARE (Bluetooth PORŢIT)
 - GALBEN: Actualizare firmware în curs
 - ROSU CONTINUU: Eroare generală
-
- ALB INTERMITENT: Procedura de resetare este în curs

- BG**
- ПРОДЪЛЖИТЕЛНО ЗЕЛЕНО: Директен режим на Wi-Fi, свързан
 - МИГАЩО ЗЕЛЕНО: режим Direct Wi-Fi, няма свързано устройство
 - НЕПРЕКЪЩАТО СИНЬО: режим на домашна Wi-Fi мрежа, свързан
 - МИГАЩО СИНЬО: режим на домашна Wi-Fi мрежа, в процес на свързване
 - МИГАЩО ЧЕРВЕНО: Режим на домашна Wi-Fi мрежа, невъзможност за свързване
-
- СВЕТЛО СИНЬО: РЕЖИМ НА НАСТРОЙКА (включен Bluetooth)
 - ЖЪЛТО: Актуализация на фирмуера в ход
 - НЕПРЕКЪЩАТО ЧЕРВЕНО: Обща грешка
-
- МИГАЩО БЕЛО: Процедура за нулиране в ход

- HR**
- CONTINUOUS GREEN: Izravni Wi-Fi način rada, povezan
 - TREPERI ZELENO: Izravni Wi-Fi način rada, nijedan uređaj nije povezan
 - CONTINUOUS BLUE: Kućni Wi-Fi mrežni način rada, povezan
 - FLASHING BLUE: Kućni Wi-Fi mrežni način rada, veza u tijeku
 - TREPERI CRVENO: Kućni Wi-Fi mrežni način rada, nije moguće povezivanje
-
- SVIJETLOPLAVA: NAČIN POSTAVLJANJA (Bluetooth UKLJUČEN)
 - ŽUTO: Ažuriranje firmvera u tijeku
 - KONTINUIRANA CRVENA: Opća pogreška
-
- TREPERI BIJELO: Postupak vraćanja na izvorno u tijeku

- GR**
- ΣΥΝΕΧΕΣ ΠΑΡΑΣΙΟ: Λειτουργία Direct Wi-Fi, συνδεδεμένο
 - Αναβοβλίνει με πράσινο χρώμα: Άμεση λειτουργία Wi-Fi, δεν υπάρχει συνδεδεμένη συσκευή
 - ΣΥΝΕΧΕΣ ΜΠΛΕ: Λειτουργία οικιακού δικτύου Wi-Fi, συνδεδεμένη
 - ΜΠΛΕ αναβοβλίνει: Λειτουργία οικιακού δικτύου Wi-Fi, σύνδεση σε εξέλιξη
 - ΚΟΚΚΙΝΟ ΠΟΥ ΑΝΑΒΟΒΛΙΝΕΙ: Λειτουργία οικιακού δικτύου Wi-Fi, αδύναμη σύνδεση
-
- ΜΠΛΕ ΦΩΤΕΙΝΟ: ΛΕΙΤΟΥΡΓΙΑ ΡΥΘΜΙΣΗΣ (Bluetooth ενεργοποιημένο)
 - ΚΙΤΡΙΝΟ: Ενημέρωση υλικολογισμικού σε εξέλιξη
 - ΣΥΝΕΧΕΣ ΚΟΚΚΙΝΟ: Γενικό σφάλμα
-
- ΛΕΥΚΟ αναβοβλίνει: Διαδικασία επαναφοράς σε εξέλιξη

- TR**
- SÜREKLİ YEŞİL: Doğrudan Wi-Fi modu, bağlı
 - YANIP SÖNEN YEŞİL: Doğrudan Wi-Fi modu, bağlı
 - SÜREKLİ MAVİ: Ev Wi-Fi ağı modu, bağlı
 - YANIP SÖNEN MAVİ: Ev Wi-Fi ağı modu, bağlantı devam ediyor
 - KIRMIZI YANIP SÖNÜYÜR: Ev Wi-Fi ağı modu, bağlantılamıyor
-
- AÇIK MAVİ: KURULUM MODU (Bluetooth AÇIK)
 - SARI: Ürün Yazılım Güncellemesi devam ediyor
 - SÜREKLİ KIRMIZI: Genel hata
-
- YANIP SÖNEN BEYAZ: Sıfırlama prosedürü devam ediyor

- PL**
- STAŁE ZIELONE: tryb Punktu dostępowego - zawięzono
 - MIGAJĄCE ZIELONE: tryb Punktu dostępowego - zadane usterzenie nie jest podłączone
 - STAŁE NIEBIESKIE: tryb Wi-Fi, połączone
 - MIGAJĄCE NIEBIESKIE: tryb Wi-Fi, połączenie w toku
 - MIGAJĄCE CZERWONE: tryb Wi-Fi, brak możliwości połączenia
-
- NIEBIESKIE: Tryb USTAWIENIA (Bluetooth włączony)
 - ŻÓŁTE: Aktualizacja oprogramowania sprzętowego w toku
 - STAŁE CZERWONE: Błąd ogólny
-
- BIAŁE MIGAJĄCE: Procedura resetowania w toku

- UA**
- БЕЗПЕРЕРВНИЙ ЗЕЛЕНИЙ: режим точки доступу, підключено
 - БЛИМАННЯ ЗЕЛЕНИМ: режим точки доступу, немає підключених пристроїв
 - БЕЗПЕРЕРВНИЙ СИНИЙ: режим Wi-Fi, підключено
 - БЛИМАННЯ СИНИМ: режим Wi-Fi, підключення встановлюється
 - БЛИМАННЯ ЧЕРВОНИМ: режим Wi-Fi, не вдалося підключитися
-
- СВІТЛО-СИНИЙ: РЕЖИМ НАЛАШТУВАННЯ (Bluetooth увімкнено)
 - ЖОВТИЙ: триває оновлення мікропрограми
 - БЕЗПЕРЕРВНИЙ ЧЕРВОНИЙ: загальна помилка
-
- БЛИМАННЯ БІЛИМ: виконється скидання

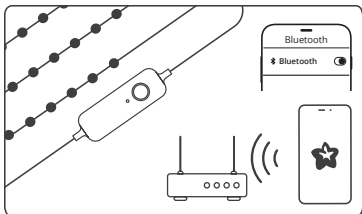
- RU**
- НЕМИГАЮЩИЙ ЗЕЛЕНЫЙ: режим точки доступа, подключен
 - МИГАЮЩИЙ ЗЕЛЕНЫЙ: режим точки доступа, нет подключенных устройств
 - НЕМИГЮЩИЙ СИНИЙ: режим Wi-Fi, подключен
 - МИГАЮЩИЙ СИНИЙ: режим Wi-Fi, выполняется соединение
 - МИГАЮЩИЙ КРАСНЫЙ: режим Wi-Fi, подключение невозможно
-
- ГОЛУБОЙ: Режим НАСТРОЙКИ (Bluetooth включен)
 - ЖЕЛТЫЙ: Идет обновление прошивки
 - НЕМИГАЮЩИЙ КРАСНЫЙ: Общая ошибка
-
- МИГАЮЩИЙ БЕЛЫЙ: Выполняется процедура сброса

- JP**
- CONTINUOUS GREEN : Direct-Wi-Fiモード、接続中
 - 緑色の点滅 : Direct-Wi-Fiモード、デバイスが接続できていません
 - CONTINUOUS BLUE : ホームWi-Fiネットワークモード、接続中
 - 青点滅 : ホームWi-Fiネットワークモード、接続中
 - 赤点滅 : ホームWi-Fiネットワークモード、接続できない
-
- 水色 : SETUP MODE (Bluetooth ON)
 - 黄色です : ファームウェアアップデート中
 - コンティニユアスレッド : 一般的なエラー
-
- 白色で点滅 : リセット処理中

- KR**
- 계속 녹색: 직접 Wi-Fi 모드, 연결됨
 - 녹색 점멸: 직접 Wi-Fi 모드, 연결된 장치 없음
 - 계속 파란색: 홈 Wi-Fi 네트워크 모드, 연결됨
 - 파란색 점멸: 홈 Wi-Fi 네트워크 모드, 연결 진행 중
 - 빨간색 점멸: 홈 Wi-Fi 네트워크 모드, 연결할 수 없음
-
- 연한 파란색: 설정 모드(블루투스 켜짐)
 - 노란색: 펌웨어 업데이트 진행 중
 - 계속 빨간색: 일반 오류
-
- 흰색 점멸: 재설정 절차 진행 중

A. Home wifi network connection

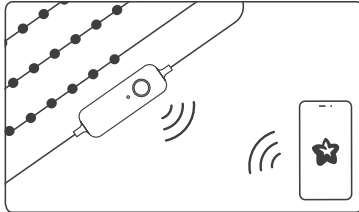
CONNESSIONE RETE WI-FI DOMESTICA / CONNEXION RÉSEAU DOMESTIQUE WI-FI / HOME WI-FI-NETZWERKVERBINDUNG / CONEXIÓ DE RED WI-FI HOME / LIGAÇÃO À REDE WIFI HOME / HOME WI-FI-NETZWERKVERBINDUNG / HOME WI-FI-NETVERKSFORBINDELSE / NEM WI-FI-NÄTVERKSANSLUTNING / HJEMME-WI-FI-NETTVÆRSTILKØBLING / HOME WI-FI NETTING / HOME WI-FI OMRÆTNA PØVEZAVA / DOMOV PRIPOJENJE SIETE WI-FI / HOME PRIPOJENÍ K SÍTI WI-FI / OTTHONI WI-FI HÁLÓZATI KAPCSOLAT / HOME CONEXIUNE LA REȚEA WI-FI / СВ'ЯЗАННЯ НА ДОМАШНА WI-FI МРЕЖА / KUČNA WI-FI MREŽNA VEZA / ΣΥΝΔΕΣΗ ΔΙΚΤΥΟΥ WI-FI ΣΤΟ ΣΠΙΤΙ / EV WI-FI AĞ BAĞLANTISI / POŁĄCZENIE SIĘCIOWE WI-FI HOME / ГОЛОВНА ПІДКЛЮЧЕННЯ ДО МЕРЕЖИ WI-FI / ДОМАШНЕ ПОДКЛЮЧЕНИЕ К СЕТИ WI-FI / 家庭用Wi-Fiネットワーク接続 / 홈 와이파이 네트워크 연결



- EN** Twinkly uses Bluetooth for the setup process only. Wi-Fi connection is required for operation. You can use:
Home Wi-Fi network connection (recommended): Connect with your home/office WiFi from the list of available networks.
- IT** Twinkly usa il Bluetooth solo per il processo di installazione. Per il funzionamento è necessaria la connessione Wi-Fi. Puoi usare:
Connessione a rete Wi-Fi domestica (consigliato): Connettiti al tuo WiFi di casa / ufficio dall'elenco delle reti disponibili.
- FR** Twinkly utilise Bluetooth pour le processus d'installation uniquement. Une connexion Wi-Fi est requise pour le fonctionnement. Vous pouvez utiliser:
Connexion réseau Wi-Fi domestique (conseillé): Connectez-vous avec le WiFi de votre domicile / bureau à partir de la liste des réseaux disponibles.
- DE** Twinkly verwendet Bluetooth nur für den Einrichtungsvorgang. Für den Betrieb ist eine WLAN-Verbindung erforderlich. Sie können verwenden:
Heim-Wi-Fi-Netzwerkverbindung (empfohlen): Stellen Sie über die Liste der verfügbaren Netzwerke eine Verbindung zu Ihrem Heim- / Büro-WLAN her.
- NL** Twinkly gebruikt Bluetooth alleen voor het installatieproces. Wi-Fi-verbinding is vereist voor gebruik. Je kunt gebruiken:
Thuis Wi-Fi-netwerkverbinding (aanbevolen): Maak verbinding met uw thuis- / kantoor-wifi uit de lijst met beschikbare netwerken.
- ES** Twinkly usa Bluetooth solo para el proceso de configuración. Se requiere conexión Wi-Fi para su funcionamiento. Puedes usar:
Conexión de red Wi-Fi doméstica (recomendado): Conéctese con el WiFi de su hogar / oficina de la lista de redes disponibles.
- PT** Twinkly utiliza o Bluetooth apenas para o processo de configuração. A ligação Wi-Fi é necessária para o funcionamento. Pode utilizar:
Ligação à rede Wi-Fi doméstica (recomendado): Ligue-se à sua rede WiFi de casa/escritório a partir da lista de redes disponíveis.
- DA** Twinkly bruger kun Bluetooth til installationsprocessen. Wi-Fi-forbindelse er påkrævet for drift. Du kan bruge:
Wi-Fi-netværksforbindelse (anbefales): Opret forbindelse til dit WiFi i hjemmet/på kontoret fra listen over tilgængelige netværk.
- FI** Twinkly käyttää Bluetoothia vain asennusprosessissa. Sovelluksen toiminta vaatii Wi-Fi-yhteyden. Voit käyttää seuraavaa:
Wi-Fi-kotiverkkoyhteys (suositus): Yhdistä kotsi tai toimistosi Wi-Fi-verkkoon käytettävissä olevien verkkojen luettelon kautta.
- SV** Twinkly använder endast Bluetooth vid installationen. Resten av funktionerna kräver Wi-Fi-anslutning. Du kan använda:
En Wi-Fi-anslutning i hemmet (rekommenderas): Anslut till ditt privata nätverk eller företagsnätverk i listan med tillgängliga nätverk.
- NO** Twinkly bruker kun Bluetooth for oppsettprosessen. Wi-Fi-tilkobling er nødvendig for drift. Du kan bruke:
Hjemmenettverk med Wi-Fi-tilkobling (anbefalt): Koble til ditt hjemme-/kontor-WiFi fra listen over tilgjengelige netverk.
- IS** Twinkly notar Bluetooth einungis fyrir uppsetningarfærlið. Wi-Fi tenging er nauðsynleg til að nota forritið. Þú getur notað:
Wi-Fi tengingu heimilins (ráðlagt) Tengdu við WiFi heimilins/vinnustaðar frá listanum yfir fánlegar tengingar.
- SL** Aplikacija Twinkly uporablja povezavo Bluetooth samo za postopek nastavitve. Za uporabo aplikacije potrebujete povezavo Wi-Fi. Uporabite lahko:
Domáčo omežno povezavo Wi-Fi (priporočljivo): Vzpostavite povezavo z razpoložljivim domačim/službenim omrežjem Wi-Fi na seznamu.
- SK** Twinkly používa Bluetooth iba na proces nastavenia. Na prevádzku je vyžadovaná pripojenie Wi-Fi. Môžete použiť:
Domáce pripojenie k sieti Wi-Fi (odporúčanie): Pripojte sa k domácej/kancelárskej sieti WiFi zo zoznamu dostupných sietí.
- CS** Twinkly používá Bluetooth pouze pro proces instalace. Pro provoz je vyžadováno připojení Wi-Fi. Můžete použít:
Připojení k domácí Wi-Fi síti (doporučeno): Připojte se k domácí / kancelářské WiFi ze seznamu dostupných sítí.
- HU** A Twinkly a Bluetooth-ot csak a telepítési folyamathoz használja. A működéséhez Wi-Fi kapcsolat szükséges. A koverkézéshez használhatja:
Otthoni Wi-Fi hálózati kapcsolatot (ajánlott): Csatlakozzon otthoni/irodai Wi-Fi-jéhez az elérhető hálózatok listájáról.
- RO** Twinkly folosește Bluetooth numai pentru procesul de configurare. Este necesară o conexiune Wi-Fi pentru funcționare. Pți să folosești:
Conexiune la rețeaua Wi-Fi de acasă (recomandat): Conectați-te cu WiFi de acasă/la birou din lista de rețele disponibile.
- BG** Twinkly използва Bluetooth само за процеса на настройка. За работа е необходима Wi-Fi връзка. Можете да използвате:
Връзка с домашна Wi-Fi мрежа (препоръчително): Съвчете се с домашната/офисната си Wi-Fi мрежа от списъка с налични мрежи.
- HR** Twinkly koristi Bluetooth samo za postupak postavljanja. Za rad je potrebna Wi-Fi veza. Možete koristiti:
Kućna Wi-Fi mrežna veza (preporučeno): Povežite se s kućnim/uredskim WiFi-jem s popisa dostupnih mreža.
- GR** Το Twinkly χρησιμοποιεί Bluetooth μόνο για τη διαδικασία εγκατάστασης. Για τη λειτουργία απαιτείται σύνδεση Wi-Fi. Μπορείτε να χρησιμοποιήσετε:
Σύνδεση οικιακού δικτύου Wi-Fi (συμβουλεύεται): Συνδέστε με το WiFi του σπιτιού/υπαρφέως σας από τη λίστα των διαθέσιμων δικτύων.
- TR** Twinkly yalnızca kurulum işlemi için Bluetooth kullanır. Çalışma için Wi-Fi bağlantısı gereklidir. Kullanabilirsiniz:
Ev Wi-Fi ağ bağlantısı (önerilir): Mevcut ağlar listesinden eneri WiFi ağınıza bağlanın.
- PL** Twinkly korzysta z Bluetooth wyłącznie w celu konfiguracji. Do funkcjonowania wymagane jest połączenie Wi-Fi. Możliwe jest użycie:
Połączenia z domową siecią Wi-Fi (zalecane): Połącz się z siecią Wi-Fi z listy sietci dostępnych w domu / biurze.
- UA** Twinkly використовує Bluetooth лише для налаштування. Для роботи необхідне підключення до Wi-Fi. Ви можете використувати:
Підключення до домашньої мережі Wi-Fi (рекомендується): Підключіться до мережі Wi-Fi вдома або на роботі, знайшовши її в списку доступних...
- RU** Twinkly использует Bluetooth только для процесса установки. Для работы требуется подключение к Wi-Fi. Вы можете использовать:
Подключение к домашней сети Wi-Fi (рекомендуется): Подключитесь к домашнему / офисному Wi-Fi и
- JP** Twinklyは、セットアップ処理にのみBluetoothを使用します。操作にはWi-Fi接続が必要です。使用することができます。
自宅のWi-Fiネットワーク接続 (推奨)
利用可能なネットワークの一覧から、自宅/オフィスのWiFiで接続します。
- KR** 트윙클리는 설정 과정에서만 블루투스 사용합니다. 작동하려면 Wi-Fi 연결이 필요합니다. 사용할 수 있습니다:
홈 Wi-Fi 네트워크 연결(권장)
사용 가능한 네트워크 목록에서 집/사무실 Wi-Fi에 연결합니다.

B. Direct wi-fi connection

CONNESSIONE WI-FI DIRETTA / CONNEXION WI-FI DIRECT / DIREKTE WLAN-VERBINDUNG / CONEXIÓN WI-FI DIRECTA / LIGAÇÃO WI-FI DIRECTA / DIRECTE WI-FI-VERBINDUNG / DIREKTE WI-FI-FORBINDELSE / DIREKT WI-FI-ANSLUTNING / DIREKTE WI-FI-TILKØBLING / BEIN WI-FI TENGING / NEPOSREDNA POVEZAVA Z OZMREŽEM WI-FI / PRIAME WI-FI PRÍPOJENIE / PŘÍME WI-FI PŘÍPOJENÍ / KOZVETLEN WI-FI KAPCSOLAT / CONEXIUNE WI-FI DIRECTĂ / ДИРЕКТНА ВИ-ФИ ВРЪЗКА / IZRAVNA WI-FI VEZA / BEZPOŠREDNIE POŁĄCZENIE WI-FI / ПРЯМЕ ПІДКЛЮЧЕННЯ ДО МЕРЕЖИ WI-FI / ПРЯМОЕ ПОДКЛЮЧЕНИЕ WI-FI / WI-FIダイレクト接続 / 직접 Wi-Fi 연결



EN Wi-Fi connection is required for operation. You can use: **Direct Wi-Fi connection:** Select "Twinkly_XXXXXX" WiFi from the list of available networks. Password: **Twinkly2019** (NOTE: the internet on your phone will not be available in this case)

IT Per il funzionamento è necessaria la connessione Wi-Fi. Puoi usare: **Connessione Wi-Fi diretta:** Seleziona "Twinkly_XXXXXX" WiFi dall'elenco delle reti disponibili. Password: **Twinkly2019** (NOTA: in questo caso sul tuo telefono non sarà disponibile Internet)

FR Une connexion Wi-Fi est requise pour le fonctionnement. Vous pouvez utiliser: **Connexion Wi-Fi directe:** Sélectionnez « Twinkly_XXXXXX » WiFi dans la liste des réseaux disponibles. Mot de passe: **Twinkly2019** (NOTE: Internet sur votre téléphone ne sera pas disponible dans ce cas)

DE Für den Betrieb ist eine WLAN-Verbindung erforderlich. Sie können verwenden: **Direkte Wi-Fi-Verbindung:** Wählen Sie „Twinkly_XXXXXX“ WiFi aus der Liste der verfügbaren Netzwerke. Passwort: **Twinkly2019** (HINWEIS: In diesem Fall ist das Internet auf Ihrem Telefon nicht verfügbar.)

NL Wi-Fi-verbinding is vereist voor gebruik. Je kunt gebruiken: **Directe wifi-verbinding:** Selecteer "Twinkly_XXXXXX" WiFi in de lijst met beschikbare netwerken. Wachtwoord: **Twinkly2019** (OPMERKING: het internet op uw telefoon is in dit geval niet beschikbaar)

ES Se requiere conexión Wi-Fi para su funcionamiento. Puedes usar: **Conexión wifi directa:** Seleccione "Twinkly_XXXXXX" WiFi de la lista de redes disponibles. Contraseña: **Twinkly2019** (NOTA: Internet en su teléfono no estará disponible en este caso)

PT A ligação Wi-Fi é necessária para o funcionamento. Pode utilizar: **Ligação Wi-Fi directa:** Seleccionar "Twinkly_XXXXXX". WiFi a partir da lista de redes disponíveis. Palavra-passe: **Twinkly2019** (NOTA: a Internet no seu telefone não estará disponível neste caso)

DA Wi-Fi-forbindelse er påkrævet for drift. Du kan bruge: **Direkte Wi-Fi-forbindelse:** Vælg "Twinkly_XXXXXX" WiFi fra listen over tilgængelige netværk. Adgangskode: **Twinkly2019** (BEMÆRK: Internettet på din telefon vil ikke være tilgængeligt i dette tilfælde)

FI Sovelluksen toiminta vaatii Wi-Fi-yhteyden. Voit käyttää seuraavia: **Suora Wi-Fi-yhteys:** Valitse "Twinkly_XXXXXX" Wi-Fi-yhteys käytettävissä olevien verkkojen luettelosta. Salasanat: **Twinkly2019** (HUOMAA: puhelimesi internet ei ole tässä tapauksessa käytettävissä)

SV Resten av funktionerna kräver Wi-Fi-anslutning. Du kan använda:

Direkt Wi-Fi-anslutning: Välj "Twinkly_XXXXXX" i listan över tillgängliga Wi-Fi-nätverk. Lösenordet är: **Twinkly2019** (OBS: i så fall är internetuppkopplingen på din telefon inte tillgänglig)

NO Wi-Fi-tilkobling er nødvendig for drift. Du kan bruke: **Direkte Wi-Fi-tilkobling:** Velg "Twinkly_XXXXXX" WiFi fra listen over tilgjengelige nettkverk. Passord: **Twinkly2019** (MERK: Internett på telefonen din vil ikke være tilgjengelig i dette tilfellet)

IS Wi-Fi-tilkobling er nauðsynleg til að nota forritið. Þú getur notað: **Beina Wi-Fi tenging:** Veldu „Twinkly_XXXXXX“ WiFi frá listanum yfir fánalegar tengingar. Aðgangsorð: **Twinkly2019** (ATH.: netið í símanum þínum er ekki fánalegt í þessu tilfalli)

SL Za uporabo aplikacije potrebujete povezavo Wi-Fi. Uporabite lahko: **Neposredno povezavo Wi-Fi:** Na seznamu razpoložljivih omrežij Wi-Fi izberite »Twinkly_XXXXXX«. Geslo: **Twinkly2019** (OPOMBA: V tem primeru internet v telefonu ne bo na voljo)

SK Na prevádzku je potrebné pripojenie Wi-Fi. Môžete použiť: **Priame pripojenie Wi-Fi:** z zoznamu dostupných sietí vyberte možnosť „Twinkly_XXXXXX“ WiFi. Heslo: **Twinkly2019** (POZNÁMKA: V tomto prípade nebude internet vo vašom telefóne k dispozícii.)

CS Pro provoz je vyžadováno připojení Wi-Fi. Můžete použít: **Přímé připojení Wi-Fi:** Ze seznamu dostupných sítí vyberte „Twinkly_XXXXXX“ WiFi. Heslo: **Twinkly2019** (POZNÁMKA: V tomto případě nebude internet ve vašem telefonu k dispozici)

HU A működéshez Wi-Fi kápcsolat szükséges. A következőket használhatja: **Közvetlen Wi-Fi kápcsolat:** Válassza ki a „Twinkly_XXXXXX“ WiFi lehetőséget az elérhető hálózatok listájából. Jelszó: **Twinkly2019**. (MEGJEGYZÉS: ebben az esetben a telefonján az internet nem lesz elérhető.)

RO Este necesară o conexiune Wi-Fi pentru funcționare. Puteți să folosiți:

Conexiune Wi-Fi directă: Selectează „Twinkly_XXXXXX“ WiFi a partir da lista de rețele disponibile. Parolă: **Twinkly2019** (NOTĂ: Internetul de pe telefonul tău nu va fi disponibil în acest caz)

BG За работа е необходима Wi-Fi връзка. Можете да използвате: **Директна Wi-Fi връзка:** Изберете "Twinkly_XXXXXX". Wi-Fi от списъка с наличните мрежи. Парола: **Twinkly2019** (ЗАБЕЛЕЖКА: в този случай интернетът на телефона ви няма да е достъпен)

HR Za rad je potrebna Wi-Fi veza. Možete koristiti: **Izravna Wi-Fi veza:** Na popisu dostupnih mreža odaberite WiFi "Twinkly_XXXXXX". Lozinka: **Twinkly2019** (NAPOMENA: internet na vašem telefonu u ovom slučaju neće biti dostupan)

GR Για τη λειτουργία απαιτείται σύνδεση Wi-Fi. Μπορείτε να χρησιμοποιήσετε: **Άμεση σύνδεση Wi-Fi:** Επιλογή "Twinkly_XXXXXX" WiFi από τη λίστα των διαθέσιμων δικτύων. Κωδικός πρόσβασης: **Twinkly2019** (ΣΗΜΕΙΩΣΗ: το διαδίκτυο στο τηλέφωνό σας δεν θα είναι διαθέσιμο σε αυτή την περίπτωση)

TR Çalışma için Wi-Fi bağlantısı gereklidir. Kullanabilirsiniz: **Doğrudan Wi-Fi bağlantısı:** "Twinkly_XXXXXX" ağesini seçin. Mercuru ağlar listesinden WiFi şifre: **Twinkly2019** (NOT: bu durumda telefonunuzdaki internet kullanılamazacaktır)

PL Do funkcjonowania wymagane jest połączenie Wi-Fi. Możesz jest użyć: **Bezpośredniego połączenia Wi-Fi:** Wybierz „Twinkly_XXXXXX” Wi-Fi z listy dostępnych sieci. Hasło: **Twinkly2019** (UWAGA: w tym przypadku w Twoim telefonie nie będzie dostępny internet)

UA Для роботи необхідне підключення до Wi-Fi. Ви можете використовувати: **Пряме підключення до Wi-Fi:** виберіть мережу Wi-Fi «Twinkly_XXXXXX» в списку доступних. Пароль: **Twinkly2019** (ПРИМІТКА. У цьому випадку на вашому телефоні не працюватиме підключення до Інтернету).

RU Для работы требуется подключение к Wi-Fi. Вы можете использовать: **Прямое подключение Wi-Fi:** Выберите «Twinkly_XXXXXX» WiFi из списка доступных сетей. Пароль: **Twinkly2019** (ПРИМЕЧАНИЕ: в этом случае Интернет на вашем телефоне будет недоступен)

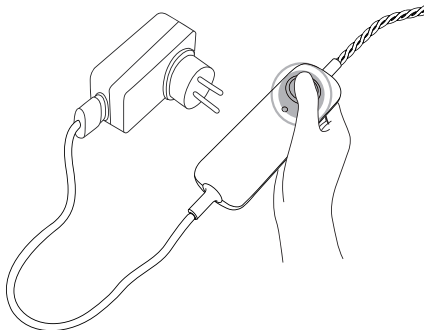
JP 操作にはWi-Fi接続が必要です。使用することができます。Wi-Fiで直接接続する。"Twinkly_XXXXX"を選択する。利用可能なネットワーク一覧からWiFiを選択します。パスワード: **Twinkly2019** (注: この場合、携帯電話のインターネットは利用できません。)

KR 작동하려면 Wi-Fi 연결이 필요합니다. 사용할 수 있습니다. Wi-Fi 직접 연결: "Twinkly_XXXXXX"를 선택하십시오. Wi-Fi를 선택합니다. 비밀번호: **Twinkly2019**(참고: 이 경우 휴대폰의 인터넷을 사용할 수 없습니다.)

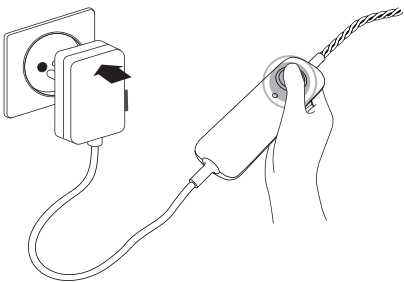
reset twinkly

RESET TWINKLY / RIPRISTINARE T WINKLY / RÉINITIALISER TWINKLY / TWINKLY ZURÜCKSETZEN / TESTABLECER TWINKLY / REINICIALIZAR TWINKLY / TWINKLY RESETTEN / NOLLAÁ TWINKLY / NULSTIL TWINKLY / ÅTERSTÄLL TWINKLY / TILBAKESTILL TWINKLY / TWINKLY ENDURSTILT / PONASTAVITEV TWINKLY / RESEŤUJTE TWINKLY / RESEŤUJTE TWINKLY / ΕΠΑΝΑΦΟΡΑ TWINKLY / PARILTIYI SIFIRLA / A TWINKLY VISSZAÁLLÍTÁSA / RESETEAZÁ TWINKLY / НУДИРАНЕ НА TWINKLY / RESETRAJTE TWINKLY / ZRESETOWAĆ PRODUKT / SKIDANНЯ TWINKLY / СБРОС TWINKLY / リセットツインクリー / 반박반쪽 재설정

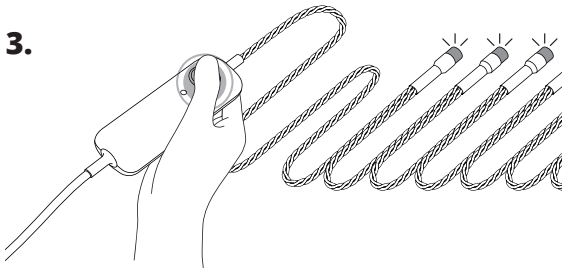
1.



2.



3.



- EN**
1. Unplug Twinkly from the power socket. Press and hold the controller button.
 2. While holding the button, plug in Twinkly.
 3. Keep holding the button until all LEDs turn red (or amber for Gold Edition), then release the button.

- IT**
1. Stacca Twinkly dalla presa di corrente, premi e continua a mantenere premuto il bottone del controller.
 2. Mentre stai ancora premendo il bottone, collega nuovamente Twinkly alla corrente.
 3. Continua a tenere premuto il pulsante fino a quando tutti i LED diventano rossi (o gialli per Gold Edition), quindi rilascia il pulsante.

- FR**
1. Débranchez Twinkly puis appuyez sur le bouton du contrôleur et gardez-le enfoncé.
 2. Tout en maintenant le bouton enfoncé, rebranchez Twinkly.
 3. Maintenez le bouton enfoncé jusqu'à ce que tous les voyants deviennent rouges (ou orange pour Gold Edition), puis relâchez le bouton.

- DE**
1. Ziehen Sie Twinkly aus der Steckdose und halten Sie die Controller-Taste gedrückt.
 2. Schließen Sie bei gehaltener Taste Twinkly wieder an das Stromnetz an.
 3. Halten Sie die Taste gedrückt, bis alle LEDs rot leuchten (oder gelb für Gold Edition), und lassen Sie dann die Taste los.

- NL**
1. Haal de stekker van Twinkly uit het stopcontact en houd de knop van de controller ingedrukt.
 2. Steek de stekker van Twinkly terug in het stopcontact, terwijl u de knop ingedrukt houdt.
 3. Blijf de knop ingedrukt houden totdat alle LED's rood worden (of oranje voor de Gold Edition) en laat de knop vervolgens los.

- ES**
1. Desenchufe Twinkly de la toma de corriente, presione y mantenga presionado el botón del controlador.
 2. Mientras todavía sigue presionando el botón, conecte de nuevo Twinkly a la corriente.
 3. Mantenga presionado el botón hasta que todos los LED se vuelvan rojos (o ámbar para Gold Edition), luego suelte el botón.

- PT**
1. Desligar Twinkly da tomada eléctrica. Manter premido o botão controlador.
 2. Enquanto mantém premido o botão, ligar Twinkly.
 3. Manter premido o botão até todos os LEDs ficarem vermelhos (ou âmbar para Gold Edition), depois soltar o botão.

- DA**
1. Træk Twinkly ud af stikkontakten. Tryk og hold kontrolknappen nede.
 2. Mens du holder knappen nede, skal du tilslutte Twinkly.
 3. Bliv ved med at holde knappen nede, indtil alle lysdioder lyser rødt (eller gult ved Gold Edition), og slip derefter knappen.

- FI**
1. Irrota Twinkly pistorasiasta. Paina säätimen painiketta pitkään.
 2. Pidä painiketta painettuna ja kytkte Twinkly pistorasiiaan.
 3. Pidä painiketta edelleen painettuna, kunnes kaikki LEDit muuttuvat punaisiksi (tai kullannruskeiksi Gold Edition -versioissa), ja vapauta sitten painike.

- SV**
1. Koppla ur Twinkly från eluttaget. Tryck på styrenhetsknappen och håll nedtryckt.
 2. Anslut Twinkly medan knappen är nedtryckt.
 3. Fortsätt hålla knappen nedtryckt tills alla LED-lampor lyser rött (eller gult i guldversionen) och släpp sedan knappen.

- NO**
1. Koble Twinkly fra stikkontakten. Trykk og hold inne kontrollknappen.
 2. Mens du holder inne knappen, kobler du til Twinkly.
 3. Fortsett å holde knappen inne til alle lysdioder blir røde (eller gul for Gold Edition), og slipp deretter knappen.

- IS**
1. Taktu Twinkly úr sambandi við rafmagn. Ýttu á og haltu niðri hnappinum á stýringunni.
 2. Settu Twinkly í samband á meðan þú heldur hnappinum niðri.
 3. Haltu hnappinum áfram niðri þar til öll LED ljósinn verða rauð (eða raufyl fyrir Gold Edition). Slepptu síðan hnappinum.

- SL**
1. Lučke Twinkly odklopite iz vtičnice. Pritisnite in pridržite gumb na upravljalniku.
 2. Medtem ko držite gumb, priklonite lučke Twinkly.
 3. Držite gumb, dokler vse lučke LED ne svetijo rdeče (oziroma oranžno pri različici Gold Edition), nato pa spustite gumb.

- SK**
1. Odpojte Twinkly zo sieťovej zásuvky. Stlačte a podržte ovládacie tlačidlo.
 2. Držte stlačené tlačidlo a zapojte Twinkly.
 3. Držte tlačidlo stlačené, kým všetky LED nesvietia načerveno (alebo žlté pre Gold Edition), potom tlačidlo pusťte.

- CS**
1. Odpojte Twinkly ze zásuvky. Stiskněte a podržte ovládací tlačítko.
 2. Přidržte tlačítko a zapojte Twinkly.
 3. Držte tlačítko stisknuté, dokud všechny LED diody nezčervenají (nebo se nezmění na jantarovou barvu ve verzi Gold Edition), poté tlačítko uvolněte.

- HU**
1. Húzza ki Twinkly csatlakozót a konnektorból. Nyomja le és tartsa nyomva a vezérlő gombot.
 2. Miközben lenyomva tartja a gombot, csatlakoztassa a Twinkly-t.
 3. Tartsa továbbra is lenyomva a gombot, amíg az összes LED pirosra nem vált (vagy a Gold Edition esetében borostyánsárga színre), majd engedje fel a gombot.

- RO**
1. Deconectează Twinkly de la priză. Apasă și menține apăsat butonul controlerului.
 2. În timp ce menții apăsat butonul, conectează Twinkly.
 3. Ține apăsat butonul până când toate LED-urile devin roșii (sau chihlimbar pentru Gold Edition), apoi dă drumul butonului.

- BG**
1. Изключете Twinkly от електрическия контакт. Натиснете и задръжте бутона на контролера.
 2. Докато държите бутона, включете Twinkly.
 3. Задръжете бутона, докато всички светодиоди станат червени (или кехлибарени за Gold Edition), след което отпуснете бутона.

- HR**
1. Isključite Twinkly iz utičnice. Pritisnite i držite gumb kontrolera.
 2. Dok držite gumb, uključite Twinkly.
 3. Držite gumb dok sve LED diode ne postanu crvene (ili jantarne za Gold Edition), a zatim otpustite gumb.

- GR**
1. Αποσυνδέστε το Twinkly από την πρίζα. Πατήστε και κρατήστε πατημένο το κουμπί του χειριστήριου.
 2. Ενώ κρατάτε πατημένο το κουμπί, συνδέστε το Twinkly στην πρίζα.
 3. Κρατήστε πατημένο το κουμπί μέχρι όλες οι λυχνίες LED να γίνουν κόκκινες (ή πορτοκαλί για την έκδοση Gold Edition) και, στη συνέχεια, αφήστε το κουμπί.

- TR**
1. Twinkly'nin fişini prizden çekin. Kumanda düğmesine basın ve basılı tutun.
 2. Düğmeyi basılı tutarken Twinkly'yi prize takın.
 3. Tüm LED'ler kırmızıya (veya Gold Edition için kehribar rengine) dönene kadar düğmeyi basılı tutun, ardından düğmeyi bırakın.

- PL**
1. Wyłącz Twinkly z gniazda elektrycznego. Naciśnij i przytrzymaj wciśnięty przycisk sterownika.
 2. Przytrzymując przycisk, podłącz ponownie Twinkly do prądu.
 3. Przytrzymaj wciśnięty przycisk, aż wszystkie DIODY zmienią kolor na czerwony (lub żółty w przypadku Gold Edition), a następnie zwolnij przycisk.

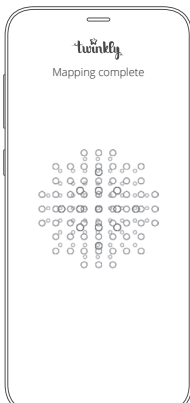
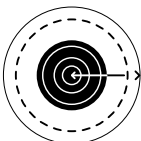
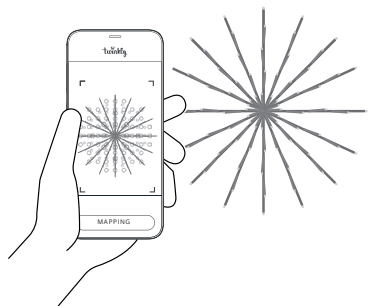
- UA**
1. Від'єднайте Twinkly від електромережі. Натисніть і утримуйте кнопку на контролері.
 2. Утримуючи кнопку натиснутою, підключіть Twinkly до електромережі.
 3. Продовжуйте утримувати цю кнопку, доки всі світлодіоди не запалюють червоним кольором (або бурштиновим, якщо у вас Gold Edition). Після цього відпустіть кнопку.

- RU**
1. Отключите Twinkly от розетки. Нажмите и удерживайте кнопку контроллера.
 2. Удерживая кнопку, вновь подключите Twinkly к сети.
 3. Удерживайте кнопку, пока все светодиоды не загорятся красным (или желтым для Gold Edition), затем отпустите кнопку.

- JP**
1. Twinklyを電源ソケットから抜く。コントローラーのボタンを押し続ける。
 2. ボタンを押したまま、Twinklyを接続します。
 3. すべてのLEDが赤色 (Gold Editionは琥珀色) になるまでボタンを押し続け、ボタンを離す。

- KR**
1. 전원 소켓에서 Twinkly의 플러그를 뽑습니다. 컨트롤러 버튼을 길게 누릅니다.
 2. 버튼을 누른 상태에서 Twinkly를 꽂습니다.
 3. 모든 LED가 빨간색(골드 에디션의 경우 호박색)으로 바뀔 때까지 버튼을 누르고 있다가 버튼을 놓습니다.

mapping



MAPPING / MAPPATURA / CARTOGRAPHIE / ZUORDNUNG / MAPEADO / CARTOGRAFIA / IN KAART BRENGEN / KARTOITUS / KORTLÆGNING / LAYOUT / KARTLEGGING / KORTLAGNING / PRESLIKAVA / MAPOVANJE / MAPOVANI / FELTÉRKEPÉZÉS / CARTOGRAFIERE / КАРТОГРАФИРАНЕ / KARTIRANJE / ХАРТОГРАФНЕН / HARITALAMA / MAPOWANIE / СКЛАДАННЯ КАРТ СВІТЛОДІОДІВ / ОПРЕДЕЛЕНИЕ ПОЛОЖЕНИЯ СВЕТОДИОДОВ / マッピング / 맵핑

- EN** Map the layout of your decoration to unlock the full potential of your Twinkly lights, such as advanced effects, drawing, and many upcoming features.
- IT** Mappa il layout della tua decorazione per sbloccare il pieno potenziale delle tue luci Twinkly con effetti avanzati, disegno e nuove funzionalità in arrivo.
- FR** Cartographiez la disposition de votre décoration pour libérer tout le potentiel de vos lumières Twinkly comme les effets avancés, le dessin et de nombreuses fonctionnalités à venir.
- DE** Ordnen Sie das Layout Ihrer Dekoration zu, um das volle Potenzial Ihrer Twinkly-Leuchten wie erweiterte Effekte, Zeichnen und viele weitere in Kürze verfügbaren Funktionen zu nutzen.
- NL** Breng de lay-out van je decoratie in kaart om alle mogelijkheden van je Twinkly-verlichting te benutten, zoals geavanceerde effecten, tekenen en tal van toekomstige functies.
- ES** Mapea el diseño de tu decoración para desbloquear todo el potencial de tus luces Twinkly, como los efectos avanzados, el dibujo y muchas otras funciones futuras.
- PT** Mapeie a disposição da sua decoração para desbloquear todo o potencial das suas luzes Twinkly, tais como efeitos avançados, desenho, e muitas características futuras.
- DA** Kortlæg layoutet af din dekoration for at få adgang til det fulde potentiale af dine Twinkly-lys, såsom avancerede effekter, tegning og mange kommende funktioner.
- FI** Kartoiota koristelusi asettelu ja koe Twinkly-valojen koko potentiaali, kuten edistyneet efektit, piirtäminen ja monet tulevat ominaisuudet.
- SV** Ange dekorationsens layout för att få ut så mycket som möjligt från dina Twinkly-lampor, till exempel avancerade effekter, ritningsfunktion och många kommande funktioner.
- NO** Kartlegg utformingen av dekorasjonen din for å få ut det fulle potensialet til Twinkly-lysene dine, som avanserte effekter, tegninger og mange kommende funksjoner.
- IS** Kortleggðu uppsetningu ljósaðskreytingarinnar til að ná yta til fulls alla möguleika Twinkly ljósaanna, til dæmis flóknar stillingar, teikningar og marga vantanlega eiginleika.
- SL** Preslikajte postavitev svoje dekoracije in izkoristite celoten potencial svojih lučk Twinkly, kot so napredni učinki, risanje in številne prihajajoče funkcije.
- SK** Zmapujte rozloženie vašej dekorácie, aby ste odomkli celý potenciál svojich svetiel Twinkly, ako sú pokročilé efekty, kreslenie a mnoho pripravovaných funkcií.
- CS** Zmapujte rozvržení dekorace a odhalte plný potenciál svých blikajících světel, jako jsou pokročilé efekty, kreslení a mnoho dalších plánovaných funkcí.
- HU** Térképezze fel a dekorációja elrendezését, hogy kihasználhassa a Twinkly lámpáiban rejlő teljes potenciált, például a különleges effektusokat, rajzokat és számos készülöben lévő funkciót.
- RO** Cartografați aspectul decorațiunii tale pentru a debloca întregul potențial al luminilor tale Twinkly, cum ar fi efecte avansate, desene și multe funcții viitoare.
- BG** Направете карта на оформлението на декорацията си, за да разкриете пълния потенциал на своите Twinkly светлини, като например усъвършенствани ефекти, рисуване и много предстоящи функции.
- HR** Mapirajte izgled svog ukrasa kako biste otključali puni potencijal svojih Twinkly svjetala, poput naprednih efekata, crteža i mnogih nadolazećih značajki.
- GR** Χαρτογραφήστε τη διάταξη της διακόσμησης σας για να ξεκλειδώσετε όλες τις δυνατότητες των Twinkly φώτων σας, όπως προηγμένα εφέ, σχεδίαση και πολλές επερχόμενες λειτουργίες.
- TR** Gelişmiş etkiler, çizim ve gelecek birçok özellik gibi Twinkly ışıklarınızın tüm potansiyelini ortaya çıkarmak için dekorasyonunuzu düzenli eşleştirin.
- PL** Zmapowanie układu dekoracji pozwala odblokować pełny potencjał światła Twinkly, np. zaawansowane efekty, rysowanie i wiele więcej nadchodzących funkcji.
- UA** Нанесіть свою декорацію на карту, щоб скористатися всіма можливостями вогнів Twinkly – розширеними ефектами, малюванням та іншими майбутніми функціями.
- RU** Определите положение гирлянды в пространстве, чтобы раскрыть весь потенциал Twinkly, например, получить доступ к сложным эффектам, рисованию собственных эффектов и множеству других возможностей.
- JP** デコレーションのレイアウトをマッピングして、高度なエフェクトや描画、今後搭載される多くの機能など、Twinklyライトの可能性を最大限に引き出します。
- KR** 장식의 레이아웃을 맵핑하여 고급 효과, 그림 그리기 및 향후 출시될 다양한 기능 등 트윙클 조명의 잠재력을 최대한 활용하세요.

RGB

TWB200STP-WEU	TWB200STP-WCH	TWB200STP-WUK	TWB200STP-WUS	TWB200STP-WAU
---------------	---------------	---------------	---------------	---------------



FR
Cet appareil et ses accessoires sont recyclables

À DÉPOSER EN MAGASIN  OU  À DÉPOSER EN DÉCHÈTERIE

Points de collecte sur www.quefairedemesdechets.fr



 help.twinkly.com

MORE INFO | ULTERIORI INFORMAZIONI | PLUS D'INFORMATIONS | MEHR INFO | MEER INFORMATIE | MÁS INFORMACIÓN | MAIS INFORMAÇÕES | FLERE
OPLYSNINGER | LISÄTIETOJA | MER INFORMATION | MER INFORMASJON | FREKARI UPPLÝSINGAR | VEČ INFORMACIJ | VIAC INFORMÁCIÍ | VÍCE INFORMACÍ
| TOVÁBBI INFORMÁCIÓK | MAI MULTE INFORMAȚII | ПОВЕЧЕ ИНФОРМАЦИЯ | VIŠE INFORMACIJA | ΠΕΡΙΣΣΟΤΕΡΕΣ ΠΛΗΡΟΦΟΡΙΕΣ | DAHA FAZLA BILGI |
WIĘCEJ INFORMACJI | ОДАТКОВІ ВІДОМОСТІ | ОПОЛНИТЕЛЬНЫЕ СВЕДЕНИЯ | 詳細 | 자세한 정보

FCC ID: 2AC7Z-ESP32WROOM32E