



dots

(USB VERSION)

INSTRUCTIONS GUIDE | GUIDA ALLE ISTRUZIONI | GUIDE D'INSTRUCTIONS | BETRIEBSANLEITUNG | GUÍA DE INSTRUCCIONES | GUIA DE INSTRUÇÕES | HANDLEIDING | INSTRUKTIONSVEJLEDNING | ΚΑΥΤΤΟΟΡΑΣ | INSTRUKTIONSVEJLEDNING | INSTRUKTIONSVEJLEDNING | LEIBBEININGAR | NAVODILA ZA UPORABO | NÁVOD NA POUŽITIE | NÁVOD K POUŽITÍ | KEZELÉSI UTASÍTÁS | GHID DE INSTRUCȚIUNI | РУКОВОДСТВО С ИНСТРУКЦИИ | VODIČ ZA UPUTE | ΟΔΗΓΟΣ ΟΔΗΓΙΩΝ | TALIMATLAR KILAVUZU | INSTRUKCJA OBSŁUGI | РУКОВОДСТВО ПО ЭКСПЛУАТАЦИИ | РУКОВОДСТВО ПО ЭКСПЛУАТАЦИИ | インストラクションガイド | 지침 안내 | 지침 안내

FOR INDOOR USE ONLY | SOLO PER USO INTERNO | POUR USAGE INTÉRIEUR UNIQUEMENT | NUR FÜR DEN INNENBEREICH | SOLO PARA USO EN INTERIORES | APENAS PARA UTILIZAÇÃO EM INTERIORES | ALLEEN VOOR GEBRUIK BINNENSHUIS | VAIN SISÄKÄYTTÖÖN | KUN TIL INNENDØRS BRUG | ENDAST FÖR INOMHUSBRUK | KUN TIL INNENDØRS BRUK | EINGÖNGU TIL NOTA INNANHÚSS | SAMO ZA NOTRANJO UPORABO | LEN NA POUŽITIE V INTERIÉRI | POUZE PRO VNITŘNÍ POUŽITÍ | CSAK BELTÉRI HASZNÁLATRA | SAMO ZA UPOTREBA NA ZAKRITO | NUMAI PENTRU UZ INTERIOR | SAMO ZA UNUTARNJU UPOTREBU | ΜΟΝΟ ΓΙΑ ΧΡΗΣΗ ΣΕ ΕΣΩΤΕΡΙΚΟΥΣ ΧΩΡΟΥΣ | SADECE İÇ MEKANDA KULLANIM İÇİNDİR | WYŁĄCZNIE DO UŻYTKU WEWNĄTRZ POMIESZCZEŃ | ТІЛЬКИ ДЛЯ ВНУТРІШНЬОГО ВИКОРИСТАННЯ | ТОЛЬКО ДЛЯ ИСПОЛЬЗОВАНИЯ ВНУТРИ ПОМЕЩЕНИЙ | 屋内使用のみ | 실내 전용

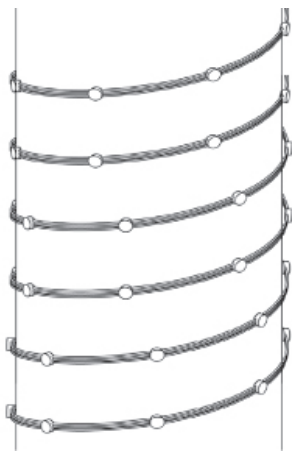
LEDWORKS S.R.L.
Via Tortona, 37 - 20144
Milano - Italy



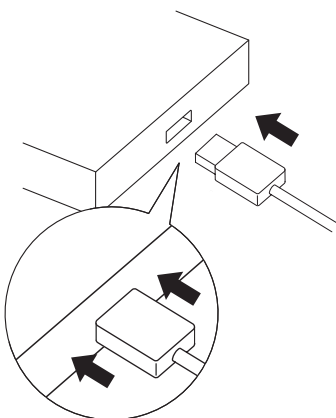
DOWNLOAD THE TWINKLY APP AND FOLLOW THE SETUP PROCESS IN THE APP | SCARICATE L'APP TWINKLY E SEGUITE LA PROCEDURA DI CONFIGURAZIONE NELL'APPLICAZIONE | TÉLÉCHARGEZ L'APPLICATION TWINKLY ET SUIVEZ LE PROCESSUS D'INSTALLATION DANS L'APPLICATION. | LADEN SIE DIE TWINKLY-APP HERUNTER UND FOLGEN SIE DEM EINRICHTUNGSPROZESS IN DER APP | DESCARGA LA APLICACIÓN TWINKLY Y SIGUE EL PROCESO DE CONFIGURACIÓN DE LA APLICACIÓN | DESCARREGAR A APLICAÇÃO TWINKLY E SEGUIR O PROCESSO DE CONFIGURAÇÃO NA APLICAÇÃO | DOWNLOAD DE TWINKLY APP EN VOLG HET INSTALLATIEPROCES IN DE APP | DOWNLOAD TWINKLY-APPEN, OG FØLG OPSÆTNINGSPROCESSEN I APPEN | LATAA TWINKLY-SOVELLUS JA NOUDATA SOVELLUKSEN ASENNUSPROSESSIA | LADDA NER TWINKLY-APPEN OCH FÖLJ INSTALLATIONSPROCESSEN I APPEN | LAST NED TWINKLY-APPEN OG FØLG INSTALLASJONSPROCESSEN I APPEN | SÆKTU TWINKLY APPID OG FYLGDU UPPSETNINGARFERLINU Í APPINU | PRENĚSITE APLIKACIJO TWINKLY IN SLEDITE POSTOPKU NAMEŠTITVE V APLIKACIJI | STIAHNITE SI APLIKÁCIU TWINKLY A POSTUPUJTE PODLA POSTUPU NASTAVENIA V APLIKÁCIÍ | STÁHNĚTE SI APLIKACI TWINKLY A POSTUPUJTE PODLE POSTUPU NASTAVENÍ V APLIKACI | TÖLTSE LE A TWINKLY ALKALMAZÁST, ÉS KÖVESSE A BEÁLLÍTÁSI FOLYAMATOT AZ ALKALMAZÁSBAN | DESCÁRCATI APLICAȚIA TWINKLY ȘI URMAȚI PROCESUL DE CONFIGURARE DIN APLICAȚIE | ИЗТЕГЛЕТЕ ПРИЛОЖЕНИЕТО TWINKLY И СЛЕДВАЙТЕ ПРОЦЕСА НА НАСТРОЙКА В ПРИЛОЖЕНИЕТО | PREUZMIȚE TWINKLY APLIKACIJU I SLIJEDITE POSTUPAK POSTAVLJANJA U APLIKACIJI | КАТЕΒΑΣΤΕ ΤΗΝ ΕΦΑΡΜΟΓΗ ΤWINKLY ΚΑΙ ΑΚΟΛΟΥΘΗΣΤΕ ΤΗ ΔΙΑΔΙΚΑΣΙΑ ΕΓΚΑΤΑΣΤΑΣΗΣ ΣΤΗΝ ΕΦΑΡΜΟΓΗ | TWINKLY UYGULAMASINI İNDİRİN VE UYGULAMADAKI KURULUM SÜRECİNİ TAKİR EDİN | ROBIERZ APLIKACJĘ TWINKLY I POSTĘPIJ ZGODNIE Z PROCESEM KONFIGURACJI W APLIKACJI | ЗАВАНТАЖИТИ ДОДАТОК TWINKLY ТА СЛІДУВАТИ ПРОЦЕСУ НАЛАШТУВАННЯ В ДОДАТКУ | ЗАГРУЗИТЕ ПРИЛОЖЕНИЕ TWINKLY И СЛЕДУЙТЕ ПРОЦЕДУРЕ НАСТРОЙКИ В ПРИЛОЖЕНИИ | TWINKLY 앱을 다운로드하고, 앱 내의 설정업手順に従ってください. | 트윙클 앱을 다운로드하고 앱에서 설정 과정을 따르세요.

physical setup

1.

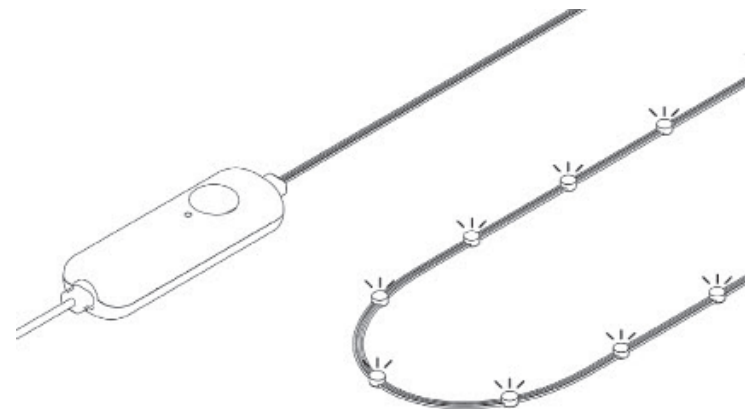
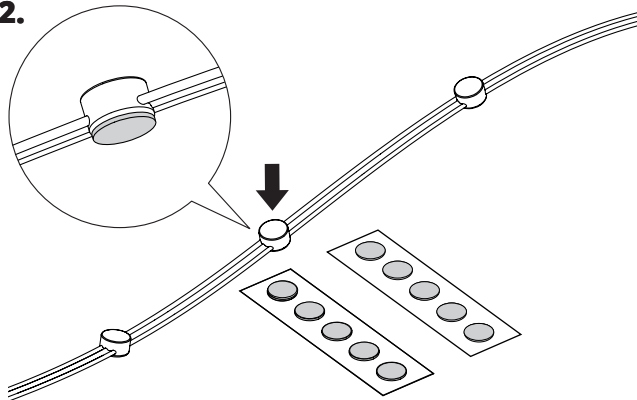


3.



PHYSICAL SET-UP / CONFIGURAZIONE FISICA / CONFIGURATION PHYSIQUE / PHYSISCHE EINRICHTUNG / FYSIEKE OPSTELLING / MONTAJE FÍSICO / CONFIGURAÇÃO FÍSICA / FYSISK OPSÆTNING / FYSISINEN KOKOONPANO / FYSISK UPPBYGGNAD / FYSISK OPPSETT / LIKAMLEG UPPSETNING / FIZIČNA POSTAVITEV / FYZICKÉ NASTAVENIE / FYZICKÉ NASTAVENÍ / FIZIKAI BEÁLLÍTÁS / CONFIGURATIE FIZICĂ / ФИЗИЧЕСКА НАСТРОЙКА / FIZIČKO POSTAVLJANJE / ФУЗИКН ЕКГАТАΣΤΑΣΗ / FIZIKSEL KURULUM / USTAWIENIE FIZYCZNE / ФІЗИЧНЕ НАЛАШТУВАННЯ / ФИЗИЧЕСКАЯ УСТАНОВКА / 물리 세팅 / 물리적 설정

2.



EN

- Decorate your interiors or spaces with Twinkly Dots. Use provided circular double adhesive sticker to position Twinkly Dots: you can place one sticker every four dots.
- Connect the Twinkly Dots, to the power adapter.
- Plug the power adapter into a power socket, and the lights will switch on.

IT

- Decora i tuoi interni o spazi con Twinkly Dots. Utilizzare l'adesivo doppio circolare fornito per posizionare un adesivo ogni quattro punti.
- Collega l'alimentatore a una presa di corrente e le luci si accenderanno.

FR

- Décorez vos intérieurs ou vos espaces avec Twinkly Dots. Utilisez le double autocollant circulaire fourni pour positionner Twinkly Dots: vous pouvez placer un autocollant tous les quatre points.
- Connectez le Twinkly Dots à l'adaptateur secteur.
- Branchez l'adaptateur secteur dans une prise de courant et les lumières s'allumeront.

DE

- Dekorieren Sie Ihre Innenräume oder Räume mit Twinkly Dots. Verwenden Sie dazu den mitgelieferten runden Doppelbeaufkleber. Positionieren Sie Twinkly Dots: Sie können alle vier Punkte einen Aufkleber platzieren.
- Schließen Sie den Twinkly Dots an das Netzteil an.
- Stecken Sie das Netzteil in eine Steckdose und das Licht wird eingeschaltet.

NL

- Versier je interieur of ruimtes met Twinkly Dots. Gebruik de meegeleverde ronde dubbele zelfklevende sticker om Twinkly Dots te positioneren: je kunt elke vier stippen één sticker plaatsen.
- Sluit de Twinkly Dots aan op de voedingsadapter.
- Steek de voedingsadapter in een stopcontact, de lampjes gaan aan.

ES

- Decora tus interiores o espacios con Twinkly Dots. Utilice la pegatina adhesiva circular doble proporcionada para colocar Twinkly Dots: puede colocar una pegatina cada cuatro puntos.
- Conecta el Twinkly Dots al adaptador de corriente.
- Conecta el adaptador de corriente a una toma de corriente y las luces se encenderán.

PT

- Decore os seus interiores ou espaços com Twinkly Dots. Utilize o autocolante circular de dupla face fornecido para colocar os pontos Twinkly: pode colocar um autocolante a cada quatro pontos.
- Ligue os Twinkly Dots ao adaptador de energia.
- Ligue o adaptador de corrente a uma tomada, e as luzes acender-se-ão.

DA

- Dekorér dit interiør eller rum med Twinkly Dots. Brug det medfølgende cirkulære dobbeltklebende klistermærke til at placere Twinkly Dots: Du kan placere et klistermærke for hver fjerde prik.
- Tilslut Twinkly Dots til strømadapteren.
- Sæt strømadapteren i en stikkontakt, og lysene tændes.

FI

- Koristele sisätilat tai tilat Twinkly Dotsilla. Käytä mukana toimitettua pyöreää kaksoisliimautuvaa tarraa Twinkly Dots -pisteiden sijoittamiseen: voit kiinnittää yhden tarran joka neljäs piste.
- Liitä Twinkly String virtasovittimeen.
- Kytke sovitin pistorasiaan. Valot syttyvät.

SV

- Dekorera dina interiörer eller utrymmen med Twinkly Dots. Använd medföljande cirkulär dubbelhäftande klistermärke för att placera Twinkly Dots: du kan placera ett klistermärke var fjärde prick.
- Anslut Twinkly Dots till strömadaptern.
- Anslut strömadaptern till eluttaget så att lamporna tänds.

NO

- Dekorér ditt interiør eller rom med Twinkly Dots. Bruk medfølgende sirkulær dobbeltklebende klistermerke for å plassere Twinkly Dots: du kan plassere ett klistermerke hver fjerde prik.
- Koble Twinkly Dots til strømadapteren.
- Koble strømadapteren inn i en stikkontakt, og lysene slås på.

IS

- Skreyttu innréttingar þínar eða rými með Twinkly Dots. Notaðu meðfylgjandi hringlaga tvöfalda límmíða til að staðsetja Twinkly Dots; þú getur sett einn límmíða á hverja fjórafurða punkta.
- Tengdu Twinkly Dots við straumbreytinn.
- Settu straumbreytinn í samband við innstungu og þá kviknar á ljósum.

SL

- Okrasite svojo notranjost ali prostore z Twinkly Dots. Za namestitve Twinkly Dots uporabite priloženo krožno dvojno samolepljivo nalepko: na vsake štiri pike lahko postavite eno nalepko.
- Priključite izdelek Twinkly Dots na napajanje.
- Priključite napajalnik v električno vtičnico in lučke se bodo prižgale.

SK

- Ozdobte svoje interiéry alebo priestory pomocou Twinkly Dots. Na umiestnenie blikajúcich bodiek použite dodanú kruhovú dvojito lepiacu nálepku: na každé štyri body môžete umiestniť jednu nálepku.
- Pripojte Twinkly Dots k napájaciemu adaptéru.
- Zapojte napájací adaptér do elektrickej zásuvky a svetlá sa rozsvietia.

CS

- Ozdobte své interiéry nebo prostory pomocí Twinkly Dots. Použijte dodanou kruhovou dvojito lepicí nálepku k umístění blikajících bodů: můžete umístit jednu nálepku na každé čtyři body.
- Připojte Twinkly Dots k napájecímu adaptéru.
- Zapojte napájecí adaptér do elektrické zásuvky a světla se rozsvítí.

HU

- Díszítsé belsőterét vagy tereit a Twinkly Dots segítségével. A Twinkly Dots elhelyezéséhez használja a mellékelt kör alakú dupla ontapadó matricát: négy pontonként egy matricát helyezhet el.
- Csatlakoztassa a Twinkly Dots-et a hálózati adapterhez.
- Dugja be a hálózati adaptert egy csatlakozóaljzatba, és a lámpák kigyuladnak.

RO

- Decorează-ți interioarele sau spațiile cu Twinkly Dots. Folosește autocollantul circular dublu adeziv pentru a poziționa punctele Twinkly: poți plasa un autocollant la fiecare patru puncte.
- Conectează Twinkly Dots la adaptorul de alimentare.
- Conectează adaptorul de alimentare la o priză și luminile se vor aprinde.

BG

- Украсете интериора или пространството си с Twinkly Dots. Използвайте двустранния кръгъл самозалепващ се стикер, за да разположите Twinkly Dots: можете да поставите по един стикер на всеки четири точки.
- Свържете Twinkly Dots към захранващия адаптер.
- Включете захранващия адаптер в електрически контакт и светлините ще се включат.

HR

- Ukrasite svoje interijere ili prostore Twinkly Dots. Koristite priloženu kružnu dvostruku lepljivu naljepnicu za pozicioniranje Twinkly Dotsa: možete postaviti jednu naljepnicu svake četiri točke.
- Povežite Twinkly Dots na adapter za napajanje.
- Priključite adapter za napajanje u utičnicu i svijetla će se uključiti.

GR

- Διακοσμήστε τους εσωτερικούς χώρους ή τους χώρους σας με Twinkly Dots. Χρησιμοποιήστε το κυκλικό αυτοκόλλητο διπλής όψης για να τοποθετήσετε τις Twinkly Dots: μπορείτε να τοποθετήσετε ένα αυτοκόλλητο ανά τέσσερις κοκκίδες.
- Συνδέστε τα Twinkly Dots στον προσαρμογέα ρεύματος.
- Συνδέστε τον προσαρμογέα ρεύματος σε μια πρίζα και τα φώτα θα ανάψουν.

TR

- İç mekanlarınızı veya alanlarınızı Twinkly Dots ile dekore edin. Pritilli Noktalar yerleştirmek için çift taraflı daireSEL yapışkanlı çakırtmayı kullanın: her dört noktaya bir çakırtma yerleştirebilirsiniz.
- Pritilli İleri güç adaptörüne bağlayın.
- Güç adaptörünü bir elektrik prizine takın ve ışıklar yanacaktır.

PL

- Udekoruj swoje wnętrza lub przestrzenie za pomocą Twinkly Dots. Użyj dostarczonej okrągłej podwójnej naklejki samoprzylepnej, aby umieszczyć Twinkly Dots: możesz umieścić jedną naklejkę co cztery kropki.
- Podłącz produkt do Twinkly Dots zasilacza.
- Podłącz zasilacz do gniazdka elektrycznego, światła zaświecą się.

UA

- Прикрасьте свій інтер'єр або простір за допомогою Twinkly Dots. Використовуйте круглу подвійну клеюку наклейку, щоб розмістити Twinkly Dots: ви можете розмістити одну клеюку через кожні чотири точки.
- Під'єднайте Twinkly Dots до адаптера живлення.
- Під'єднайте адаптер живлення до електромережі, і вогні ввімкнутья.

RU

- Украсьте свой интерьер или пространство с помощью Twinkly Dots. Используйте круглую двойную клеюкую наклейку для размещения Twinkly Dots: вы можете наклеивать одну наклейку на каждые четыре точки.
- Подключите Twinkly Dots к адаптеру питания.
- Подключите адаптер питания к розетке, чтобы включить гирлянд.

JP

- インテリアや空間をTwinkly Dotsで飾る。付属の円形の両面テープで、Twinkly Dotsを配置します: 4つのドットにつき1つのシールを配置できます。
- Twinkly Dotsを電源アダプターに接続します。
- 電源アダプターをコンセントに差し込むと、ライトが点灯します。

KR

- 트윙클리 도트로 인테리어 또는 공간 꾸미기. 제공된 원형 이중 접착 스티커를 사용하여 트윙클리 도트를 배치하세요: 4개의 도트마다 스티커를 하나씩 붙일 수 있습니다.
- 트윙클리 스트링을 전원 어댑터에 연결합니다.
- 전원 어댑터를 전원 콘센트에 꽂으면 조명이 켜집니다.

attention

EN Read and follow all safety instructions.

- READ AND FOLLOW ALL SAFETY INSTRUCTIONS.
- Do not mount or place near gas or electric heaters, fireplaces, candles, or other similar sources of heat.
- The external flexible cable or cord of this luminaire cannot be replaced; if the cord is damaged, the luminaire shall be destroyed. The light source of this luminaire is not replaceable; when the light source reaches its end of life the whole luminaire shall be replaced.
- This article is not suitable for room illumination and it is only for decoration purpose.
- Do not secure the wiring of the product with staples or nails, or place on sharp hooks or nails.
- Do not let lamps rest on the supply cord or on any wire.
- Unplug the product when leaving the house, or when retiring for the night, or if left unattended.
- This is an electric product — not a toy! To avoid the risk of fire, burns, personal injury, and electric shock it should not be played with or placed where small children can reach it.
- Do not use this product for other than its intended use.
 - Do not hang ornaments or other objects from the cord, wire, or light string.
- Do not connect the product with cloth, paper, or any material not part of the product when in use.
- Do not close doors or windows on the product or extension cords as this may damage the wire insulation.
- Read and follow all instructions that are on the product or provided with the product.
- SAVE THESE INSTRUCTIONS.
- Do not connect the chain to the supply while it is in the packing.
- Where breakage or damage to lamps occurs the chain must not be used/energised but disposed of safely.
- The lamps are not replaceable.
- WARNING – RISK OF ELECTRIC SHOCK IF LAMPS ARE BROKEN OR MISSING. DO NOT USE.

Use and care instructions

- When the product is placed on a live tree, the tree should be well maintained and fresh. Do not place on live trees in which the needles are brown or break off easily. Keep the live tree holder filled with water.
- If the product is placed on a tree, the tree should be well-secured and stable.
 - Before using or reusing, inspect the product carefully. Discard any products that have cut, damaged, or frayed wire insulation or cords, cracks in the lamp holders or enclosures, loose connections, or exposed copper wire.
- When storing the product, carefully remove the product from wherever it is placed, including trees, branches, or bushes, to avoid any undue strain or stress on the product conductors, connections, and wires.
- When not in use, store neatly in a cool, dry location protected from sunlight.

WARNING - To reduce the risk of fire and electric shock:

- Do not install on trees having needles, leaves or branch coverings of metal or materials which look like metal.
- Do not mount or support wires in a manner that can cut or damage wire insulation.

Class A Disclaimer: This equipment has been tested and found to comply with the limits for a Class A digital device, pursuant to Part 15 of the FCC Rules. These limits are designed to provide reasonable protection against harmful interference in a residential installation. This equipment generates, uses and can radiate radio frequency energy and, if not installed and used in accordance with the instructions, may cause harmful interference to radio communications. However, there is no guarantee that interference will not occur in a particular installation. If

ATTENTION / ATTENZIONE / ATTENTION / ACHTUNG / ATENCIÓN / ATENÇÃO / AANDACHT / HUOMIO / ВЕМ'ЯРК / OBS / MERK FØLGENDE / ATHUGID / POZOR / UPOZORNENIE / POZOR / FIGYELEM / ATENȚIE / ВНИМАНИЕ / PAŽNJA / ΠΡΟΣΟΧΗ / ΔΙΚΚΑΤ / ATENȚIE / UWAGA / УВАГА / ВНИМАНИЕ / 注意度 / 관심

this equipment does cause harmful interference to radio or television reception, which can be determined by turning the equipment off and on, the user is encouraged to try to correct the interference by one or more of the following measures:

- Reorient or relocate the receiving antenna.
- Increase the separation between the equipment and receiver.
- Connect the equipment into an outlet on a circuit different from that to which the receiver is connected.
- Consult the dealer or an experienced radio/television technician for help.

Compatibility Disclaimer

Wireless performance is dependent on your device's Bluetooth/WiFi wireless technology, please refer to your device's manufacturer. Ledworks SRL will not be liable for any lost of data or leakages resulting from the use of these devices.Consult the dealer or an experienced radio/television technician for help.

⚠ WARNING!

Do not connect the light string to the power supply while it is in the packaging. The connecting cable cannot be repaired or replaced. THE LAMPS ARE NOT REPLACEABLE. The lighting chain must not be used without all gaskets being in place. Lighting chains don't intend for interconnection. Do not connect this light string electrically to devices from another manufacturer. CAUTION! Strangulation hazard. Keep out of reach of young children.



The crossed-out wheeled bin symbol indicates that the item should be disposed of separately from household waste. The item should be handed in for recycling in accordance with local environmental regulations for waste disposal.

The manufacturer, Ledworks Srl, declares that this device complies with the (LVD) 2014/35/EU, (RED) 2014/53/EU, (EMC) 2014/30/EU, (RoHS) 2011/65/EU, (REACH) 1907/2006 directives. The full text of the EU declaration of conformity is available at the following Internet address: **www.twinkly.com/certifications**

System Requirement

The minimum system requirement for mobile phones are iOS 11 and Android 5 Check the app store for the latest update to ensure the best performance.

Premium grade LED diodes

To ensure high color rendering, Twinkly products only use high-quality LEDs. Twinkly's RGB and RGB+W products are produced according to quality principles and processes that allow us to obtain a high degree of primary color purity. The minimum excitation purity values of the Blue, Green and Red components are shown within the table below.

Bluetooth Licensing

The Bluetooth Bluetooth® word mark and logos are registered trademarks owned by Bluetooth SIG, Inc. and any use of such marks by Ledworks SRL is under license. Other trademakrs and trade names are those of their respective owners.

Operating RF for 802.11 b/g/n Wi-Fi / Bluetooth V4.2 BR/EDR/LE	Color Purity values
Frequency 2402/2480 Mhz	Blue > 90%
Max output Power <100mW	Green > 65%
	Red > 95%

* values apply only to RGB (STP) and RGBW (SPP) products, not AWW (GOP) products

IT Leggi e segui tutte le istruzioni di sicurezza.

- LEGGI E SEGUI TUTTE LE AVVERTENZE DI SICUREZZA.
- Non montare o collocare il prodotto vicino a riscaldatori a gas o elettrici, caminetti, candele o altre fonti di calore simili.
- Il cavo flessibile esterno di questo apparecchio non può essere sostituito; se il cavo è danneggiato, l'apparecchio deve essere distrutto. La sorgente luminosa di questo apparecchio non è sostituibile; quando la sorgente luminosa giunge a fine vita, l'intero apparecchio deve essere sostituito.
- Questo articolo non è adatto per l'illuminazione degli ambienti ed è solo a scopo decorativo.
- Non fissare il cablaggio del prodotto con graffette o chiodi, o collocarlo su ganci appuntiti o chiodi.
- Non lasciare che le lampadine poggino sul cavo di alimentazione o su qualsiasi filo.
- Scollega il prodotto quando esci di casa, quando vai a dormire o se lo lasci incustodito.
- Questo è un prodotto elettrico, non un giocattolo. Per evitare il rischio d'incendi, ustioni, lesioni personali e scosse elettriche deve essere maneggiato con cautela e collocato in un punto in cui i bambini piccoli non possano raggiungerlo.
- Non utilizzare questo prodotto per un uso diverso da quello previsto.
- Non appendere ornamenti o altri oggetti al cavo o al filo luminoso.
- Non coprire il prodotto con panni, carta o altro materiale che non fa parte del prodotto durante l'uso.
- Non chiudere porte o finestre sul prodotto o prolunghie poiché ciò potrebbe danneggiare l'isolamento dei cavi.
- Leggi e segui tutte le istruzioni indicate sul prodotto o fornite con il prodotto.
- CONSERVA QUESTE ISTRUZIONI.
- Non collegare il filo luminoso alla rete mentre è nella confezione.
- In caso di rottura o danneggiamento delle lampadine, il filo luminoso non deve essere utilizzato/alimentata ma smaltita in modo sicuro.
- Le lampadine non sono sostituibili.
- AVVERTENZA: SE LE LAMPADINE SONO ROTTE O MANCANTI, VI È RISCHIO DI SCOSSA ELETTRICA. NON USARE.

Istruzioni per l'uso e la cura

- Quando il prodotto è posto su un albero vivo, l'albero deve essere ben mantenuto e fresco. Non collocare su alberi vivi in cui gli aghi sono marroni o si spezzano facilmente. Tieni il porta-albero vivo pieno d'acqua.
- Se il prodotto viene posto su un albero, l'albero deve essere ben fissato e stabile.
- Prima dell'uso o del riutilizzo, ispeziona attentamente il prodotto. Elimina tutti i prodotti che hanno l'isolamento o i cavi tagliati, danneggiati o sfilacciati, crepe nei portalampade o negli involucri, le connessioni allentate o il filo di rame esposto.
- Durante la conservazione del prodotto, rimuovilo con cura da qualsiasi luogo in cui è collocato, compresi alberi, rami o cespugli, per evitare qualsiasi sforzo o sollecitazione eccessiva sui conduttori, sulle connessioni e sui fili del prodotto.
- Quando il prodotto non è in uso, conservalo con cura in un luogo fresco e asciutto, al riparo dalla luce solare.

ATTENZIONE - Per ridurre il rischio di incendio e scosse elettriche:

- Non installarlo su alberi con aghi, foglie o rami di metallo o materiali che assomigliano al metallo.
- Non montare o sostenere i fili in modo da tagliare o danneggiare il materiale isolante.

Dichiarazione di non responsabilità di classe A: questa apparecchiatura è stata testata e trovata conforme ai limiti per un dispositivo digitale di Classe A, in conformità alla Parte 15 delle Norme FCC. Questi limiti sono progettati per fornire una protezione ragionevole contro interferenze dannose in un'installazione residenziale. Questa apparecchiatura genera, utilizza e può irradiare energia in radiofrequenza e, se non installata e utilizzata secondo le istruzioni, può causare interferenze dannose alle comunicazioni radio. Tuttavia, non vi è alcuna garanzia che non si verifichino interferenze in una particolare installazione. Se questa apparecchiatura

causa interferenze dannose alla ricezione radio o televisiva, che possono essere determinate spegnendo e riaccendendo l'apparecchio, l'utente è incoraggiato a provare a correggere l'interferenza adottando una o più delle seguenti misure:

- Riorientare o riposizionare l'antenna ricevente.
- Aumentare la separazione tra l'apparecchiatura e il ricevitore.
- Collegare l'apparecchiatura a una presa su un circuito diverso da quello a cui è collegato il ricevitore.
- Consultare il rivenditore o un tecnico radiotelevisivo esperto per assistenza.

Esclusione di compatibilità

Le prestazioni wireless dipendono dalla tecnologia wireless Bluetooth/WiFi del dispositivo; consultare il produttore del dispositivo. Ledworks SRL non sarà responsabile di eventuali perdite di dati o dispersioni derivanti dall'uso di questi dispositivi.

⚠ ATTENZIONE!

Non collegare l'illuminazione alla corrente elettrica quando è ancora nella confezione. Il cavo di collegamento non può essere riparato o sostituito. LE LAMPADINE NON SONO SOSTITUIBILI. La catena di luci non può essere utilizzata senza tutte le guarnizioni presenti e intatte. Le catene di luci non possono essere fisicamente collegate tra loro. Non collegare elettricamente questa illuminazione a dispositivi di un altro produttore. ATTENZIONE! Pericolo di strangolamento. Tenere fuori dalla portata dei bambini.



Il simbolo del bidone della spazzatura barrato indica che l'articolo deve essere smaltito separatamente dai rifiuti domestici. L'articolo deve essere consegnato per il riciclaggio in conformità con le normative ambientali locali per lo smaltimento dei rifiuti.

Il fabbricante Ledworks srl dichiara che questo dispositivo è conforme alle direttive (LVD) 2014/35/EU, (RED) 2014/53/EU, (EMC) 2014/30/EU, (RoHS) 2011/65/EU. Il testo completo della dichiarazione di conformità UE è disponibile al seguente indirizzo Internet: **www.twinkly.com/certifications**

Requisito del sistema

I requisiti minimi di sistema per i telefoni cellulari sono iOS 11 e Android 5 Controlla l'app store per l'ultimo aggiornamento per garantire le migliori prestazioni..

Specifiche Tecniche

Alimentazione: vedi etichetta Il prodotto deve essere collegato a un'uscita di Classe 2, LPS, dell'alimentatore Protezione IP: IP20

Diodi LED di qualità premium

Per garantire un'elevata resa cromatica, i prodotti Twinkly utilizzano solo LED di alta qualità. I prodotti RGB e RGB+W di Twinkly sono realizzati secondo principi e processi di qualità che ci consentono di ottenere un alto grado di purezza dei colori primari.

I valori minimi di purezza di eccitazione dei componenti Blu, Verde e Rosso sono riportati nella tabella sottostante.

Licenze Bluetooth

Il marchio e i loghi Bluetooth® sono marchi registrati di proprietà di Bluetooth SIG, Inc. e qualsiasi uso di tali marchi da parte di Ledworks SRL è concesso in licenza. Altri marchi e nomi commerciali appartengono ai rispettivi proprietari.

RF operativo per 802.11 b/g/n Wi-Fi / Bluetooth V4.2 BR/EDR/LE	Valori di purezza del colore
Frequenza 2402/2480 Mhz	Blu > 90%
Potenza massima in uscita <100mW	Verde > 65%
	Rosso > 95%

* I valori si applicano solo ai prodotti RGB (STP) e RGBW (SPP), non ai prodotti AWW (GOP)

FR Lisez et suivez toutes les instructions de sécurité.

- LISEZ ET RESPECTEZ TOUTES LES CONSIGNES DE SÉCURITÉ.
- N'installez pas l'appareil à proximité d'appareils de chauffage au gaz ou électriques, de foyers, de bougies ou d'autres sources de chaleur similaires.
- Le câble flexible externe ou cordon de ce luminaire ne peut pas être remplacé ; si le cordon

est endommagé, le luminaire doit être détruit. La source lumineuse de ce luminaire n'est pas remplaçable ; lorsque la source lumineuse atteint sa fin de vie, le luminaire entier doit être remplacé.

4. Cet article ne convient pas à l'éclairage d'une pièce et n'a qu'un but décoratif.

5. Ne fixez pas les câbles du produit avec des agrafes ou des clous, et ne les placez pas sur des crochets ou des clous pointus.

6. Ne laissez pas les lampes reposer sur le cordon d'alimentation ou sur un fil électrique.

7. Débranchez l'appareil lorsque vous quittez la maison, avant d'aller vous coucher ou s'il est laissé sans surveillance.

8. Ce produit est un appareil électrique, pas un jouet ! Pour éviter les risques d'incendie, de brûlures, de blessures et d'électrocution, il ne doit pas être utilisé pour jouer ou être placé dans un endroit accessible aux jeunes enfants.

9. N'utilisez pas ce produit à d'autres fins que celles auxquelles il est destiné.

10. N'accrochez pas d'ornements ou d'autres objets sur le cordon, le fil électrique ou la guirlande lumineuse.

11. Ne couvrez pas le produit avec du tissu, du papier ou toute autre matière ne faisant pas partie du produit lorsqu'il est utilisé.

12. Ne fermez pas des portes ou des fenêtres sur le produit ou les rallonges électriques car cela pourrait endommager la gaine isolante du fil.

13. Lisez et respectez toutes les consignes indiquées sur le produit ou fournies avec celui-ci.

14. CONSERVEZ CES CONSIGNES.

15. Ne connectez pas la chaîne à l'alimentation lorsqu'elle est dans l'emballage.

16. En cas de bris ou d'endommagement des ampoules, la chaîne ne doit pas être utilisée/sous tension, mais éliminée en toute sécurité.

17. Les lampes ne sont pas remplaçables.

18. AVERTISSEMENT – RISQUE DE CHOC ÉLECTRIQUE SI LES LAMPES SONT CASSÉES OU MANQUANTES. NE PAS UTILISER.

Consignes d'utilisation et d'entretien

a. Lorsque le produit est placé sur un arbre vivant, l'arbre doit être bien entretenu et en bonne santé. Ne placez pas le produit sur les arbres vivants dont les aiguilles sont de couleur marron ou cassantes. Pensez à remplir d'eau le pot de l'arbre vivant.

b. Si le produit est placé sur un arbre, l'arbre doit être fixe et stable.

c. Avant d'utiliser ou de réutiliser le produit, inspectez-le soigneusement. Jetez tout produit dont les câbles ou les cordons ont une gaine isolante entaillée, endommagée ou effilochée, avec des fissures sur les douilles des lampes ou les boîtiers, des raccords desserrés ou du fil de cuivre apparent.

d. Lors du rangement du produit, retirez soigneusement le produit de l'endroit où il est placé, y compris les arbres, les branches ou les buissons, pour éviter toute déformation ou séparation des conducteurs, des branchements et des fils du produit.

e. Lorsqu'il n'est pas utilisé, rangez soigneusement le produit dans un endroit frais et sec, à l'abri de la lumière du soleil.

AVERTISSEMENT - Pour réduire le risque d'incendie et de choc électrique :

a. a. Ne l'installez pas sur des arbres dont les aiguilles, les feuilles ou les branches sont recouvertes de métal ou de matériaux ressemblant à du métal.

b. Ne montez pas ou ne soutenez pas les fils d'une manière qui pourrait couper ou endommager l'isolation des fils.

Clause de non-responsabilité de classe A: cet appareil a été testé et déclaré conforme aux limites imposées aux appareils numériques de classe A, conformément à la section 15 des normes FCC. Ces limites sont conçues pour fournir une protection raisonnable contre les interférences nuisibles dans une installation résidentielle. Cet appareil génère, utilise et peut émettre de l'énergie de fréquence radio et, s'il n'est pas installé et utilisé conformément aux instructions, il peut causer des interférences nuisibles aux communications radio. Cependant, rien ne garantit que des interférences ne se produiront pas dans une installation particulière.

Si cet appareil provoque des interférences nuisibles avec la réception de radio ou de télévision, qui peuvent se vérifier en éteignant et en rallumant l'appareil, l'utilisateur est invité à tenter de corriger l'interférence en appliquant l'une ou plusieurs des mesures suivantes:

- Réorientez ou déplacez l'antenne de réception.

- Augmentez la distance entre l'appareil et le récepteur.

- Branchez l'appareil sur une prise d'un circuit différent de celui auquel le récepteur est connecté.

- Consultez le revendeur ou un technicien expérimenté en radio/télévision pour obtenir de l'aide.

Clause de non-compatibilité

La performance sans fil dépend de la technologie sans fil Bluetooth/WiFi de votre appareil, veuillez vous référer au fabricant de votre appareil. Ledworks SRL ne sera pas responsable de toute perte de données ou de fuites résultant de l'utilisation de ces appareils.

⚠️ AVERTISSEMENT!

Ne connectez pas le prise au support dans le packaging. Le câble connecteur ne peut être remplacé ou réparé. Si le câble est abimé, l'appareil tout entier doit être remplacé. La chaîne d'éclairage ne doit pas être utilisée si tous les joints ne sont pas en place. Les chaînes d'éclairage ne sont pas destinées à être interconnectées.Bulbe non remplaçable. Ne connectez pas le produit à un produit d'un autre fabricant. Attention! Danger d'étranglement. Tenez hors de portée des enfants.



Le symbole de la poubelle barrée indique que l'article doit être éliminé séparément des ordures ménagères. L'article doit être déposé pour le recyclage conformément aux réglementations environnementales locales pour l'élimination des déchets.

Le fabricant, Ledworks Srl, déclare que cet appareil est conforme aux directives (LVD) 2014/35/EU, (RED) 2014/53/EU, (EMC) 2014/30/EU, (RoHS) 2011/65/EU. Le texte complet de la déclaration de conformité européenne est disponible à l'adresse Internet suivante: **www.twinkly.com/certifications**

Configuration requise

La configuration minimale requise pour les smartphones est iOS 11 et Android 5 Recherchez sur l'App Store la dernière mise à jour pour optimiser les performances...

Diodes LED de qualité supérieure

Pour assurer un rendu des couleurs élevé, les produits Twinkly n'utilisent que des LED de haute qualité.

Les produits RVB et RVB+W de Twinkly sont fabriqués selon des principes et des processus de qualité qui nous permettent d'obtenir un haut degré de pureté des couleurs primaires.

Les valeurs minimales de pureté d'excitation des composants bleu, vert et rouge sont indiquées dans le tableau ci-dessous.

Licences Bluetooth

La marque verbale et les logos Bluetooth® sont des marques déposées appartenant à Bluetooth SIG, Inc. et toute utilisation de ces marques par Ledworks SRL est sous licence. Les autres marques et noms commerciaux sont ceux de leurs propriétaires respectifs.

RF de fonct. pour le 802.11 b/g/n Wi-Fi / Bluetooth V4.2 BR/EDR/LE	Valeurs de pureté des couleurs
Fréquence 2402/2480 Mhz	Bleu > 90%
Puissance de sortie maximale <100mW	Vert > 65%
	Rouge > 95%

** Les valeurs s'appliquent uniquement aux produits RGB (STP) et RGBW (SPP), mais pas aux produits AWW (GOP)*

🇩🇪 Lesen und befolgen Sie alle Sicherheitshinweise.

1. LESEN UND BEFOLGEN SIE ALLE SICHERHEITSANWEISUNGEN.

2. Nicht in der Nähe von Gas- oder Elektroheizungen, Feuerstellen, Kerzen oder anderen ähnlichen Wärmequellen anbringen oder platzieren.

3. Das externe flexible Kabel dieser Leuchte kann nicht ersetzt werden; wenn das Kabel beschädigt ist, muss die Leuchte zerstört werden. Die Lichtquelle dieser Leuchte ist nicht austauschbar; wenn die Lichtquelle ihr Lebensende erreicht, muss die gesamte Leuchte ersetzt werden.

4. Dieser Artikel ist nicht zur Raumbeleuchtung geeignet und dient nur zu Dekorationszwecken. 5. Sichern Sie die Verkabelung des Produkts nicht mit Klammern oder Nägeln und bringen sie nie nicht auf spitzen Haken oder Nägeln an.

6. Legen Sie keine Lampen auf dem Stromkabel oder anderen Leitungsdrähten ab.

7. Ziehen Sie den Stecker des Produkts, wenn Sie das Haus verlassen, schlafen gehen oder das Produkt unbeaufsichtigt lassen.

8. Dies ist ein elektrisches Produkt – kein Spielzeug! Um die Gefahr von Bränden, Verbrennungen, Verletzungen und Stromschlägen zu vermeiden, darf das Produkt nicht zum Spielen verwendet oder in Reichweite kleiner Kinder platziert werden.

9. Verwenden Sie dieses Produkt ausschließlich für seinen bestimmungsgemäßen Gebrauch.

10. Hängen Sie keine Verzierung oder anderen Gegenstände an Kabel, Leitungsdraht oder Lichterschnur auf.

11. Bedecken Sie das Produkt während der Verwendung nicht mit Stoff, Papier oder anderen Materialien, die nicht Teil des Produkts sind.

12. Klemmen Sie weder das Produkt noch Verlängerungskabel in Türen oder Fenstern ein, da hierdurch die Kabelisolierung beschädigt werden kann.

13. Lesen und befolgen Sie alle Anweisungen, die sich auf dem Produkt befinden oder mit ihm bereitgestellt werden.

14. BEWAHREN SIE DIESE ANWEISUNGEN AUF.

15. Schließen Sie die Kette nicht an die Stromversorgung an, während sie sich in der Verpackung befindet.

16. Bei Brüchen oder Schäden an den Glühbirnen darf die Kette nicht verwendet / unter Spannung gesetzt werden, sondern muss sicher entsorgt werden.

17. Die Glühbirnen sind nicht austauschbar.

18. WARNUNG – GEFAHR EINES ELEKTRISCHEN SCHOCKS, WENN DIE GLÜHBIRNEN KAPUTT SIND ODER FEHLEN. NICHT VERWENDEN.

Nutzungs- und Pflegehinweise

a. Wird das Produkt auf einem lebenden Baum angebracht, muss der Baum gut gepflegt und frisch sein. Nicht auf lebenden Bäumen anbringen, deren Nadeln braun sind oder leicht abbrechen. Stellen Sie sicher, dass der Ständer des lebenden Baums stets mit Wasser gefüllt ist.

b. Wird das Produkt auf einem Baum angebracht, muss der Baum gut gesichert und stabil sein.

c. Untersuchen Sie das Produkt vor jeder Verwendung und Wiederverwendung sorgfältig. Entsorgen Sie Produkte, die eingeschnittene, beschädigte oder verschlissene Kabel oder Kabelisolierungen, Risse in Lampenhaltern oder Gehäusen, lockere Verbindungen oder freigelegten Kupferdraht aufweisen.

d. Nehmen Sie das Produkt zur Aufbewahrung vorsichtig von allen Befestigungsstellen wie Bäumen, Zweigen oder Büschen ab, um übermäßige Belastung oder Beanspruchung der Stromleiter, Verbindungen und Kabel des Produkts zu vermeiden.

e. Wenn das Produkt nicht verwendet wird, bewahren Sie es ordentlich an einem kühlen, trockenen und vor Sonnenlicht geschützten Ort auf.

ACHTUNG – Um die Gefahr von Bränden und Stromschlägen zu reduzieren,

a. nicht auf Bäumen anbringen, die über Nadeln, Blätter oder Zweigbeläge aus Metall oder Materialien, die wie Metall aussehen, verfügen.

b. Leitungsdrähte nicht derart anbringen oder stützen, dass die Kabelisolierung eingeschnitten oder beschädigt werden könnte.

Haftungsausschluss der Klasse A: Dieses Gerät wurde getestet und als konform zu den Grenzwerten für digitale Geräte der Klasse A gemäß Teil 15 der FCC-Bestimmungen befunden. Diese Grenzwerte bieten einen angemessenen Schutz gegen Funkstörungen in Wohninstallationen. Dieses Gerät erzeugt, verbraucht und kann Hochfrequenzenergie ausstrahlen. Falls es nicht gemäß den Anweisungen installiert und verwendet wird, kann es Störungen der Funkkommunikation verursachen. Es kann jedoch nicht garantiert werden, dass bei bestimmten Installationen keine Störungen auftreten. Wenn dieses Gerät Funkstörungen beim Radio- oder Fernsehempfang verursacht, was Sie durch Aus- und Einschalten des Geräts feststellen können, sollten Sie versuchen, diese Funkstörungen mit einer oder mehrerer der folgenden Maßnahmen zu beheben:

- Richten Sie die Empfangsantenne neu aus.

- Vergrößern Sie den Abstand zwischen Gerät und Empfänger.

- Schließen Sie das Gerät und den Empfänger an Steckdosen mit verschiedenem Stromkreis an.
- Wenden Sie sich an den Händler oder einen erfahrenen Radio- / Fernsehtechniker.

Haftungsausschluss für die Kompatibilität

Die drahtlose Leistung hängt von der Bluetooth/WiFi-Funktechnologie Ihres Geräts ab, bitte informieren Sie sich beim Hersteller Ihres Geräts. Ledworks SRL haftet nicht für Datenverluste oder Lecks, die durch die Verwendung dieser Geräte entstehen.

⚠️ ACHTUNG!

Schliessen Sie die Beleuchtung nicht an, solange sie noch in der Verpackung ist.Das Verbindungskabel kann nicht repariert oder ersetzt werden. Wenn das Kabel beschädigt ist muss die gesamte Beleuchtung beseitigt werden. DIE GLÜHBIRNE IST NICHT ERSETZBAR. Die Lichterkette darf nicht benutzt werden, wenn nicht alle Dichtungen angebracht sind. Lichterketten sind nicht als Verbindungsstücke gedacht. Verbinden Sie diese Beleuchtung nicht mit anderen Geräten eines anderen Herstellers. ACHTUNG! Gefahr vor Erdrosselung. Hängen Sie sie ausserhalb der Reichweite von Kindern auf.



Das Symbol der durchgestrichener Mülltonne weist darauf hin, dass das Produkt nicht mit dem normalen Hausmüll entsorgt werden darf. Das Produkt muss gemäß den örtlichen Abfallbestimmungen entsorgt werden.

Der Hersteller, Ledworks Srl, erklärt, dass dieses Gerät den Richtlinien (LVD) 2014/35/EU, (RED) 2014/53/EU, (EMC) 2014/30/EU, (RoHS) 2011/65/EU entspricht. Der vollständige Text der EU-Konformitätserklärung steht unter der folgenden Internetadresse **www.twinkly.com/certifications**

System Anforderungen

Die minimalen Systemvoraussetzungen für Mobiltelefone sind iOS 11 oder Android 5 Suchen Sie im App Store nach dem neuesten Update, um die beste Leistung sicherzustellen.

Premium-LED-Dioden

Um eine hohe Farbwiedergabe zu gewährleisten, verwenden Twinkly-Produkte ausschließlich hochwertige LEDs.

Die RGB- und RGB+W-Produkte von Twinkly werden nach Qualitätsprinzipien und -prozessen hergestellt, die es uns ermöglichen, einen hohen Reinheitsgrad der Primärfarben zu erzielen. Die minimalen Erregungsreinheitswerte der blauen, grünen und roten Komponenten sind in der folgenden Tabelle aufgeführt.

Bluetooth-Lizenzierung

Die Bluetooth®-Wortmarke und -Logos sind eingetragene Marken im Besitz von Bluetooth SIG, Inc. und werden von Ledworks SRL unter Lizenz verwendet. Andere Marken und Handelsnamen sind Eigentum ihrer jeweiligen Inhaber.

Betriebsfunk für 802.11 b/g/n Wi-Fi / Bluetooth V4.2 BR/EDR/LE	Farbreinheitswerte
Frequenz 2402/2480 Mhz	Blau > 90%
Maximale Ausgangsleistung <100mW	Grün > 65%
	Rot > 95%

** Die Werte gelten nur für RGB(STP)- und RGBW(SPP)-Produkte, nicht für AWW(GOP)-Produkte*

NL Lees en volg alle veiligheidsinstructies op.

- LEES EN VOLG ALLE VEILIGHEID INSTRUCTIES.
- Niet monteren of plaatsen in de buurt van gas- of elektrische kachels, open haarden, kaarsen of andere soortgelijke warmtebronnen.
- De externe flexibele kabel of het snoer van deze armatuur kan niet worden vervangen; als het snoer beschadigd is, moet de armatuur worden vernietigd. De lichtbron van deze armatuur is niet vervangbaar; wanneer de lichtbron het einde van zijn levensduur bereikt, moet de gehele armatuur worden vervangen.
- Dit artikel is niet geschikt voor kamerverlichting en dient alleen voor decoratie.
- Zet de bedrading van het product niet vast met nietjes of spijkers of plaats deze niet op scherpe haken of spijkers.
- Laat lampen niet op het netsnoer of op een draad rusten.
- Haal de stekker uit het stopcontact wanneer u het huis verlaat, wanneer u gaat slapen, of als u er niet bij bent.
- Dit is een elektrisch product - geen speelgoed! Om het risico op brand, brandwonden, persoonlijk letsel en elektrische schokken te voorkomen, mag er niet mee worden gespeeld en mag het niet geplaatst worden waar kleine kinderen erbij kunnen.
- Gebruik dit product niet voor andere doeleinden dan waarvoor het is bedoeld.
- Hang geen versieringen of andere voorwerpen op aan een koord, draad of lichtsnoer.
- Bedenk het product niet tijdens gebruik met een doek, papier of ander materiaal dat geen deel uitmaakt van het product.
- Sluit geen deuren of ramen op het product of de verlengsnoeren, omdat dit de isolatie van het draad kan beschadigen.
- Lees en volg alle instructies op het product of die bij het product zijn geleverd.
- BEWAAR DEZE INSTRUCTIES.
- Sluit de slinger niet aan op de voeding terwijl deze in de verpakking zit.
- Bij breuk of beschadiging van lampen mag de slinger niet worden gebruikt/onder spanning worden gezet, maar moet deze op een veilige manier worden weggegooid.
- De lampen zijn niet vervangbaar.
- WAARSCHUWING – RISICO OP ELEKTRISCHE SCHOK ALS LAMPEN KAPOT ZIJN OF ONTBREKEN. NIET GEBRUIKEN.

Gebruiks- en onderhoudsinstructies

- Wanneer het product op een levende boom wordt geplaatst, moet de boom goed worden onderhouden. Plaats niet op levende bomen waarin de naalden bruin zijn of gemakkelijk afbreken. Houd de levende boomhouder gevuld met water.
- Als het product op een boom wordt geplaatst, moet de boom goed stevig staan en stabiel zijn.
- Inspecteer het product zorgvuldig voordat u het gebruikt of opnieuw gebruikt. Gooi producten met gesneden, beschadigde of gerafelde draadisolatie of snoeren, scheuren in de lamphouders of behuizingen, losse verbindingen of blootliggend koperdraad weg.
- Wanneer u het product opbergt, verwijdt u het product voorzichtig van waar het is geplaatst, inclusief bomen, takken of struiken, om onnodige spanning of spanning op de productgeleiders, verbindingen en draden te voorkomen.
- Wanneer het niet in gebruik is, moet u het product netjes bewaren op een koele, droge plaats beschermd tegen zonlicht.

LET OP - Om het risico op brand en elektrische schokken te verminderen:

- Moet u het product niet installeren op bomen met naalden, bladeren of takken van metaal of materialen die op metaal lijken.
- monteer of ondersteun draden niet op een manier die draadisolatie kan doorsnijden of beschadigen.

Klasse A-disclaimer: deze apparatuur is getest en in overeenstemming bevonden met de limieten van een digitaal apparaat uit klasse A, conform deel 15 van de FCC-voorschriften. Deze beperkingen zijn opgesteld om een redelijke bescherming te bieden tegen schadelijke storingen in een woonomgeving. Deze apparatuur genereert en maakt gebruik van radiofrequente straling en kan deze afgeven. Indien deze apparatuur niet volgens de instructies wordt geïnstalleerd en gebruikt, kan deze schadelijke storing van radiocommunicatie veroorzaken. Er is echter geen

garantie dat in bepaalde situaties geen storing zal optreden. Als deze apparatuur schadelijke storing in radio- of televisieontvangst veroorzaakt, wat kan worden vastgesteld door de apparatuur in en uit te schakelen, kan de gebruiker proberen deze storing op één of meer van de volgende manieren op te heffen:

- De ontvangstantenne verplaatsen of anders richten.
- De afstand tussen de apparatuur en de ontvanger vergroten.
- De apparatuur aansluiten op een ander stopcontact in een ander circuit dan dat waarop de ontvanger is aangesloten.
- Raadpleeg voor hulp de dealer of een ervaren radio- en televisiemonteur.

Compatibiliteitsverklaring

De draadloze prestaties zijn afhankelijk van de Bluetooth/WiFi draadloze technologie van uw apparaat, raadpleeg de fabrikant van uw apparaat. Ledworks SRL is niet aansprakelijk voor verlies van gegevens of lekkage als gevolg van het gebruik van deze apparaten.

⚠️ OPGELET!

Sluit de ketting niet aan op de voeding terwijl deze zich in de verpakking bevindt. De verbindingskabel kan niet worden gerepareerd of vervangen. Als de kabel is beschadigd, moet de gehele fitting worden weggegooid. NIET VERVANGBARE GLOEIENDE LAMP. De lichtketting mag niet worden gebruikt zonder dat alle pakkingen op hun plaats zitten. Lichtkettingen zijn niet bedoeld voor interconnectie.Sluit deze ketting niet elektrisch aan op apparaten van een andere fabrikant. OPGELET! Wurgingsgevaar. Buiten het bereik van jonge kinderen houden.



Het symbool van een doorkruiste afvalcontainer geeft aan dat het artikel apart verwijderd dient te worden van het huisafval. Het artikel dient te worden ingeleverd voor recycling in overeenstemming met de plaatselijke milieuvoorschriften voor afvalverwerking.

De fabrikant, Ledworks Srl, verklaart dat dit apparaat voldoet aan de richtlijnen van (LVD) 2014/35/EU, (RED) 2014/53/EU, (EMC) 2014/30/EU, (RoHS) 2011/65/EU. De volledige tekst van de EU-conformiteitsverklaring is via het volgende internetadres beschikbaar: www.twinkly.com/certifications

Systeemvereisten

De minimale systeemvereisten voor mobiele telefoons zijn iOS 11 en Android 5 Kijk in de app store voor de laatste update om zeker te zijn van de beste prestaties.

Led-dioden van hoogwaardige kwaliteit

Om een hoge kleurweergave te garanderen, worden alleen hoogwaardige leds gebruikt voor Twinkly-producten.

De RGB- en RGB+W-producten van Twinkly worden geproduceerd volgens kwaliteitsprincipes en -processen die ons in staat stellen primaire kleuren met een hoge mate van zuiverheid te verkrijgen.

De minimale excitatiezuiverheidswaarden van de blauwe, groene en rode componenten worden weergegeven in de onderstaande tabel.

Bluetooth-licentie

Het woordmerk en de logo's van Bluetooth® zijn geregistreerde handelsmerken die eigendom zijn van Bluetooth SIG, Inc. en elk gebruik van deze merken door Ledworks SRL gebeurt onder licentie. Andere handelsmerken en handelsnamen zijn eigendom van hun respectieve eigenaars.

RF-bediening voor 802.11 b/g/n Wi-Fi / Bluetooth V4.2 BR/EDR/LE	Kleurzuiverheidswaarden
Frequentie 2402/2480 Mhz	Blauw > 90%
Maximaal uitgangsvermogen <100mW	Groen > 65%
	Rood > 95%

*** De waarden gelden alleen voor RGB- (STP) en RGBW- (SPP) producten, niet voor AWW- (GOP) producten**

ES Lea y siga todas las instrucciones de seguridad.

- LEA Y SIGA TODAS LAS INSTRUCCIONES DE SEGURIDAD.
- No lo monte ni coloque cerca de calentadores de gas o eléctricos, chimeneas, velas u otras fuentes de calor similares.
- El cable flexible externo o cordón de esta luminaria no puede sustituirse; si el cordón se daña, la luminaria deberá destruirse. La fuente luminosa de esta luminaria no es sustituible; cuando la fuente luminosa llegue al final de su vida útil, deberá sustituirse toda la luminaria.
- Este artículo no es adecuado para la iluminación de habitaciones y sólo tiene fines decorativos.
- No asegure el cableado del producto con grapas o clavos, ni lo coloque en ganchos o clavos afilados.
- No deje que las lámparas descansen sobre el cable de alimentación ni sobre ningún otro cable.
- Desenchufe el producto cuando salga de la casa, cuando se acueste por la noche o cuando lo deje desatendido.
- ¡Este es un producto eléctrico, no un juguete! Para evitar el riesgo de incendio, quemaduras, lesiones personales y descargas eléctricas, no se debe jugar con él ni colocarlo donde los niños pequeños puedan alcanzarlo.
- No utilice este producto para un uso distinto al previsto.
- No cuelgue adornos u otros objetos del cordón, alambre o cuerda de luz.
- No cubra el producto con tela, papel o cualquier otro material que no forme parte del producto durante su uso.
- No cierre las puertas o ventanas del producto o de los cables de extensión, ya que esto podría dañar el aislamiento de los cables.
- Lea y siga todas las instrucciones que aparecen en el producto o que se suministran con el mismo.
- GUARDE ESTAS INSTRUCCIONES.
- No conectes la cadena al suministro eléctrico mientras esté en el embalaje.
- En caso de rotura o daño de las bombillas, la cadena no debe utilizarse ni conectarse a la corriente, sino desecharse de forma segura.
- Las lámparas no son reemplazables.
- ADVERTENCIA: EN CASO DE HABER LÁMPARAS ROTAS O FALTANTES, ESTO SUPONE UN RIESGO DE DESCARGA ELÉCTRICA. NO SE DEBE UTILIZAR EN ESTOS CASOS.

Instrucciones de uso y cuidado

- Quando el producto se coloque en un árbol vivo, el árbol deberá estar bien mantenido y fresco. No lo coloque en árboles vivos en los que las agujas sean de color marrón o se rompan fácilmente. Mantenga el soporte del árbol vivo lleno de agua.
- Si el producto se coloca en un árbol, este deberá estar bien sujeto y ser estable.
- Antes de usarlo o reutilizarlo, inspeccione cuidadosamente el producto. Deseche cualquier producto que tenga los cables o aislantes cortados, dañados o deshilachados, grietas en los portallámparas o en los gabinetes, las conexiones flojas o el alambre de cobre expuesto.
- Quando almacene el producto, retírelo cuidadosamente de dondequiera que esté colocado, lo que incluye árboles, ramas o arbustos, para evitar cualquier tensión o esfuerzo indebido en los conductores, las conexiones y los cables del producto.
- Quando no lo utilice, guárdelo cuidadosamente en un lugar fresco y seco protegido de la luz solar.

PRECAUCIÓN. Para reducir el riesgo de incendios y descargas eléctricas:

- No lo instale en árboles que tengan agujas, hojas o ramas cubiertas de metal o materiales que parezcan de metal.
- No monte ni apoye los alambres de manera que se pueda cortar o dañar el aislamiento de los mismos.

Descargo de responsabilidad de Clase A: Este equipo ha sido probado y se ha comprobado que cumple con los límites de un dispositivo digital de Clase A, de acuerdo con la Parte 15 de las Normas de la FCC. Estos límites están diseñados para proporcionar una protección razonable

contra las interferencias perjudiciales de una instalación residencial. Este equipo genera, utiliza y puede irradiar energía de radiofrecuencia y, si no se instala y utiliza de acuerdo con las instrucciones, puede causar interferencias perjudiciales en las comunicaciones por radio. Sin embargo, no se puede garantizar que no se produzcan interferencias en una instalación concreta. Si este equipo causa interferencias perjudiciales en la recepción de radio o televisión, lo cual puede determinarse apagando y encendiendo el equipo, se recomienda al usuario que intente corregir las interferencias mediante una o varias de las siguientes medidas:

- Reorientar o reubicar la antena receptora.
- Aumentar la separación entre el equipo y el receptor.
- Conectar el equipo a una toma de corriente en un circuito diferente al que está conectado el receptor.
- Consultar al distribuidor o a un técnico experto en radio/televisión para obtener ayuda.

Exención de compatibilidad

El rendimiento inalámbrico depende de la tecnología inalámbrica Bluetooth/WiFi de su dispositivo, consulte al fabricante de su dispositivo. Ledworks SRL no se hace responsable de cualquier pérdida de datos o fugas resultantes del uso de estos dispositivos.

⚠️ ¡ADVERTENCIA!

No conecte el cable a la fuente de alimentación mientras está en el embalaje. El cable de conexión no puede ser reparado o reemplazado.Si el cable está dañado, se debe desechar todo el accesorio. BOMBILLA NO REEMPLAZABLE. La cadena de iluminación no debe utilizarse sin que todas las juntas estén en su lugar. Las cadenas de iluminación no están pensadas para la interconexión.No conecte esta cadena eléctricamente a los dispositivos de otro fabricante. ¡PRECAUCIÓN! Peligro de estrangulamiento. Cuelgue fuera del alcance de los niños pequeños.



El símbolo del contenedor con ruedas tachado indica que el artículo no debe eliminarse con la basura doméstica. El artículo debe ser entregado para su reciclaje de acuerdo con las normativas ambientales locales para la eliminación de residuos.

El fabricante, Ledworks Srl, declara que este dispositivo cumple con las (LVD) 2014/35/EU, (RED) 2014/53/EU, (EMC) 2014/30/EU, (RoHS) 2011/65/EU directivas. El texto completo de la declaración de conformidad con la UE está disponible en la siguiente dirección de internet: www.twinkly.com/certifications

Requisitos del sistema

Los requisitos mínimos del sistema para teléfonos móviles son iOS 11 y Android 5 Consulte en la tienda de aplicaciones la última actualización para garantizar el mejor rendimiento.

Especificaciones técnicas

Alimentación: ver etiqueta
el producto debe conectarse a una salida de alimentación de clase 2, LPS
Protección IP: IP20

Diodos LED de primera calidad

Para garantizar una alta reproducción cromática, los productos Twinkly solo utilizan LED de alta calidad.

Los productos RGB y RGB+W de Twinkly se producen siguiendo principios y procesos de calidad que nos permiten obtener un alto grado de pureza de los colores primarios.

Los valores mínimos de pureza de excitación de los componentes Azul, Verde y Rojo se muestran en la siguiente tabla.

Licencia de Bluetooth

La marca y los logotipos Bluetooth® son marcas comerciales registradas propiedad de Bluetooth SIG, Inc. y cualquier uso de dichas marcas por parte de Ledworks SRL se realiza bajo licencia. Las demás marcas y nombres comerciales pertenecen a sus respectivos propietarios.

RF de func. para 802.11 b/g/n Wi-Fi / Bluetooth V4.2 BR/EDR/LE	Valores de pureza del color
Frecuencia 2402/2480 Mhz	Azul > 90%
Potencia máxima de salida <100mW	Verde > 65%
	Rojo > 95%

** Los valores solo se aplican a los productos RGB (STP) y RGBW (SPP), no a los productos AWW (GOP)*

hvilket kan bestemmes ved at tænde og tænde udstyret, opfordres brugeren til at prøve at rette interferensen ved hjælp af en eller flere af følgende foranstaltninger:

- Vend eller flyt modtageantennen.
- Øg afstanden mellem udstyr og modtager.
- Slut udstyret til en stikkontakt på et andet kredsløb end det, som modtageren er tilsluttet.
- Kontakt forhandleren eller en erfaren radio-tv-tekniker for at få hjælp.

Ansvarsfraskrivelse om kompatibilitet

Trådløs ydeevne afhænger af din enheds trådløse Bluetooth/WiFi-teknologi, se venligst producentens oplysninger om din enhed. Ledworks SRL er ikke ansvarlig for tab af data eller lækager som følge af brugen af disse enheder.

⚠ ADVARSEL!

Tilslut ikke lyskæden til strømforsyningen, mens den er i emballagen. Forbindelseskablet kan ikke repareres eller udskiftes. IKKE-UDSKIFTBARE PÆRER. Tilslut ikke denne lyskæde elektrisk til enheder fra en anden producent. ADVARSEL! Kvælningsfare. Opbevares utilgængeligt for små børn.



⚠ Symbolet med den overstregede skraldespand indikerer, at genstanden skal bortkaffes separat fra husholdningsaffald. Varen skal afleveres til genbrug i overensstemmelse med lokale miljøregler for bortskaffelse af affald.

Producenten Ledworks Srl erklærer, at denne enhed overholder direktiverne (LVDD) 2014/35/EU, (RED) 2014/53/EU, (EMC) 2014/30/EU, (RoHS) 2011/65/EU. Den fulde tekst til EU-overensstemmelseserklæringen findes på følgende internetadresse: **www.twinkly.com/certifications**

Systemkrav
Minimumssystemkravet til mobiltelefoner er iOS 11 og Android 5. Se i app store for at finde den nyeste opdatering for at sikre den bedste ydeevne.

Tekniske specifikationer

Strømforsyning: se etiketten
Produktet skal være tilsluttet en klasse 2, LPS-udgang på en strømforsyning IP-beskyttelse: IP20

Førsteklasses LED-dioder

For at sikre en god farvegengivelse bruger produkterne fra Twinkly kun LED'er af høj kvalitet. RGB og RGB+W produkter fra Twinkly er produceret efter kvalitetsprincipper og processer, der gør det muligt for os at opnå meget rene primærfarver. De minimale excitation purity-værdier for de blå, grønne og røde komponenter er vist i tabellen nedenfor.

Bluetooth-licensering

Bluetooth Bluetooth®-ordmærket og logoer er registrerede varemærker, der ejes af Bluetooth SIG, Inc. og enhver brug af sådanne mærker af Ledworks SRL er under licens. Andre varemærker og handelsnavne tilhører deres respektive ejere.

Drifts-RF for 802.11 b/g/n Wi-Fi / Bluetooth V4.2 BR/EDR/LE	Farve-renhedsværdier
Frekvens	Blå > 90%
Maks. udgangseffekt <100mW	Grøn > 65%
	Rød > 95%

** Værdier gælder kun for RGB (STP) og RGBW (SPP)-produkter, ikke for AWW (GOP)-produkter*

FI **Lue kaikki turvallisuuohjeet ja noudata niitä.**

- LUE KAIKKI TURVALLISUUOHIJEET JA NOUDATA NIITÄ.
- Älä asenna tai aseta kaasu- tai sähkölämmittimen, tulisijojen, kynttilöiden tai muiden vastaavien lämmönlähteiden lähesiysteen.
- Tämän valaisimen ulkoista taipuisaa kaapelia tai johtoa ei voi vaihtaa; jos johto vaurioituu, valaisin on tuhottava. Tämän valaisimen valonlähdettä ei voi vaihtaa; kun valonlähteen

DA **Læs og følg alle sikkerhedsinstruktioner.**

- LÆS OG FØLG ALLE SIKKERHEDSINSTRUKTIONER.
- Armaturets udvendige fleksible kabel eller ledning kan ikke udskiftes; hvis ledningen beskadiges, skal armaturet destrueres. Armaturets lyskilde kan ikke udskiftes; når lyskilden har udtjent sin levetid, skal hele armaturet udskiftes.
- Denne artikel er ikke egnet til rumbelysning og er kun til dekorationsformål.
- Montrér eller placer ikke i nærheden af gas- eller elektriske varmeapparater, pejse, lys eller andre lignende varmekilder.
- Fastgør ikke ledningerne til produktet med hæfteklammer eller søm, og læg dem ikke på skarpe kroge eller søm.
- Lad ikke lamperne hvile på strømledningen eller på nogen anden ledning.
- Træk stikket ud af produktet, når du forlader huset, eller når du går i seng om natten, eller hvis det efterlades uden opsyn.
- Dette er et elektrisk produkt - ikke et legetøj! For at undgå risiko for brand, forbrændinger, personskade og elektrisk stød, bør det ikke leges med eller placeres, hvor små børn kan nå det.
- Brug ikke dette produkt til andet end dets tilsigtede brug.
- Hæng ikke ornamenter eller andre genstande fra ledningen, ledningen eller lyskæden.
- Dæk ikke produktet med tæppe, papir eller andet materiale, der ikke er en del af produktet, når det er i brug.
- Luk ikke døre eller vinduer på produktet eller forlængerledningerne, da dette kan beskadige ledningsisolationen.
- Læs og følg alle instruktioner, der findes på produktet eller leveres sammen med produktet.
- GEM DISSE INSTRUKTIONER.
- Tilslut ikke kæden til forsyningen, mens den er i emballagen.
- Hvor der opstår brud eller beskadigelse af lamper, må kæden ikke bruges/aktiveres, men skal bortkaffes sikkert.
- Lamperne kan ikke udskiftes.
- ADVARSEL – RISIKO FOR ELEKTRISK STØD, HVIS LAMPER ER I STYKKER ELLER MANGLER. UNDLAD AT BRUGE.

Brugs- og vedligeholdelsesinstruktioner

- Når produktet placeres på et levende træ, skal træet være i god stand og frisk. Placer ikke på levende træer, hvor nålene er brune eller let knækker. Sørg for, at holderen til det levende træ fyldt med vand.
- Hvis produktet placeres på et træ, skal træet være godt sikret og stabilt.
- Inden du bruger eller genbruger, skal du inspicere produktet omhyggeligt. Kassér produkter, der har gennemskåret, beskadiget eller flosset ledningsisolerlng eller ledninger, revner i lampeholderne eller kabinetterne, løse forbindelser eller synlig kobbertråd.
- Når du opbevarer produktet, skal du omhyggeligt fjerne produktet, der hvor det er placeret, inklusive træer, grene eller buske, for at undgå unødigt belastning eller belastning af produktets ledere, forbindelser og ledninger.
- Opbevares på et køligt, tørt sted beskyttet mod sollys, når det ikke er i brug.

ADVARSEL - For at reducere risikoen for brand og elektrisk stød:

- Monter ikke på træer med nåle, blade eller grenbelægninger af metal eller materialer, der ligner metal.
- Monter eller understøt ikke ledninger på en måde, der kan skære i eller beskadige ledning-sisoleringen.

Ansvarsfraskrivelse for klasse A: Dette udstyr er testet og fundet i overensstemmelse med grænserne for en klasse A digital enhed i henhold til afsnit 15 i FCC-reglerne. Disse grænser er designet til at give rimelig beskyttelse mod skadelig interferens i en boliginstallation. Dette udstyr genererer, bruger og kan udsåtre radiofrekvensenergi, og hvis det ikke installeres og bruges i overensstemmelse med instruktionerne, kan det forårsage skadelig interferens i radiokommunikation. Der er dog ingen garanti for, at der ikke opstår interferens i en bestemt installation. Hvis dette udstyr forårsager skadelig interferens i radio- eller tv-modtagelse,

udrustning kan forårsage interferens i reception af radio eller television, que pode ser determinada ligando e desligando o equipamento, o utilizador é encorajado a tentar corrigir a interferência através de uma ou mais das seguintes medidas:

- Reorientar ou deslocar a antena de recepção.
- Aumentar a separação entre o equipamento e o receptor.
- Ligar o equipamento a uma tomada num circuito diferente daquele a que o receptor está ligado.
- Consultar o revendedor ou um técnico de rádio/TV experiente para obter ajuda.

Declaración de Compatibilidade

O desempenho sem fios depende da tecnologia sem fios Bluetooth/WiFi do seu dispositivo, por favor consulte o fabricante do seu dispositivo. A Ledworks SRL não é responsável pela perda de dados ou leakage als gevolg van het gebruik van deze apparaten.

⚠ ATENÇÃO!

Não ligar a cadeia à fonte de alimentação enquanto esta estiver na sua embalagem. O cabo de ligação não pode ser reparado ou substituído. Se o cabo estiver danificado, descarte todo o encaixe. NÃO REPLACEMENTABLE GLOWLAMP.As correntes ligeiras não se destinam à interligação. Não ligar electricamente esta corrente a dispositivos de outro fabricante. CUIDADO! Risco de estrangulamento. Manter fora do alcance das crianças pequenas.



⚠ O símbolo de um contentor de rodas com uma cruz indica que o artigo deve ser eliminado separadamente do lixo doméstico. O artigo deve ser devolvido para reciclagem em conformidade com os regulamentos ambientais locais para a eliminação de resíduos.

O fabricante, Ledworks Srl, declara que este dispositivo cumpre as directivas de (LVD) 2014/35/EU, (RED) 2014/53/EU, (EMC) 2014/30/EU, (RoHS) 2011/65/EU. O texto completo da declaração de conformidade da UE está disponível no seguinte endereço Internet: **www.twinkly.com/certifications**

Requisitos do sistema

Os requisitos mínimos do sistema para telemóveis são iOS 11 e Android 5 Verifique na loja de aplicações a última actualização para assegurar o melhor desempenho.

Diodos LED de alta qualidade

Para assegurar uma elevada restituição de cor, só são utilizados LEDs de alta qualidade para produtos Twinkly. Os produtos Twinkly RGB e RGB+W são produzidos de acordo com princípios e processos de qualidade que nos permitem obter cores primárias com um elevado grau de pureza.

Os valores mínimos de pureza de excitação dos componentes azul, verde e vermelho são mostrados na tabela abaixo.

Licenciamento de Bluetooth

A marca nominativa e logótipos Bluetooth® Bluetooth® são marcas registadas propriedade da Bluetooth SIG, Inc. e qualquer utilização de tais marcas pela Ledworks SRL está sob licença. Outras marcas registadas e nomes comerciais são os dos seus respectivos proprietários.

Controlo RF para 802.11 b/g/n Wi-Fi / Bluetooth V4.2 BR/EDR/LE	Valores de pureza da cor
Frequência 2402/2480 Mhz	Azul > 90%
Potência máxima de saída <100mW	Verde > 65%
	Vermelho > 95%

** Os valores aplicam-se apenas aos produtos RGB (STP) e RGBW (SPP), não aos produtos AWW (GOP)*

PT **Ler e seguir todas as instruções de segurança.**

- LER E SEGUIR TODAS AS INSTRUÇÕES DE SEGURANÇA.
- Não montar ou colocar perto de fogões a gás ou eléctricos, lareiras, velas ou outras fontes de calor semelhantes.
- O cabo ou cabo flexível externo desta luminária não pode ser substituído; se o cabo for danificado, destruir a luminária. A fonte de luz desta luminária não é substituível; quando a fonte de luz atinge o fim da sua vida útil, a luminária inteira deve ser substituída.
- Este artigo não é adequado para iluminação de quartos e é apenas para fins decorativos.
- Não fixar a faixao do produto com agrafos ou pregos ou colocá-lo em ganchos ou pregos afiados.
- Não deixar descansar as lâmpadas sobre o cabo de alimentação ou sobre um fio.
- Desligue-o quando sair de casa, quando for dormir, ou quando estiver longe dele.
- Isto é um produto eléctrico - não um brinquedo! Para evitar o risco de incêndio, queimaduras, ferimentos pessoais e choque eléctrico, não brincar com ele e não o colocar onde as crianças pequenas o possam alcançar.
- Não utilizar este produto para outros fins que não a sua utilização prevista.
- Não pendurar decorações ou outros objectos num fio, arame ou fio leve.
- Não cobrir o produto durante a sua utilização com um pano, papel ou outro material que não faça parte do produto.
- Não fechar portas ou janelas sobre o produto ou cordões de extensão, pois isso pode danificar o isolamento do fio.
- Ler e seguir todas as instruções sobre o produto ou fornecidas com o produto.
- MANTER ESTAS INSTRUÇÕES.
- Não ligar o pêndulo à fonte de alimentação enquanto este estiver na sua embalagem.
- Se as lâmpadas estiverem partidas ou danificadas, o pêndulo não deve ser utilizado/ energizado, mas sim eliminado em segurança.
- As lâmpadas não são substituíveis.
- AVISO - RISCO DE CHOQUE ELÉCTRICO SE AS LÂMPADAS ESTIVEREM PARTIDAS OU EM FALTA. NÃO UTILIZAR.

Instruções de funcionamento e manutenção

- Se o produto for colocado sobre uma árvore viva, a árvore deve ser devidamente mantida. Não colocar em árvores vivas em que as agulhas sejam castanhas ou se partam facilmente. Manter o suporte de árvores vivas cheio de água.
- Se o produto for colocado sobre uma árvore, a árvore deve ser firme e estável.
- Inspeccionar cuidadosamente o produto antes de o utilizar ou reutilizar. Eliminar produtos com isolamento ou cabos cortados, danificados ou desfiados, fissuras nos suportes ou caixas das lâmpadas, ligações soltas ou fio de cobre exposto.
- Ao armazenar o produto, remover cuidadosamente o pendulo do local onde é colocado, incluindo árvores, ramos ou arbustos, para evitar stress ou tensão desnecessários sobre os condutores, ligações e fios do produto.
- Quando não estiver a ser utilizado, armazenar o produto em local fresco e seco, protegido da luz solar.

CUIDADO - Para reduzir o risco de incêndio e choque eléctrico:

- Não instalar o produto em árvores com agulhas, folhas ou ramos de metal ou materiais que se assemelham ao metal.
- Não montar ou suportar fios de uma forma que possa cortar ou danificar o isolamento do fio.

Isenção de responsabilidade de Classe A: Este equipamento foi testado e considerado em conformidade com os limites para um dispositivo digital de Classe A, nos termos da Parte 15 das Regras da FCC. Estes limites foram concebidos para proporcionar uma protecção razoável contra interferências nocivas numa instalação residencial. Este equipamento gera, utiliza e pode irradiar energia de radiofrequência e, se não for instalado e utilizado de acordo com as instruções, pode causar interferências nocivas às comunicações por rádio. No entanto, não há garantias de que não ocorram interferências numa instalação em particular. Se este

RU
Прочитайте и соблюдайте все инструкции по технике безопасности.

- ПРОЧИТАЙТЕ И СОБЛЮДАЙТЕ ВСЕ ИНСТРУКЦИИ ПО ТЕХНИКЕ БЕЗОПАСНОСТИ.**
- Внешний гибкий кабель или шнур данного светильника не подлежит замене; если шнур поврежден, светильник подлежит уничтожению. Источник света этого светильника не подлежит замене; когда срок службы источника света истекает, весь светильник подлежит замене.
- Эта статья не подходит для освещения помещения и предназначена только для украшения.
- Не устанавливайте и не размещайте изделие вблизи газовых или электрических обогревателей, каминов, свечей или других подобных источников тепла.
- Не закрепляйте проводу изделия скобами или гвоздями и не размещайте изделие на острых крючках или гвозздях.
- Лампы изделия не должны касаться шнура питания или любого другого провода. Выключайте изделие из розетки, когда выходите из дома, ложитесь спать на ночь или если его оставили без присмотра.
- Внимайте вилку из розетки, когда выходите из дома, ложитесь спать или оставляете изделие без присмотра.
- Это электрическое изделие, а не игрушка! Во избежание риска возгорания, ожогов, травм и поражения электрическим током не следует играть с изделием или размещать в месте, где к нему могут получить доступ маленькие дети.
- Не используйте данное изделие по назначению.
- Не вешайте украшения или другие предметы на шнур, провод или гирлянду.
- Не накрывайте включенное изделие тканью, бумагой или любым материалом, не являющимся частью изделия.
- Не закрывайте двери или окна на протянутом через них изделии или удлинителе, так как это может повредить изоляцию проводов.
- Прочтите и выполните все инструкции, которые указаны на изделии или прилагаются к нему.
- СОХРАНИТЕ ЭТИ ИНСТРУКЦИИ.
- Не подключайте гирлянду к источнику питания, пока она находится в упаковке.
- В случае поломки или повреждения ламп гирлянды не должна использоваться/включаться, а должна быть безопасно утилизирована.
- Лампы не подлежат замене.
- ПРЕДУПРЕЖДЕНИЕ: РИСК ПОРАЖЕНИЯ ЭЛЕКТРИЧЕСКИМ ТОКОМ В СЛУЧАЕ, ЕСЛИ ЛАМПЫ СЛОМАНЫ ИЛИ ОТСУТСТВУЮТ. ЗАПРЕЩАЕТСЯ ИСПОЛЬЗОВАТЬ.**

Инструкции по использованию и уходу

- При размещении изделия на живом дереве, обратайте внимание на состояние дерева: оно должно быть ухоженным и свежим. Не размещайте изделие на живых деревьях с коричневой или легко обламывающейся хвоей. Держите подставку для живого дерева наполненной водой.
- При размещении изделия на живом дереве проследите, чтобы дерево было хорошо закреплено и находилось в устойчивом положении.
- Перед использованием или повторном использованием внимательно осмотрите изделие. Выбросьте все изделия, у которых порезана, повреждена или изношена изоляция проводов или шнуров, трещины в держателях или корпусах ламп, ослабленные соединения или оголенный медный провод.
- При складывании изделия на хранение осторожно извлекайте его из места размещения, включая деревья, ветви или кусты, чтобы избежать чрезмерного натяжения или деформации проводников, соединений и проводки изделия.
- Храните неиспользуемые изделия аккуратно сложенными в прохладном, сухом месте, защищенном от солнечного света.

электрическим током:

- а. Не устанавливайте на деревьях, имеющих хвою, листья или ветви, покрытые металлом или материалами, которые выглядят как металл.
- б. Не монтируйте и не поддерживайте провода таким образом, чтобы это могло привести к перерезанию или повреждению их изоляции.

Отказ от класса А: Данное оборудование было протестировано и признано соответствующим ограничениям для цифровых устройств класса А в соответствии с частью 15 правил FCC. Эти ограничения предназначены для обеспечения разумной защиты от вредных помех при установке в жилых помещениях. Данное оборудование генерирует, использует и может излучать радиочастотную энергию и, если оно установлено и используется не в соответствии с инструкциями, может создавать вредные помехи для радиосвязи. Однако нет гарантии, что помехи не возникнут в конкретной установке. Если данное оборудование создает помехи для радио- или телевизионного приема, что может быть определено путем выключения и включения оборудования, пользователю рекомендуется попытаться устранить помехи одним или несколькими из следующих способов.

- Переориентируйте или переместите приемную антенну.
- Увеличить расстояние между оборудованием и приемником.
- Подключить оборудование к розетке в цепи, отличной от той, к которой подключен приемник.
- Обратитесь за помощью к дилеру или опытному специалисту по радио/ТВ.

Заявление о совместимости

Производительность беспроводной связи зависит от беспроводной технологии Bluetooth/WiFi вашего устройства, пожалуйста, обратитесь к производителю вашего устройства. Ledworks SRL не несет ответственности за любые потери данных или утечки, возникшие в результате использования этих устройств.

⚠️ ПРЕДУПРЕЖДЕНИЕ!

Не подключайте гирлянду к источнику питания, пока она находится в упаковке. Соединительный кабель не подлежит ремонту или замене. НЕЗАМЕНЯЕМЫЕ ЛАМПЫ. Не подключайте эту гирлянду к устройствам другого производителя. **ОСТОРОЖНО!** Опасность удушения. Хранить в недоступном для маленьких детей месте.



Знак перечеркнутого бака на колесах указывает на то, что данный предмет следует утилизировать отдельно от бытовых отходов. Изделие следует сдавать на переработку в соответствии с местными экологическими нормами утилизации отходов
Производитель, Ledworks Srl, заявляет, что это устройство соответствует директивам (LVD) 2014/35/EU, (RED) 2014/53/EU, (EMC) 2014/30/EU, (RoHS) 2011/65/EU, (REACH) 1907/2006. Полный текст декларации соответствия ЕС доступен по следующему адресу в Интернете: **www.twinkly.com/certifications**

Системные требования

Минимальные системные требования для мобильных телефонов — iOS 11 и Android 5. Проверьте магазин приложений на наличие последних обновлений, чтобы обеспечить максимальную производительность.

Светодиоды премиум-класса

Для обеспечения интенсивной цветопередачи в продуктах Twinkly используются только высококачественные светодиоды. Продукты Twinkly RGB и RGB+W производятся в соответствии с принципами и процессами обеспечения качества, которые позволяют нам получать высокую степень чистоты основных цветов. Минимальные значения условной чистоты цвета для синего, зеленого и красного компонентов приведены в таблице ниже.

Технические характеристики

Источник питания: см. этикетку изделия должно быть подключено к выходу источника питания класса 2, LPS

IP защита: IP20

Лицензирование Bluetooth

Словесный знак Bluetooth Bluetooth® и логотипы являются зарегистрированными торговыми марками, принадлежащими Bluetooth SIG, Inc. и любое использование этих знаков компании Ledworks SRL осуществляется по лицензии. Другие торговые марки и торговые названия принадлежат их соответствующим владельцам.

Функциональная радиочастота для Wi-Fi 802.11 b/g/n / Bluetooth V4.2 BR/EDR/LE помощь.	Значения чистоты цвета
Синий > 90	Зеленый > 65
Частота 2402/2480 МГц	Красный > 95
Максимальная выходная мощность <100 мВт	

** Значения относятся только к продуктам RGB (STP) и RGBW (SPP), но не к продуктам AWW (GOP).*

JP
すべての安全に関する指示を読み、それに従ってください

- すべての安全に関する指示を読み、それに従ってください。
- ガスや電気のヒーター、暖炉、ろくそう、その他同様の熱源の近くに取り付けたり、置いたりしないでください。
- この照明器具が外部フレキシブルケーブルまたはコードは交換できません。コードが破損した場合、この照明器具を破棄しなければなりません。この照明器具の光源は交換できません。光源が寿命に達したら、照明器具全体を交換しなければなりません。
- 本製品は室内照明には適しておらず、あくまで装飾用である。
- 本製品の配線をホッチキスや釘で固定したり、鋭利なフックや釘の上に置いたりしないでください。
- ランプを電源コードや電線の上に置かないでください。
- 外出時や就寝時など、人がいないときはプラグを抜いてください。
- 本製品は電気製品であり、おもちゃではありません。火災、やけど、けが、感電の危険を避けるため、遊んだり、小さな子供の手の届くところに置かないこと。
- 本製品を本来の用途以外に使用しないでください。
- コードや針金、ヒモに装飾品などをぶら下げないでください。
- 使用中は、布や紙など製品以外のものを覆わないでください。
- 製品または延長コードにドアや窓を閉めないでください。
- 製品に記載されている、または製品に付属しているすべての説明書を読み、それに従ってください。
- これらの指示は保存してください。
- 梱包された状態で、チェーンを電源に接続しないでください。
- ランプの破損や損傷が発生した場合、チェーンは使用 / 通電 せず、安全に廃棄してください。
- ランプは交換できません。
- 警告：ランプが破損または紛失している場合、感電の危険がありま す。使用しないでください。

使用方法とお手入れ方法

- 生きている樹木に本製品を置く場合は、樹木の状態に注意してください。針が茶色い、または折れやすい生木に本製品を置かないでください。生木の台には水を張っておく。
- 本製品を生きた樹木に設置する場合は、樹木がしっかりと固定され、安定した位置にあることを確認してください。
- 使用または再利用する前に、製品をよく点検してください。電線やコードの被覆が切れたり、損傷したり、擦り切れたりした製品、ランプホルダーやハウジングに亀裂がある製品、接続が緩い製品、銅線が露出している製品はすべて廃棄してください。
- 製品を保管する場合は、製品の本体や接続部、配線に過度の負担や変形がかからないように、木や枝、茂みなど、設置場所から慎重に取り外してください。
- 未使用の製品を大切に保管するこのような場合、日光を避け、乾燥した涼しい場所に保管してください。

電流による

- 針葉樹や枝に金属や金属に似た素材が付着している樹木には設置しないでください。
- 電線を切断したり、絶縁体を損傷するような方法で、電線を取り付けたり、支持したりしないこと。

Class A 免責事項：この装置は、FCC規則のパート15に従って、Class Aデジタルデバイスの制限に準拠することが試験により確認されています。これらの制限は、住宅用設備において有害な干渉から妥当に保護するように設計されています。この装置は、無線周波エネルギーを発生、使用、放射することがあり、指示に従わずに設置、使用した場合、無線通信に有害な干渉を引き起こす可能性があります。ただし、特定の設置場所において干渉が発生しないことを保証するものではありません。本装置がラジオやテレビの変信に有害な干渉を引き起こす場合（装置の電源を切ったり入力したりすることで判断できる）、ユーザーは以下の手段の1つ以上によって干渉を修正するよう試みることが推奨されます。

- 受信アンテナの向きや位置を変更する。
- 機器と受信機の離隔距離を大きくする。
- 受信機が接続されている回路とは別の回路のコンセントに機器を接続してください。
- 販売店、または経験豊富なラジオやテレビの技術者にご相談ください。

互換性についての免責事項
ワイヤレス性能は、お使いの機器のBluetooth/WiFiワイヤレス技術に依存しますので、お使いの機器のメーカーにお問い合わせください。Ledworks SRLは、これらのデバイスの使用に起因するデータの損失や漏えいについて、一切責任を負いません。

⚠️ 警告!
デザインチェーンを梱包したまま電源に接続しないでください。接続ケーブルの修理・交換はできません。電球の交換はできません。このデザインチェーンは弊社製の機器と接続しないでください。警告! 窒息の危険性がある。小さなお子様の手の届かないところに保管してください。



このマークは、家庭ごとと区別して処理されることを示します。本製品は、廃棄物処理に関する地域の環境規制に従って廃棄する必要があります。

製造元である Ledworks Srl は、このデバイスが指令 (LVD) 2014/35/EU、(RED) 2014/53/EU、(EMC) 2014/30/EU、(RoHS) 2011/65/EU、(REACH) 1907/2006 に適合することを宣言しています。EU 適合宣言の全文は、次のインターネットアドレスでご覧いただけます： www.twinkly.com/certifications

システム要件

携帯電話の最低システム要件は、iOS 11とAndroid 5です。最高のパフォーマンスを發揮するために、アプリショップで最新のアップデートを確認してください。

プレミアムLED

Twinkly製品には、高品質のLEDのみが使用され、鮮明な演色性を確保しています。Twinkly RGBおよびRGB+Wの製品は、原色の高い純度を実現するための品質保証の原則とプロセスに従って製造されています。青、緑、赤の各成分の条件付き色純度の最小値を下表に示す。Bluetooth® のワードマークおよびロゴは、Bluetoothが所有する登録商標です。

Bluetooth ライセンス
Bluetooth® のワードマークおよびロゴは、Bluetooth SIG, Inc.が所有する登録商標であり、Ledworks SRL によるこれらのマークの使用は、ライセンスに基づくものです。その他の商標および番号は、それぞれの所有者のものです。

802.11 b/g/n Wi-Fi / Bluetooth V4.2 BR/EDR/LE 対応周波	色純度値
数範囲	ブルー > 90
周波数2402/2480MHz	グリーン > 65
最大出力(パワー) <100mW	赤 > 95

** RGB (STP)、RGBW (SPP) 製品にのみ適用される値であり、RGBW製品には適用されません。AWW (GOP) 製品です。*

KR 모든 안전 지침을 읽고 따르세요..

1. 모든 안전 지침을 읽고 준수하세요.
2. 이 조명기구의 외부 플렉시블 케이블 또는 코드를 교체해서는 안 되며, 코드가 손상된 경우 조명기구를 폐기해야 합니다. 이 조명기구의 광원은 교체할 수 없으며, 광원의 수명이 다하면 전체 조명기구를 교체해야 합니다.
3. 이 제품은 실내 조명용으로 적합하지 않으며 장식용으로만 사용할 수 있습니다.
4. 가스 또는 전기 히터, 벽난로, 양초 또는 기타 유사한 열원 근처에 제품을 설치하거나 두지 마세요.
5. 제품의 배선을 스테이플이나 못으로 고정하지 말고 날카로운 갈고리나 못에 제품을 올려놓지 마세요.
6. 제품의 전구가 진한 코드나 다른 전선에 닿지 않도록 하세요. 외출할 때, 밤에 잠자리에 들 때 또는 제품을 방치할 때는 플러그를 뽑아 두세요.
7. 외출하거나 밤에 잠자리에 들거나 제품을 방치할 때는 벽면 콘센트에서 제품의 플러그를 뽑으세요.
8. 이것은 장난감이 아닌 전기 제품입니다! 화재, 화상, 부상 또는 감전의 위험을 줄이려면 이 제품을 가지고 놀거나 어린이가 접근할 수 있는 곳에 두지 마세요.
9. 이 제품을 의도된 용도 이외의 용도로 사용하지 마세요.
10. 코드, 와이어 또는 가랜드에 장식이나 기타 물건을 걸지 마세요.
11. 전원이 켜져 있을 때 전, 종이 또는 제품의 일부가 아닌 다른 물질로 제품을 덮지 마세요.
12. 전선의 절연이 손상될 수 있으므로 제품이나 연장 코드가 통과하는 문이나 창문을 닫지 마세요.
13. 제품에 표시되어 있거나 제품과 함께 제공된 모든 지침을 읽고 따르세요.
14. 이 지침을 안전한 곳에 보관하세요.
15. 화환을 포장 상태 그대로 전원에 연결하지 마세요.
16. 전구가 파손되거나 손상된 경우 가랜드는 사용/연결해서는 안 되며 안전하게 폐기해야 합니다.
17. 전구는 교체하지 않아야 합니다.
18. 경고: 전구가 파손되었거나 없는 경우 감전 위험이 있습니다. 를 사용해서는 안 됩니다.

사용 및 관리 지침

- a. 살아있는 나무에 제품을 놓을 때는 나무의 상태에 주의하세요. 나무는 잘 관리되고 신선해야 합니다. 갈색 또는 쉽게 부러지는 바늘이 있는 살아있는 나무 위에 제품을 올려놓지 마세요. 살아있는 나무를 위한 스탠드에 물을 가득 채우세요.
- b. 제품을 살아있는 나무 위에 놓을 때는 나무가 잘 고정되어 있고 안정된 위치에 있는지 확인하세요.
- c. 제품을 사용하거나 재사용하기 전에 제품을 주의 깊게 검사하세요. 전선 또는 코드 절연이 끊어지거나 손상되거나 닳은 제품, 램프 홀더 또는 하우징에 균열이 있는 제품, 연결부가 느슨하거나 구리선이 노출된 제품은 모두 폐기합니다.
- d. 제품을 보관할 때는 제품의 도제, 연결부 및 배선에 과도한 긴장이나 변형이 발생하지 않도록 나무, 나뭇가지, 덩굴 등 주변에서 제품을 조심스럽게 치워야 합니다.

감전으로:

- a. 바늘, 나뭇잎, 나뭇가지가 금속으로 덮여 있거나 금속처럼 보이는 물질이 있는 나무에는 설치하지 마세요.
- b. 절연체를 자르거나 손상시킬 수 있는 방식으로 전선을 장착하거나 지지하지 마세요.

- 클래스 A 면책 조항: 이 장비는 테스트를 거쳐 FCC 규정의 파트 15에 따라 클래스 A 디지털 장치에 대한 제한 사항을 준수하는 것으로 확인되었습니다. 이러한 제한은 주거용 설치에서 유해한 간섭으로부터 합리적인 보호를 제공하기 위해 고안되었습니다. 이 장비는 무선 주파수 에너지를 생성, 사용 및 방출할 수 있으며 지침에 따라 설치 및 사용하지 않을 경우 무선 통신에 유해한 간섭을 일으킬 수 있습니다. 그러나 특정 설치 환경에서 간섭이 발생하지 않는다는 보장은 없습니다. 이 장비가 라디오 또는 텔레비전 수신에 유해한 간섭을 일으키는 경우(장비를 끄다 켜서 확인할 수 있음), 사용자는 다음 조치 중 하나 이상을 사용하여 간섭을 수정하는 것이 좋습니다:
- 수신 안테나의 방향 또는 위치를 변경합니다.
 - 장비와 수신기 사이의 간격을 늘립니다.
 - 수신기가 연결된 회로와 다른 회로의 콘센트에 장비를 연결합니다.
 - 무선 성능은 기기의 블루투스/와이파이 무선 기술에 따라 다르므로 기기 제조업체에 문의하시기 바랍니다. Ledworks SRL은 이러한 장치 사용으로 인한 데이터 손실 또는 유출에 대해 책임을 지지 않습니다.
 - 리셀러 또는 숙련된 라디오 및/또는 텔레비전 기술자에게 도움을 요청하세요.

호환성 면책 조항

무선 성능은 기기의 블루투스/와이파이 무선 기술에 따라 다르므로 기기 제조업체에 문의하시기 바랍니다. Ledworks SRL은 이러한 장치 사용으로 인한 데이터 손실 또는 유출에 대해 책임을 지지 않습니다.

⚠ 경고!

데이지 제인을 포장 상태일 때는 전원 공급 장치에 연결하지 마십시오. 연결 케이블은 수리하거나 교체할 수 없습니다. 전구는 교체할 수 없습니다. 이 크리스마스 조명을 다른 제조업체의 제품과 연결하지 마세요.

요. 경고! 직실 위험, 어린이의 손이 닿지 않는 곳에 보관하세요.

⚠ 경고!

❗️ 퀴 달린 쓰레기통에 줄이 그어져 있는 기호는 해당 품목을 일반 쓰레기와 분리하여 배출해야 함을 나타냅니다. 해당 제품은 폐기물 처리에 관한 현지 환경 규정에 따라 폐기해야 합니다.

제조업체인 Ledworks Srl은 이 장치 (LVD) 2014/35/EU, (RED) 2014/53/EU, (EMC) 2014/30/EU, (RoHS) 2011/65/EU, (REACH) 1907/2006 지침을 준수함을 선언합니다. EU 적합성 선언 전문은 다음 인터넷 주소(www.twinkly.com/certifications)에서 확인할 수 있습니다.

시스템 요구 사항

휴대폰의 최소 시스템 요구 사항은 iOS 11 및 Android 5입니다. 앱 스토어에서 최신 업데이트를 확인하여 성능을 극대화하세요.

시스템 요구 사항	기술 사양
휴대폰의 최소 시스템 요구 사항은 iOS 11 및 Android 5입니다. 앱 스토어에서 최신 업데이트를 확인하여 성능을 극대화하세요.	전원 공급 장치: 라벨 참조 제품은 전원 공급 장치의 클래스 2, LPS 출력에 연결해야 합니다. IP 보호: IP20

프리미엄 LED

트윙클리 제품에는 고품질 LED만 사용되어 강렬한 색상을 구현합니다. 트윙클리 RGB 및 RGB+W 제품은 높은 수준의 흰색 순도를 달성할 수 있는 품질 보증 원칙과 프로세스에 따라 제조됩니다. 파란색, 녹색 및 빨간색 구성 요소에 대한 최소 조건부 색상 순도 값은 아래 표에 나와 있습니다.

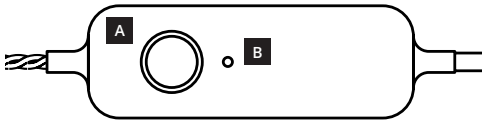
블루투스 라이선스

Bluetooth® 워드 마크 및 로고는 Bluetooth SIG, Inc. 소유의 등록 상표이며 Ledworks SRL의 모든 마크 사용은 라이선스 하에 있습니다. 기타 상표 및 상호는 해당 소유자의 상표입니다.

802.11 b/g/n Wi-Fi / Bluetooth V4.2 BR/EDR/LE 의 주파수 범위	색상 순도 값
주파수 2402/2480 Mhz	파란색 > 90%
최대 출력	녹색 > 65%
전력 <100mW	빨간색 > 95%

* 값은 RGB(STP) 및 RGBW(SPP) 제품에만 적용되며, 다음 제품에는 적용되지 않습니다. AWW(GOP) 제품.

controller



CONTROLLER / CONTROLLER / TÉLÉCOMMANDE / REGLER / MANDO / CONTROLADOR / CONTROLADOR / CONTROLLER / SAĀDIN / KONTROLENED / STYRENHET / KONTROLLER / STJÓRNTEKI / KRMLINIK / OVLAĐAČ / OVLAĐAČ / VEZÉRŁÓ / KONTROLER / KONTROLLER / KONTROLOR / ΕΛΕΓΚΤΗΣ / KONTROLÖR / KONTROLLER / КОНТРОЛЕР / КОНТРОЛЛЕР / コントローラ / 컨트롤러

A **BUTTON / PULSANTE / BOUTON / TASTE / BOTÓN / BOTÃO / KNOP / PAINIKE / KNAP / KNAPP / KNAPP / HNAPUR / GUMB / TLAČIDLO / ТЛАЗЃТКО / GOMB / BUTON / БУТОН / DUGME / KΟΥΜΠΗ / DUGME / PRZYCSIK / KHOΠIKH / KHOΠIKH / ボタン / ｷﾞｰﾑ / 버튼**

B **LED INDICATOR / INDICATORE LED / VOYANT / LED-ANZEIGE / INDICADOR LED / INDICADOR DE CHUMBO / LED-INDICATOR / LED-ILMAISIN / LED-INDIKATOR / LED-INDIKATOR / LED-INDIKATOR / LED LjÓŚ / INDIKATOR LED / LED INDIKÁTOR / LED-KIJELZŐ / INDICATOR LED / СВЕТОДИОДЕН ИНДИКАТОР / LED INDIKATOR / ΕΝΔΕΙΞΗ LED / LED GÖSTERGE / WSKAZNIK LED / СВІТЛОДІОДНИЙ ІНДИКАТОР / СВЕТОДИОДНИЙ ІНДИКАТОР / 리더индикатор / 리더指示灯 / LED 표시등 /**

- EN**
- CONTINUOUS GREEN: Direct Wi-Fi mode, connected
 - FLASHING GREEN: Direct Wi-Fi mode, no device connected
 - CONTINUOUS BLUE: Home Wi-Fi network mode, connected
 - FLASHING BLUE: Home Wi-Fi network mode, connection in progress
 - FLASHING RED: Home Wi-Fi network mode, unable to connect
 - LIGHT BLUE: SETUP MODE (Bluetooth ON)
 - YELLOW: Firmware Update in progress
 - CONTINUOUS RED: General error
 - FLASHING WHITE: Reset procedure in progress

- IT**
- VERDE FISSO: modalità Wi-Fi diretta - connesso
 - VERDE LAMPEGGIANTE: modalità Wi-Fi diretta - nessun dispositivo collegato
 - BLU FISSO: modalità rete WiFi domestica - connesso
 - BLU LAMPEGGIANTE: modalità rete WiFi domestica - connessione in corso
 - ROSSO LAMPEGGIANTE: modalità rete WiFi domestica - impossibile connettersi
 - AZZURRO: Modalità SETUP (Bluetooth acceso)
 - GIALLO: Aggiornamento Firmware in corso
 - ROSSO FISSO: Errore generale
 - BIANCO LAMPEGGIANTE: Procedura Reset in corso

- FR**
- VERT FIXE : Mode Wi-Fi direct, connecté
 - VERT CLIGNOTANT : Mode Wi-Fi direct, aucun appareil connecté
 - BLEU FONCÉ FIXE : Mode réseau Wi-Fi domestique, connecté
 - BLEU FONCÉ CLIGNOTANT : Mode réseau Wi-Fi domestique, connexion en cours
 - ROUGE CLIGNOTANT : Mode réseau Wi-Fi domestique, impossible de se connecter
 - BLEU CLAIR FIXE : mode CONFIGURATION (Bluetooth actif)
 - JAUNE FIXE : mise à jour du micrologiciel en cours
 - ROUGE FIXE : erreur générale
 - BLANC CLIGNOTANT : procédure de réinitialisation en cours

- SK**
- NEPRETRŽITÁ ZELENÁ: režim AP, pripojený
 - BLIKAJÚCA ZELENÁ: režim AP, nie je pripojené žiadne zariadenie
 - NEPRETRŽITÁ MODRÁ: režim Wi-Fi je pripojený
 - NEPRETRŽITÁ MODRÁ: režim Wi-Fi, pripojeno
 - BLIKAJÚCA MODRÁ: režim Wi-Fi, prebieha pripojenie
 - BLIKAJÚCA ČERVENÁ: režim Wi-Fi, pripojenie sa nepodarilo
 - SVETLÁ MODRÁ: REŽIM NASTAVENIA (Bluetooth ZAPNUTÝ)
 - ŽLTÁ: Prebieha aktualizácia firmvéru
 - NEPRETRŽITÁ ČERVENÁ: všeobecná chyba
 - BLIKAJÚCA BIELA: Prebieha resetovanie

- SL**
- SVETI ZELENO: način dostopne točke (AP), povezano
 - UTRIPA ZELENO: način dostopne točke (AP), nobena naprava ni povezana
 - SVETI MODRO: način Wi-Fi, povezano
 - UTRIPA MODRO: način Wi-Fi, vzpostavljanje povezave
 - UTRIPA RDEČE: način Wi-Fi, povezave ni mogoče vzpostaviti
 - SVETLO MODRA: NAČIN NASTAVITVE (Bluetooth je vklopljen)
 - RUMENKA: posodabljanje vdelane programske opreme
 - SVETI RDEČE: splošna napaka
 - UTRIPA BELO: poteka ponastavitev

- BG**
- ПРОДЪЛЖИТЕЛНО ЗЕЛЕНО: Директен режим на Wi-Fi, свързан
 - МИГАЩО ЗЕЛЕНО: режим Direct Wi-Fi, няма свързано устройство
 - НЕПРЕКЪЧАТО СИННО: режим на домашна Wi-Fi мрежа, свързан
 - МИГАЩО СИННО: режим на домашна Wi-Fi мрежа, в процес на свързване
 - МИГАЩО ЧЕРВЕНО: Режим на домашна Wi-Fi мрежа, невъзможност за свързване
 - СВЕТЛО СИННО: РЕЖИМ НА НАСТРОЙКА (включен Bluetooth)
 - ЖЪЛТО: Актуализация на фирмуера в ход
 - НЕПРЕКЪЧАТО ЧЕРВЕНО: Обща грешка
 - МИГАЩО БЯЛО: Процедура за нулиране в ход

- UA**
- СВІТЛО СІНИЙ: РЕЖИМ НАЛАШТУВАННЯ (Bluetooth увімкнено)
 - ЖОВТИЙ: триває оновлення мікропрограми
 - БЕЗПЕРЕВНИЙ ЧЕРВОНИЙ: загальна помилка
 - БЛИМАННЯ ЧЕРВОНИМ: режим Wi-Fi, не вдалося підключитися
 - СВІТЛО СІНИЙ: РЕЖИМ НАЛАШТУВАННЯ (Bluetooth увімкнено)
 - ЖОВТИЙ: триває оновлення мікропрограми
 - БЕЗПЕРЕВНИЙ ЧЕРВОНИЙ: загальна помилка
 - БЛИМАННЯ БІЛИМ: виконується скидання
 - НЕМИГАЮЩИЙ ЗЕЛЕНИЙ: режим точки доступу, підключено
 - БЛИМАННЯ ЗЕЛЕНИМ: режим точки доступу, немає підключених пристроїв
 - БЕЗПЕРЕВНИЙ СІНИЙ: режим Wi-Fi, підключено
 - БЛИМАННЯ СІНИМ: режим Wi-Fi, підключення встановлюється
 - БЛИМАННЯ ЧЕРВОНИМ: режим Wi-Fi, не вдалося підключитися
 - НЕМИГАЮЩИЙ СІНИЙ: режим Wi-Fi, підключення встановлюється
 - БЛИМАННЯ ЧЕРВОНИМ: режим Wi-Fi, підключення встановлюється
 - БЛИМАННЯ БІЛИМ: виконується скидання
 - НЕМИГАЮЩИЙ ЗЕЛЕНИЙ: режим точки доступа, подключен
 - МИГАЮЩИЙ ЗЕЛЕНИЙ: режим точки доступа, нет подключенных устройств
 - НЕМИГАЮЩИЙ СИНИЙ: режим Wi-Fi, подключен
 - МИГАЮЩИЙ СИНИЙ: режим Wi-Fi, выполняется соединение
 - МИГАЮЩИЙ КРАСНЫЙ: режим Wi-Fi, подключение невозможно
 - ГОЛУБОЙ: Режим НАСТРОЙКИ (Bluetooth включен)
 - ЖЕЛТЫЙ: Идет обновление прошивки
 - НЕМИГАЮЩИЙ КРАСНЫЙ: Общая ошибка
 - МИГАЮЩИЙ БЕЛЫЙ: Выполняется процедура сброса.

- DE**
- GRÜN ERLEUCHTET: Direkter Wi-Fi-Modus, verbunden
 - GRÜN BLINKEND: Direkter Wi-Fi-Modus, kein Gerät verbunden
 - BLAU ERLEUCHTET: Heim-Wi-Fi-Netzwerkmodus, verbunden
 - BLAU BLINKEND: Heim-Wi-Fi-Netzwerkmodus, Verbindung wird hergestellt
 - ROT BLINKEND: Heim-Wi-Fi-Netzwerkmodus, keine Verbindung möglich
 - HELLBLAU: SETUP-MODE (Bluetooth EIN)
 - GELB: Firmware wird aktualisiert
 - ROT ERLEUCHTET: Allgemeiner Fehler
 - WEISS BLINKEND: Vorgang wird zurückgesetzt

- NL**
- CONTINU GROEN: Directe Wi-Fi modus - verbonden
 - GROEN KNIPPEREN: Directe Wi-Fi modus, geen apparaat aangesloten
 - CONTINU BLAUW: Thuis Wi-Fi-netwerkmodus, verbonden
 - BLAUW KNIPPEREN: Thuis Wi-Fi-netwerkmodus, bezig met verbinden
 - ROOD KNIPPEREN: Thuis Wi-Fi-netwerkmodus, niet in staat om verbinding te maken
 - CYAAN: SETUP modus (Bluetooth aan)
 - GEEL: Firmware update wordt uitgevoerd
 - CONTINU ROOD: algemene fout
 - WIT KNIPPEREN: resetprocedure wordt uitgevoerd

- ES**
- LUZ VERDE FIJA: Modo Wi-Fi directo, conectado
 - LUZ VERDE INTERMITENTE: Modo Wi-Fi directo, no hay ningún dispositivo conectado
 - LUZ AZUL FIJA: Modo de red wifi doméstica, conectado
 - LUZ AZUL INTERMITENTE: Modo de red wifi doméstica, conectándose
 - LUZ ROJA FIJA: Modo de red wifi doméstica, imposible conectarse
 - AZUL: modo de CONFIGURACIÓN (Bluetooth encendido)
 - AMARILLO: firmware actualizándose
 - LUZ ROJA FIJA: error general
 - LUZ BLANCA INTERMITENTE: procedimiento de reinicio en curso

- CS**
- NEPŘETRŽITÁ ZELENÁ: Režim AP, připojeno
 - BLIKAJÍCÍ ZELENÁ: režim AP, není připojeno žádné zařízení
 - NEPŘETRŽITÁ MODRÁ: režim Wi-Fi, připojeno
 - BLIKAJÍCÍ MODRÁ: režim Wi-Fi, probíhá připojení
 - BLIKAJÍCÍ ČERVENÁ: režim Wi-Fi, nelze se připojit
 - SVĚTLÉ MODRÁ: REŽIM NASTAVENÍ (Bluetooth ZAPNUTÝ)
 - ŽLUTÁ: Probíhá aktualizace firmwaru
 - NEPŘETRŽITÁ ČERVENÁ: Obecná chyba
 - BLIKAJÍCÍ BÍLÁ: Prohibní resetovací procedura

- GR**
- ΣΥΝΕΧΗΣ ΠΡΑΣΙΝΟ: Λειτουργία Direct Wi-Fi, συνδεδεμένο
 - Αναβοήθνητε με πράσινο χρώμα: Άμεση λειτουργία Wi-Fi, δεν υπάρχει συνδεδεμένη συσκευή
 - ΣΥΝΕΧΟΣ ΜΠΛΕ: Λειτουργία οικιακού δικτύου Wi-Fi, συνδεδεμένη
 - ΜΠΛΕ αναβοήθνητε: Λειτουργία οικιακού δικτύου Wi-Fi, σύνδεση σε εξέλιξη
 - ΚΟΚΚΙΝΟ ΤΟΥΤ ΑΝΑΒΟΣΘΗΝΕΙ: Λειτουργία οικιακού δικτύου Wi-Fi, αδύναμα σύνδεσης
 - ΜΠΛΕ ΦΩΤΙΣΜΟ: ΛΕΙΤΟΥΡΓΙΑ ΡΥΘΜΙΣΗΣ (Bluetooth ενεργοποιημένο)
 - ΚΙΤΡΙΝΟ: Εμφάνιση ενημερωτικού σε εξέλιξη
 - ΣΥΝΕΧΗΣ ΚΟΚΚΙΝΟ: Γενικό σφάλμα
 - ΛΕΥΚΟ αναβοήθνητε: Διαδικασία επαναφοράς σε εξέλιξη

- JP**
- CONTINUOUS GREEN : Direct-Wi-Fiモード、接続中
 - 緑色の点滅 : Direct Wi-Fiモード、デバイスが接続されていません。
 - CONTINUOUS BLUE : ホームWi-Fiネットワークモード、接続中
 - 青く点滅 : ホームWi-Fiネットワークモード、接続中
 - 赤色で点滅しています。ホームWi-Fiネットワークモード、接続できない
 - 水色 : SETUP MODE (Bluetooth ON)
 - 黄色です。ファームウェアアップデート中
 - コンティニューアスレッド 一般的なエラー
 - 白色で点滅 : リセット処理中
 - CONTINUOUS GREEN : Direct-Wi-Fiモード、接続中
 - 緑色の点滅 : Direct Wi-Fiモード、デバイスが接続されていません。
 - CONTINUOUS BLUE : ホームWi-Fiネットワークモード、接続中
 - 青く点滅 : ホームWi-Fiネットワークモード、接続中
 - 赤色で点滅しています。ホームWi-Fiネットワークモード、接続できない
 - 水色 : SETUP MODE (Bluetooth ON)
 - 黄色です。ファームウェアアップデート中
 - コンティニューアスレッド 一般的なエラー
 - 白色で点滅 : リセット処理中

- PT**
- CONTINU GROEN: Directe Wi-Fi modus - verbonden
 - GROEN KNIPPEREN: Directe Wi-Fi modus, geen apparaat aangesloten
 - CONTINU BLAUW: Thuis Wi-Fi-netwerkmodus, verbonden
 - BLAUW KNIPPEREN: Thuis Wi-Fi-netwerkmodus, bezig met verbinden
 - ROOD KNIPPEREN: Thuis Wi-Fi-netwerkmodus, niet in staat om verbinding te maken
 - CYAAN: SETUP modus (Bluetooth aan)
 - GEEL: Firmware update wordt uitgevoerd
 - CONTINU ROOD: algemene fout
 - WIT KNIPPEREN: resetprocedure wordt uitgevoerd

- DA**
- FORTSAT GRØN: AP-tilstand, tilsluttet
 - BLINKENDE GRØN: AP-tilstand, ingen enhed tilsluttet
 - FORTSAT BLÅ: Wi-Fi-tilstand, tilsluttet
 - BLINKENDE BLÅ: Wi-Fi-tilstand, forbindelse er i gang
 - BLINKENDE RØD: Wi-Fi-tilstand, kan ikke oprette forbindelse
 - LYSEBLÅ: OPSÆTNINGSTILSTAND (Bluetooth TIL)
 - GUL: Firmwareopdatering er i gang
 - KONTINUERLIG RØD: Generel fej
 - BLINKENDE HVID: Nulstillingprocedure er i gang

- FI**
- PALAA VIHREÄNÄ: AP-tila, yhdistetty
 - VIHKUVA VIHREÄ: AP-tila, laiteita ei ole kytketty
 - PALAA SINISENÄ: Wi-Fi-tila, yhdistetty
 - VIHKUVA SININEN: Wi-Fi-tila, yhteyttä muodostetaan
 - VIHKUVA PUNAISEN: Wi-Fi-tila, yhteyttä ei voi muodostaa
 - VAALEANSININEN: ASETUSTILA (Bluetooth PÄÄLLÄ)
 - KELTAINEN: Laiteohjelmistopäivitys käynnissä
 - PALAA PUNAISENÄ: Yleinen virhe
 - VIHKUVA VALKOINEN: Nollaus on käynnissä

- HU**
- FOLYAMATOS ZÖLD: AP mód, csatlakoztatva
 - VILLOGO ZÖLD: AP mód, nincs csatlakoztatva eszköz
 - FOLYAMATOS KÉK: Wi-Fi mód csatlakoztatva
 - VILLOGO KÉK: Wi-Fi mód, a kapcsolódás folyamatban van
 - VILLOGO VÖRÖS: Wi-Fi mód, nem lehet csatlakozni
 - VILÁGOS KÉK: BEÁLLÍTÁSI MÓD (Bluetooth BE)
 - SÁRGA: A firmware frissítése folyamatban van
 - FOLYAMATOS VÖRÖS: Általános hiba
 - VILLOGÓ FEHÉR: Visszaállítási eljárás folyamatban van

- TR**
- SÜREKLİ YEŞİL: Doğrudan Wi-Fi modu, bağlı
 - YEŞİL SÖNEN YEŞİL: Doğrudan Wi-Fi modu, bağlı
 - CHAS YÖK
 - SÜREKLİ MAVİ: Ev Wi-Fi ağı modu, bağlı
 - YANIP SÖNEN MAVİ: Ev Wi-Fi ağı modu, bağlantı devam ediyor
 - KIRMIZI YANIP SÖNÜYOR: Ev Wi-Fi ağı modu, bağlantılanıyor
 - AÇIK MAVİ: KURULUM MODU (Bluetooth AÇIK)
 - SARI: Ürün Yazılım Güncellemesi devam ediyor
 - SÜREKLİ KIRMIZI: Genel hata
 - YANIP SÖNEN BEYAZ: Sifirlama prosedürü devam ediyor

- KR**
- 계속 녹색: 직접 Wi-Fi 모드, 연결됨
 - 녹색 깜빡임: 직접 Wi-Fi 모드, 기기 연결되지 않음
 - 계속 파란색: 홈 Wi-Fi 네트워크 모드, 연결됨
 - 파란색 점멸: 홈 Wi-Fi 네트워크 모드, 연결 진행 중
 - 빨간색 점멸: 홈 Wi-Fi 네트워크 모드, 연결할 수 없음
 - 연한 파란색: 설정 모드 (블루투스 켜짐)
 - 노란색: 펌웨어 업데이트 진행 중
 - 계속 빨간색: 일반 오류
 - 흰색 점멸: 재설정 절차 진행 중
 - SÜREKLİ YEŞİL: Doğrudan Wi-Fi modu, bağlı
 - YEŞİL SÖNEN YEŞİL: Doğrudan Wi-Fi modu, bağlı
 - CHAS YÖK
 - SÜREKLİ MAVİ: Ev Wi-Fi ağı modu, bağlı
 - YANIP SÖNEN MAVİ: Ev Wi-Fi ağı modu, bağlantı devam ediyor
 - KIRMIZI YANIP SÖNÜYOR: Ev Wi-Fi ağı modu, bağlantılanıyor
 - AÇIK MAVİ: KURULUM MODU (Bluetooth AÇIK)
 - SARI: Ürün Yazılım Güncellemesi devam ediyor
 - SÜREKLİ KIRMIZI: Genel hata
 - YANIP SÖNEN BEYAZ: Sifirlama prosedürü devam ediyor

- SV**
- LYSER GRÖNT: anslutningsläge, anslutet
 - BLINKAR GRÖNT: anslutningsläge, ingen enhet ansluten
 - LYSER BLÅTT: Wi-Fi-läge, anslutet
 - BLINKAR BLÅTT: Wi-Fi-läge, anslutning pågår
 - BLINKAR RÖTT: Wi-Fi-läge, kan inte ansluta
 - LJUSBLÅTT: KONFIGURATIONS-LÄGE (Bluetooth PÅ)
 - GULT: Uppdatering av fast programvara pågår
 - LYSER RÖTT: Allmän fel
 - BLINKAR HVITT: Återställning pågår

- NO**
- KONTINUERLIG GRØNT: AP-modus, tilkoblet
 - BLINKER GRØNT: AP-modus, ingen enhet tilkoblet
 - KONTINUERLIG BLÅTT: Wi-Fi-modus, tilkoblet
 - BLINKER BLÅTT: Wi-Fi-modus, tilkobling pågår
 - BLINKER RØTT: Wi-Fi-modus, kan ikke kobles til
 - LYSEBLÅTT: OPPSETTSMODUS (Bluetooth PÅ)
 - GULT: Fastveareoppdatering pågår
 - KONTINUERLIG RØDT: Generell feil
 - BLINKER HVITT: Tilbakstillingsprosedyre pågår

- IS**
- STÖÐLUG GRÆNT: AP stilling, tengt
 - BLIKANDI GRÆNT: AP stilling, ekkert tæki tengt
 - STÖÐLUG BLÁTT: Wi-Fi stilling, tengt
 - BLIKANDI BLÁTT: Wi-Fi stilling, tenging í gangi
 - BLINKANDI RAÚTT: Wi-Fi stilling, ekkí hægt að tengjast
 - LJÓSBLÁTT: UPPSETNING (Bluetooth KVEIKT)
 - GULT: Uppsetning fastbúnaðar í gangi
 - STÖÐLUG RAÚTT: Almenn villa
 - BLIKKANDI HVÍTT: Endurstilling í gangi

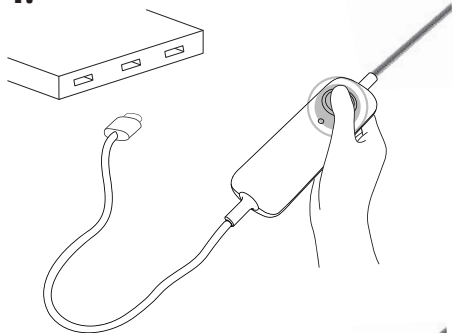
- RO**
- VERDE CONTINUU: modul AP, conectat
 - VERDE INTERMITENT: modul AP, niciun dispozitiv conectat
 - ALBASTRU CONTINUU: modul AP, conectat
 - ALBASTRU INTERMITENT: modul Wi-Fi, conexiune în curs
 - ROȘU INTERMITENT: modul Wi-Fi, nu se poate conecta
 - ALBASTRU DESCHIS: MOD CONFIGURARE (Bluetooth PORȚIT)
 - GALBEN: Actualizare firmware în curs
 - ROȘU CONTINUU: Eroare generală
 - ALB INTERMITENT: Procedura de resetare este în curs

- PL**
- STALE ZIELONE: tryb Punktu dostępowego - załączone
 - MIGAJĄCE ZIEŁONE: tryb Punktu dostępowego - zadane urządzenie nie jest podłączone
 - STALE NIEBIESKIE: tryb Wi-Fi, połączono
 - MIGAJĄCE NIEBIESKIE: tryb Wi-Fi, połączenie w toku
 - MIGAJĄCE CZERWONE: tryb Wi-Fi, brak możliwości połączenia
 - NIEBIESKIE: TRYB USTAWIENIA (Bluetooth włączony)
 - ŻÓŁTE: Aktualizacja oprogramowania sprzętowego w toku
 - STALE CZERWONE: Błąd ogólny
 - BIAŁE MIGAJĄCE: Procedura resetowania w toku

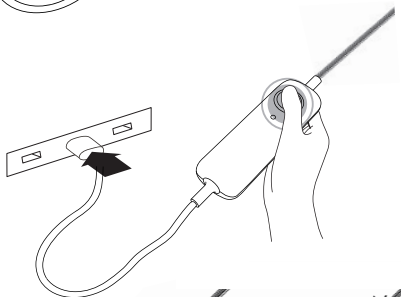
reset twinkly

RESET TWINKLY / RIPRISTINARE TWINKLY / RÉINITIALISER TWINKLY / TWINKLY ZURÜCKSETZEN / TESTABLECER TWINKLY / REINICIALIZAR TWINKLY / TWINKLY RESETTEN / NOLLA TWINKLY / NULSTIL TWINKLY / ÅTERSTÄLL TWINKLY / TILBAKESTILL TWINKLY / TWINKLY ENDURSTILLT / PONASTAVITEV TWINKLY / RESEITUJE TWINKLY / RESEITUJE TWINKLY / ΕΠΑΝΑΦΟΡΑ TWINKLY / PARILTIYI SIFIRLA / A TWINKLY VISSZAÁLLÍTÁSA / RESETEAZĂ TWINKLY / НУЛИРАНЕ НА TWINKLY / RESETRAJTE TWINKLY / ZRESETOWAĆ PRODUKT / SKIDANНЯ TWINKLY / СБРОС TWINKLY / リセットインクリー / 반쪽반쪽 재설정

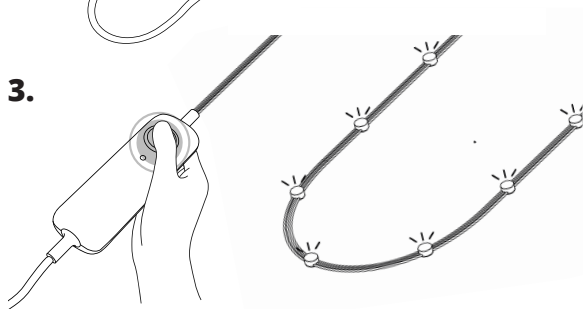
1.



2.



3.



- EN**
1. Unplug Twinkly from the power socket. Press and hold the controller button.
 2. While holding the button, plug in Twinkly.
 3. Keep holding the button until all LEDs turn red (or amber for Gold Edition), then release the button.

- IT**
1. Stacca Twinkly dalla presa di corrente, premi e continua a mantenere premuto il bottone del controller.
 2. Mentre stai ancora premendo il bottone, collega nuovamente Twinkly alla corrente.
 3. Continua a tenere premuto il pulsante fino a quando tutti i LED diventano rossi (o gialli per Gold Edition), quindi rilascia il pulsante.

- FR**
1. Débranchez Twinkly puis appuyez sur le bouton du contrôleur et gardez-le enfoncé.
 2. Tout en maintenant le bouton enfoncé, rebranchez Twinkly.
 3. Maintenez le bouton enfoncé jusqu'à ce que tous les voyants deviennent rouges (ou orange pour Gold Edition), puis relâchez le bouton.

- DE**
1. Ziehen Sie Twinkly aus der Steckdose und halten Sie die Controller-Taste gedrückt.
 2. Schließen Sie bei gehaltenem Taste Twinkly wieder an das Stromnetz an.
 3. Halten Sie die Taste gedrückt, bis alle LEDs rot leuchten (oder gelb für Gold Edition), und lassen Sie dann die Taste los..

- NL**
1. Haal de stekker van Twinkly uit het stopcontact en houd de knop van de controller ingedrukt.
 2. Steek de stekker van Twinkly terug in het stopcontact, terwijl u de knop ingedrukt houdt.
 3. Blijf de knop ingedrukt houden totdat alle LED's rood worden (of oranje voor de Gold Edition) en laat de knop vervolgens los.

- ES**
1. Desenchufe Twinkly de la toma de corriente, presione y mantenga presionado el botón del controlador.
 2. Mientras todavía sigue presionando el botón, conecte de nuevo Twinkly a la corriente.
 3. Mantenga presionado el botón hasta que todos los LED se vuelvan rojos (o ámbar para Gold Edition), luego suelte el botón.

- PT**
1. Desligar Twinkly da tomada elétrica. Manter premido o botão controlador.
 2. Enquanto mantém premido o botão, ligar Twinkly.
 3. Manter premido o botão até todos os LEDs ficarem vermelhos (ou âmbar para Gold Edition), depois soltar o botão.

- DA**
1. Træk Twinkly ud af stikkontakten. Tryk og hold kontrolknappen nede.
 2. Mens du holder knappen nede, skal du tilslutte Twinkly.
 3. Bliv ved med at holde knappen nede, indtil alle lysdioder lyser rødt (eller gult ved Gold Edition), og slip derefter knappen.

- FI**
1. Irrota Twinkly pistorasiasta. Paina säätimen painiketta pitkään.
 2. Pidä painiketta painettuna ja kytke Twinkly pistorasiaan.
 3. Pidä painiketta edelleen painettuna, kunnes kaikki LEDit muuttuvat punaisiksi (tai kullannuskeiksi Gold Edition -versioissa), ja vapauta sitten painike.

- SV**
1. Koppla ur Twinkly från eluttaget. Tryck på styrenhetsknappen och håll nedtryckt.
 2. Anslut Twinkly medan knappen är nedtryckt.
 3. Fortsätt hålla knappen nedtryckt tills alla LED-lampor lyser rött (eller gult i guldversionen) och släpp sedan knappen.

- NO**
1. Koble Twinkly fra stikkontakten. Trykk og hold inne kontrollknappen.
 2. Mens du holder inne knappen, kobler du til Twinkly.
 3. Fortsett å holde knappen inne til alle lysdioder blir røde (eller gul for Gold Edition), og slipp deretter knappen.

- IS**
1. Taktu Twinkly úr sambandi úr rafmagn. Ýttu á og haltu niðri hnappinum á stýringunni.
 2. Settu Twinkly í samband á meðan þú heldur hnappinum niðri.
 3. Haltu hnappinum áfram niðri þar til öll LED ljósín verða rauð (eða rafgul fyrir Gold Edition). Slepptu síðan hnappinum.

- SL**
1. Lučke Twinkly odklopite iz vtičnice. Pritisnite in pridržite gumb na upravljalniku.
 2. Medtem ko držite gumb, priklonite lučke Twinkly.
 3. Držite gumb, dokler vse lučke LED ne svetijo rdeče (oziroma oranžno pri različici Gold Edition), nato pa spustite gumb.

- SK**
1. Odpojte Twinkly zo sieťovej zásuvky. Stlačte a podržte ovládacie tlačidlo.
 2. Držte stlačené tlačidlo a zapojte Twinkly.
 3. Držte tlačidlo stlačené, kým všetky LED nesvietia načerveno (alebo žlté pre Gold Edition), potom tlačidlo pusťte.

- CS**
1. Odpojte Twinkly ze zásuvky. Stiskněte a podržte ovládací tlačítko.
 2. Příklad tlačítka a zapojte Twinkly.
 3. Držte tlačítko stisknuté, dokud všechny LED diody nezčervenají (nebo se nezmění na jantarovou barvu ve verzi Gold Edition), poté tlačítko uvolněte.

- HU**
1. Húzza ki Twinkly csatlakozót a konnektorból. Nyomja le és tartsa nyomva a vezérlő gombot.
 2. Miközben lenyomva tartja a gombot, csatlakoztassa a Twinkly-t.
 3. Tartsa továbbra is lenyomva a gombot, amíg az összes LED pirosra nem vált (vagy a Gold Edition esetében borostyánsárga színre), majd engedje fel a gombot.

- RO**
1. Deconectează Twinkly de la priză. Apasă și menține apăsat butonul controlerului.
 2. În timp ce menții apăsat butonul, conectează Twinkly.
 3. Ține apăsat butonul până când toate LED-urile devin roșii (sau chihlimbar pentru Gold Edition), apoi dă drumul butonului.

- BG**
1. Изключете Twinkly от електрическия контакт. Натиснете и задръжте бутона на контролера.
 2. Докато държите бутона, включете Twinkly.
 3. Задръжте бутона, докато всички светодиоди станат червени (или хехлибарени за Gold Edition), след което отпуснете бутона.

- HR**
1. Isključite Twinkly iz utičnice. Pritisnite i držite gumb kontrolera.
 2. Dok držite gumb, uključite Twinkly.
 3. Držite gumb dok sve LED diode ne postanu crvene (ili jantarne za Gold Edition), a zatim otpustite gumb.

- GR**
1. Αποσυνδέστε το Twinkly από την πρίζα. Πατήστε και κρατήστε πατημένο το κουμπί του χειριστήριου.
 2. Ενώ κρατάτε πατημένο το κουμπί, συνδέστε το Twinkly στην πρίζα.
 3. Κρατήστε πατημένο το κουμπί μέχρι όλες οι λυχνίες LED να γίνουν κόκκινες (ή πορτοκαλί για την έκδοση Gold Edition) και, στη συνέχεια, αφήστε το κουμπί.

- TR**
1. Twinkly'nin fişini prizden çekin. Kumanda düğmesine basın ve basılı tutun.
 2. Düğmeyi basılı tutarken Twinkly'yi prize takın.
 3. Tüm LED'ler kırmızıya (veya Gold Edition için kehribar rengine) dönene kadar düğmeyi basılı tutun, ardından düğmeyi bırakın.

- PL**
1. Wyłącz Twinkly z gniazda elektrycznego. Naciśnij i przytrzymaj wciśnięty przycisk sterownika.
 2. Przytrzymując przycisk, podłącz ponownie Twinkly do prądu.
 3. Przytrzymaj wciśnięty przycisk, aż wszystkie DIODY zmienią kolor na czerwony (lub żółty w przypadku Gold Edition), a następnie zwolnij przycisk.

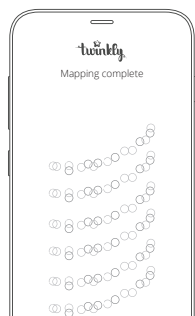
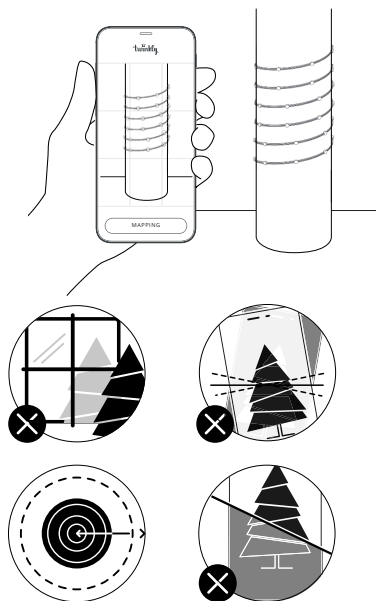
- UA**
1. Від'єднайте Twinkly від електромережі. Натисніть і утримуйте кнопку на контролері.
 2. Утримуючи кнопку натиснутою, підключіть Twinkly до електромережі.
 3. Продовжуйте утримувати цю кнопку, доки всі світлодіоди не запалують червоним кольором (або бурштиновим, якщо у вас Gold Edition). Після цього відпустіть кнопку.

- RU**
1. Отключите Twinkly от розетки. Нажмите и удерживайте кнопку контроллера.
 2. Удерживая кнопку, вновь подключите Twinkly к сети.
 3. Удерживайте кнопку, пока все светодиоды не загорятся красным (или желтым для Gold Edition), затем отпустите кнопку.

- JP**
1. Twinklyを電源ソケットから抜く。コントローラーのボタンを押し続ける。
 2. ボタンを押したまま、Twinklyを接続します。
 3. すべてのLEDが赤色 (Gold Editionは琥珀色) になるまでボタンを押し続け、ボタンを離す。

- KR**
1. 전원 소켓에서 Twinkly의 플러그를 뽑습니다. 컨트롤러 버튼을 길게 누릅니다.
 2. 버튼을 누른 상태에서 Twinkly를 꽂습니다.
 3. 모든 LED가 빨간색(골드 에디션의 경우 호박색)으로 바뀔 때까지 버튼을 누르고 있다가 버튼을 놓습니다.

mapping



MAPPING / MAPPATURA / CARTOGRAPHIE / ZUORDNUNG / MAPEADO / CARTOGRAFIA / IN KAART BRENGEN / KARTOITUS / KORTLÆGNING / LAYOUT / KARTLEGGING / KORTLAGNING / PRESLIKAVA / MAPOVANIE / MAPOVÁNÍ / FELTÉRKÉPEZÉS / CARTOGRAFIERE / КАРТОГРАФИРАНЕ / KARTIRANJE / ΧΑΡΤΟΓΡΑΦΗΣΗ / HARITALAMA / MAPOWANIE / СКЛАДАННЯ КАРТ СВИТЛОДИОДІВ / ОПРЕДЕЛЕНИЕ ПОЛОЖЕНИЯ СВЕТОДИОДОВ / マッピング / 매핑

- EN** Map the layout of your decoration to unlock the full potential of your Twinkly lights, such as advanced effects, drawing, and many upcoming features.
- IT** Mappa il layout della tua decorazione per sbloccare il pieno potenziale delle tue luci Twinkly con effetti avanzati, disegno e nuove funzionalità in arrivo.
- FR** Cartographiez la disposition de votre décoration pour libérer tout le potentiel de vos lumières Twinkly comme les effets avancés, le dessin et de nombreuses fonctionnalités à venir.
- DE** Ordnen Sie das Layout Ihrer Dekoration zu, um das volle Potenzial Ihrer Twinkly-Leuchten wie erweiterte Effekte, Zeichnen und viele weitere in Kürze verfügbaren Funktionen zu nutzen.
- NL** Breng de lay-out van je decoratie in kaart om alle mogelijkheden van je Twinkly-verlichting te benutten, zoals geavanceerde effecten, tekenen en tal van toekomstige functies.
- ES** Mapea el diseño de tu decoración para desbloquear todo el potencial de tus luces Twinkly, como los efectos avanzados, el dibujo y muchas otras funciones futuras.
- PT** Mapeie a disposição da sua decoração para desbloquear todo o potencial das suas luzes Twinkly, tais como efeitos avançados, desenho, e muitas características futuras.
- DA** Kortlæg layoutet af din dekoration for at få adgang til det fulde potentiale af dine Twinkly-lys, såsom avancerede effekter, tegning og mange kommende funktioner.
- FI** Kartoiita kristelusi asettelu ja koe Twinkly-valojen koko potentiaali, kuten edistyneet efektit, piirtäminen ja monet tulevat ominaisuudet.
- SV** Ange dekorationsens layout för att få ut så mycket som möjligt från dina Twinkly-lampor, till exempel avancerade effekter, ritningsfunktion och många kommande funktioner.
- NO** Kartlegg utformingen av dekorasjonen din for å få ut det fulle potensialet til Twinkly-lysene dine, som avanserte effekter, tegninger og mange kommende funksjoner.
- IS** Kortleggðu uppsetningu ljósaskreytingarinnar til að nýta til fulls alla möguleika Twinkly ljósanna, til dæmis flóknar stillingar, teikningar og marga væntanlega eiginleika.
- SL** Preslikajte postavitev svoje dekoracije in izkoristite celoten potencial svojih lučk Twinkly, kot so napredni učinki, risanje in številne prihajajoče funkcije.
- SK** Zmapujte rozloženie vašej dekorácie, aby ste odomkli celý potenciál svojich svetiel Twinkly, ako sú pokročilé efekty, kreslenie a mnoho pripravovaných funkcií.
- CS** Zmapujte rozvržení dekorace a odhalte plný potenciál svých blikajících světel, jako jsou pokročilé efekty, kreslení a mnoho dalších plánovaných funkcí.
- HU** Térképezze fel a dekorációja elrendezését, hogy kihasználhassa a Twinkly lámpáiban rejlő teljes potenciált, például a különleges effektusokat, rajzokat és számos készülöben lévő funkciót.
- RO** Cartografiază aspectul decoratiunii tale pentru a debloca întregul potențial al luminilor tale Twinkly, cum ar fi efecte avansate, desene și multe funcții viitoare.
- BG** Направете карта на оформлението на декорацията си, за да разкриете пълния потенциал на своите Twinkly светлини, като например усъвършенствани ефекти, рисуване и много предстоящи функции.
- HR** Mapirajte izgled svog ukrasa kako biste otključali puni potencijal svojih Twinkly svjetala, poput naprednih efekata, crteža i mnogih nadolazećih značajki.
- GR** Χαρτογραφήστε τη διάταξη της διακόσμησης σας για να ξεκλειδώσετε όλες τις δυνατότητες των Twinkly φώτων σας, όπως προηγμένα εφέ, σχεδίαση και πολλές επερχόμενες λειτουργίες.
- TR** Gelişmiş efektler, çizim ve gelecek birçok özelliği gibi Twinkly ışıklarınızın tüm potansiyelini ortaya çıkarmak için dekorasyonunuzun düzenini eşleştirin.
- PL** Zmapowanie układu dekoracji pozwala odblokować pełny potencjał światel Twinkly, np. zaawansowane efekty, rysowanie i wiele więcej nadchodzących funkcji.
- UA** Нанесіть свою декорацію на карту, щоб скористатися всіма можливостями вогнів Twinkly – розширеними ефектами, малюванням та іншими майбутніми функціями.
- RU** Определите положение гирлянд в пространстве, чтобы раскрыть весь потенциал Twinkly, например, получить доступ к сложным эффектам, рисованию собственных эффектов и множеству других возможностей.
- JP** デコレーションのレイアウトをマッピングして、高度なエフェクトや描画、今後搭載される多くの機能など、Twinklyライトの可能性を最大限に引き出します。
- KR** 장식의 레이아웃을 매핑하여 고급 효과, 그림 그리기 및 향후 출시될 다양한 기능 등 트윙클 조명의 잠재력을 최대한 활용하세요.

RGB

TWD0605TP-B	TWD0605TP-T	TWD1005TP-B	TWD1005TP-T		
-------------	-------------	-------------	-------------	--	--



FR
Cet appareil et
ses accessoires
sont recyclables

À DÉPOSER
EN MAGASIN



À DÉPOSER
EN DÉCHÈTERIE



Points de collecte sur www.quefairedemesdechets.fr



 help.twinkly.com

MORE INFO | ULTERIORI INFORMAZIONI | PLUS D'INFORMATIONS | MEHR INFO | MEER INFORMATIE | MÁS INFORMACIÓN | MAIS INFORMAÇÕES | FLERE
OPLYSNINGER | LISÄTIETOJA | MER INFORMATION | MER INFORMASJON | FREKARI UPPLÝSINGAR | VEČ INFORMACIJ | VIAC INFORMÁCIÍ | VÍCE INFORMACÍ
| TOVÁBBI INFORMÁCIÓK | MAI MULTE INFORMAȚII | ПОВЕЧЕ ИНФОРМАЦИЯ | VIŠE INFORMACIJA | ΠΕΡΙΣΣΟΤΕΡΕΣ ΠΛΗΡΟΦΟΡΙΕΣ | DAHA FAZLA BILGI |
WIĘCEJ INFORMACJI | ОДАТКОВІ ВІДОМОСТІ | ОПОЛНИТЕЛЬНЫЕ СВЕДЕНИЯ | 詳細 | 자세한 정보

FCC ID: 2AC7Z-ESP32WROOM32E